

Promoting health and wellness, **PERFEKTBeam2** imitates sunlight to synchronize your circadian clock. The color temperature and spectrum changes throughout the day to match sunlight, stimulating or suppressing melatonin production†.

The breakthrough lighting technology behind this innovation is **PERFEKTLight**; a patent pending core technology for tunable white LED fixtures. Using a combination of cool white, warm white and green LEDs, **PERFEKTLight** corrects hue errors inherent to other tunable white technologies. Maintaining a position on the black body curve across the full color spectrum within 0.001Du'v', **PERFEKTBeam2** provides a high CRI (95 to 98) while automatically adjusting the color temperature between 2700K and 6000K over the course of the day.

With an integrated controller, the **PERFEKTBeam2** arrives synchronized to local time-of-day and provides a Set & Forget ease of use integration. During the twelve hour “perfekt” day, dimming can be adjusted via a standard 0 – 10 volt interface.



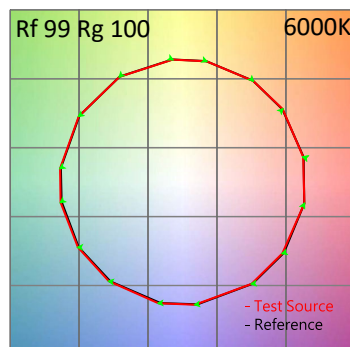
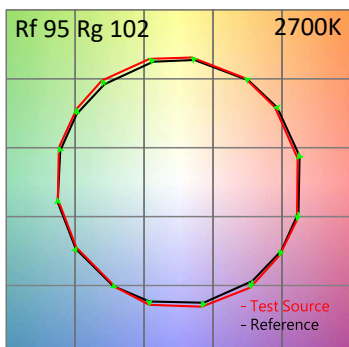
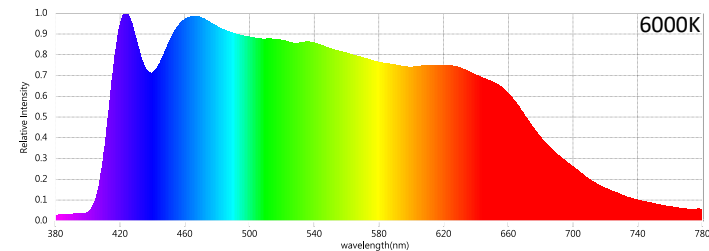
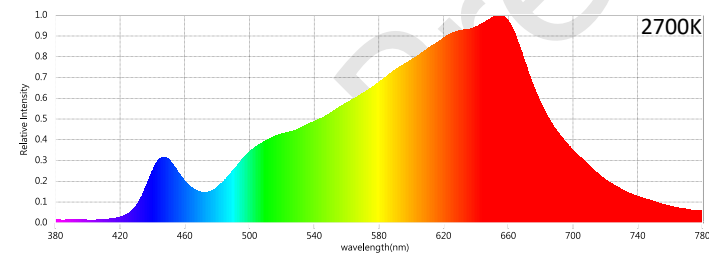
Features

- Mimics sunlight’s spectral distribution
- Corrects hue errors across the entire CCT range
- Automatically adjusts CCT throughout the day
- Provides a 12 hour “perfekt” day
- Simplified Set & Forget electronics
- Designed and manufactured in America

Specifications	
Input Voltage	120 or 277VAC / 24VDC
Power Supply	Internal / External
Dimming	0 - 10V Continuous down to 1%

Beam Angle	74° FWHM
Lens	Diffused Acrylic QMFZ2
Housing	Powdercoated Aluminum
Mounting	Suspension Cable
Continuous Run	Union every eight feet

Dimensions	48" or 96" L x 2" W x 3.3" H
Environmental Rating	Dry
Certifications	UL
Warranty _{Limited}	5 Years
Operating Temp	-40° to 120° F
Storage Temp	-40° to 150° F
Weight	1.2 lbs per foot



* All specifications subject to change without prior notification.

† In conjunction with emerging lighting design methodologies. Please contact Prolume for details.

Specifications

CCT Range ¹	2700K to 6000K	2000K to 6000K	2700K	3000K	3500K	4000K	5000K	6000K
Lumen Output	467 to 515 per ft	400 to 640 per ft	1000 per ft	1000 per ft	1000 per ft	1000 per ft	1000 per ft	1000 per ft
Color Deviation	0.001 Du'v' Typ. (<1 MacAdam's Ellipse Typ.)		3 Step					
Fidelity Rf	95 to 105 Typ.	90 to 110 Typ.	≥70	≥70	≥70	≥70	≥70	≥70
Gamut Rg	95 to 105 Typ.	90 to 110 Typ.	≥ 89	≥ 89	≥ 89	≥ 89	≥ 89	≥ 89
CRI	95 to 99 Typ.	85 to 95 Typ.	80+ or 90+	80+ or 90+	80+ or 90+	80+ or 90+	80+ or 90+	80+ or 90+
Power Consumption	6.5 to 7W per ft	6.5 to 7W per ft	8.4W per ft	8.4W per ft	8.4W per ft	8W per ft	8W per ft	8W per ft
Efficacy _{LM/W}	73 to 76	62 to 91	119	119	119	125	125	125

¹ Custom color ranges available upon request. Contact your local Prolume Agent for additional details.

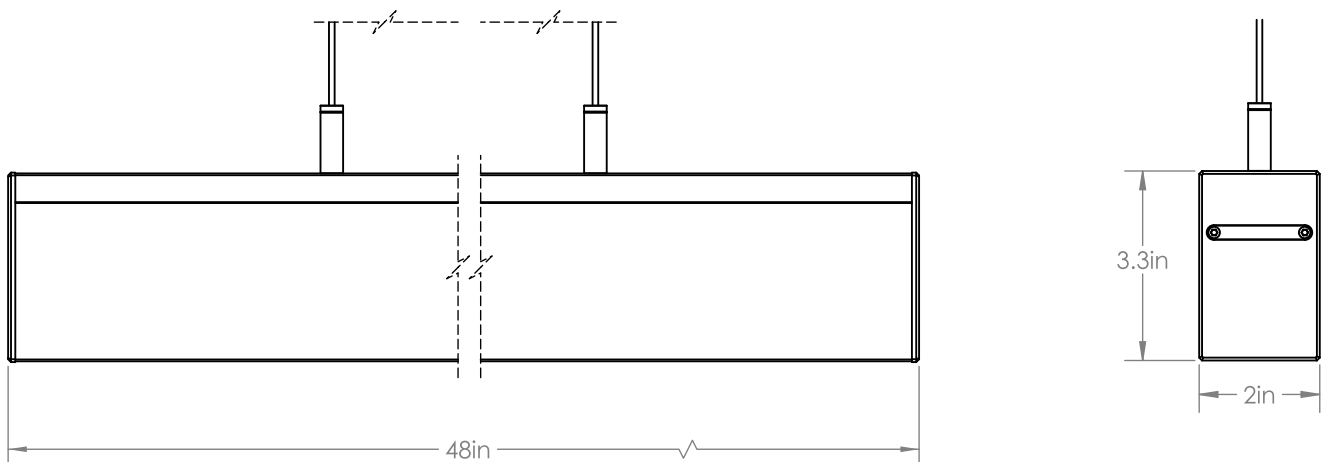
Ordering Information

Example: PB2S-04SW-952760-070D-PDIWI-G

Product ID	Length ¹	Output	Finish ²	CRI	White and Tunable CCT	Lens		Controller			Power Supply	Mounting Options	Accessory ⁵
						Beam Angle	Type	Type	Position	Interface			
PB2S	04 08	SO	White	95+ ³ 90+ 80+	2700K 3000K 3500K 4000K 5000K 6000K 2000K to 6000K 2700K to 6000K	070	Diffused	PERFEKTDay 2V Two 0-10V	Internal External	Wired Bluetooth⁴	Internal External	Grid Cable None	Blank - None Dual Dimmer Occupancy Sensor Daylight Sensor Day & Occ Sensor

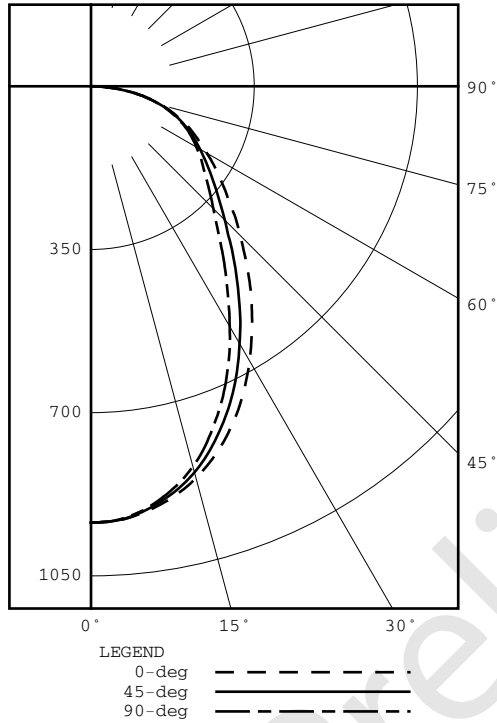
¹ Custom lengths available upon request.
² Custom finishes available upon request.
³ 95+ CRI option not available in 2000K
⁴ Only available with PERFEKTDay Controller option
⁵ Separate Accessory options with a dash (-)

Mechanical Drawings



Photometric Data

Polar Curves



Candela Distribution

Vertical Angles	Horizontal Angles				
	0	22.5	45	67.5	90
0	917	917	917	917	917
5	911	908	910	907	909
15	852	842	839	832	824
25	741	720	706	684	672
35	591	568	540	508	496
45	444	425	398	373	364
55	328	316	301	289	285
65	239	235	230	225	226
75	155	153	152	150	150
85	51	50	49	48	48
90	0	0	0	0	0

Zonal Lumens

Zone	Lumens
0	0
0-10	86
10-20	235
20-30	323
30-40	338
40-50	310
50-60	272
60-70	229
70-80	160
80-90	54
90	0

LUMENS: 2006lm
 LPW: 73 LPW
 CCT: 3500K
 WATTS: 27.5W

Part Number: PB2S-04SW-952760-070D-2VEWI-C
 Tested according to IESNA LM-79-2019

Mounting Options

