

Delivering sunlight indoors, the **PERFEKTBeam2** provides lighting that is indistinguishable from the sun. Using time of day and geographic information, **PERFEKTBeam2** synchronously changes color temperature throughout the day to match sunlight.

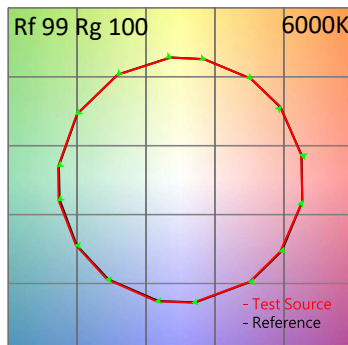
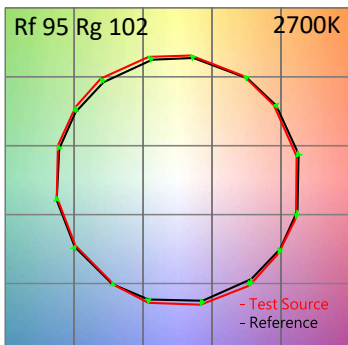
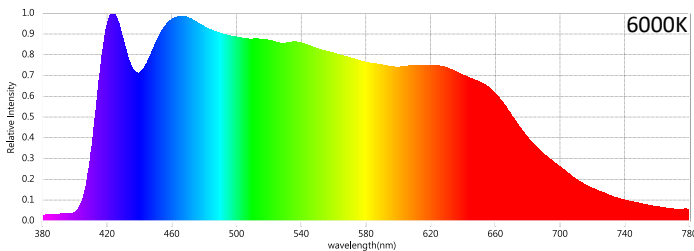
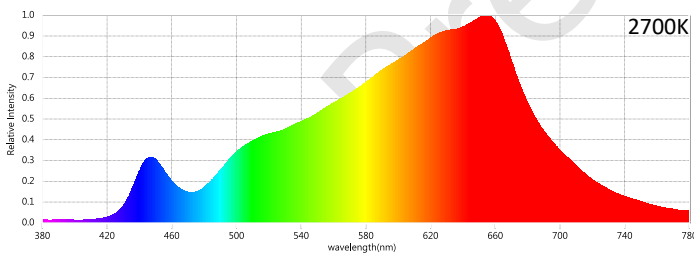
The breakthrough lighting technology behind this innovation is **PERFEKTLight**; a patent pending core technology for tunable white LED fixtures. Using a combination of cool white, warm white and green LEDs, **PERFEKTLight** corrects hue errors inherent to other tunable white technologies. Maintaining a position on the black body curve across the full color spectrum, **PERFEKTBeam2** provides a high CRI (95 to 98) while automatically adjusting the color temperature between 2700K and 6000K over the course of the day.

With an integrated controller, the **PERFEKTBeam2** arrives synchronized to local time-of-day and provides a set-and-forget ease of use integration. During the twelve hour “perfekt” day, dimming can be adjusted via a standard 0 – 10 volt interface.



Features

- Matches sunlight’s spectral distribution
- Corrects hue errors across the entire CCT range
- Automatically adjusts CCT throughout the day
- Provides a 12 hour “perfekt” day
- Simplified set and forget electronics
- Designed and manufactured in America



Specifications	
CCT Range	2700K to 6000K ¹
LED Pitch	0.42" Groupings
Lumen Output	2100 to 2400
CRI	95 to 99
Fidelity Rf	95 to 105
Gamut Rg	95 to 105
Color Deviation	Less than 0.001 Duv
Power Consumption	25.5 to 27.5W
Efficacy _{LM/W}	84 to 93
Input Voltage	120 or 277VAC / 24VDC
Power Supply	Internal / External
Connections	Connectors
Dimmable	Continuous down to 1%
On Board Dimming	0 - 10V

Beam Angle	74° FWHM
Lens	Diffused
Construction	Aluminum and Polycarbonate
Housing Finish	Anodized Aluminum
Mounting	Suspension Cable
Extender	Aluminum Union
Articulation	None

Dimensions	48" L x 2" W x 3.3" H
Environmental Rating	Damp
Certifications	UL
Warranty _{Limited}	5 Years
Operating Temp	-40° to 120° F
Storage Temp	-40° to 150° F
Weight	5 lbs

¹ Custom color ranges available upon request. Contact your local Prolume Agent for additional details.
* All specifications subject to change without prior notification.

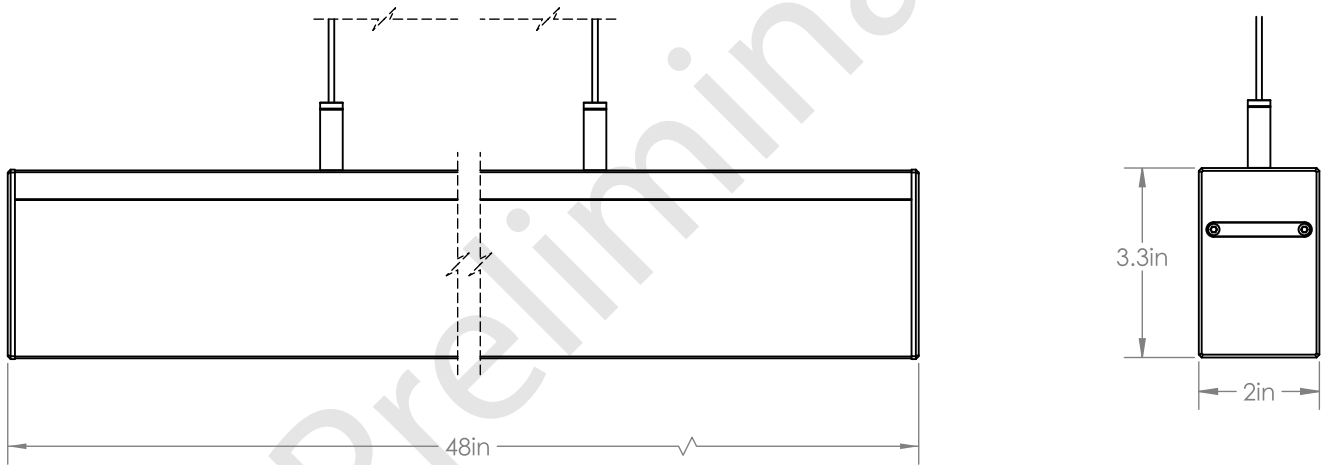
Ordering Information

Example: PB-04SC-952760-070FD-IPDWI-SG

Product ID	Length	Output	Finish		CCT		Beam Angle	Lens		Controller			Power Supply	Mounting Options	Accessory ¹
			Body	CRI	Lo	Hi		Shape	Type	Position	Type	Interface			
PB	04 08 12	SO	Clear	95+ 90+ 80+	2700K	6000K	070	Flat	Diffused	Internal External	PERFEKTDay None	Wired	Internal External	ST Tbar SG Cable SN None	Blank - None Union 180° Occupancy Sensor Daylight Sensor Day & Occ Sensor

¹ Separate Accessory options with a dash (-)

Mechanical Drawings



Mounting Options

