

Contour

PROFILE SERIES

Low Voltage Linear Luminaire

Used on bridges, in hotels, churches and castles around the globe, specifiers recognize the unique benefits that Prolume's Contour brings to a venue and utilize Contour to create an experience that leave observers simply awestruck.

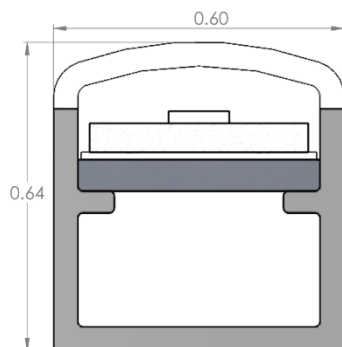
Developed with a tight pitch LED light engine, the **Contour** delivers lighting uniformity second to none. Utilizing the latest LEDs from industry leaders and implementing a very tight binning protocol, the **Contour** ensures an unmistakable color temperature and hue consistency. With a minuscule power consumption of 3.6 watts per foot for High Output (2 watts for Standard Output) the **Contour** contributes to power savings in all applications or watts per foot can be tailored to meet the specifiers exact needs.

All of these features combine to make the Contour an ideal solution for a variety of applications including cove, handrail, accent and interior up lighting.

Features

- Made in America quality
- Five standard CCTs and four colored LED options
- Tailored fixture lengths, CCT, CRI and watts per foot to meet exact application requirements
- Ultra-low profile for seamless integration
- Fixed and articulating mounting options
- Fixtures can be daisy chained to form a longer run and energized from a single driver

Mechanical Profile & Compliance



- All dimensions in INCHES



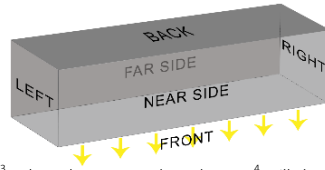
Specifications	2700K	3000K	3500K	4000K	5000K
CCT	2700K	3000K	3500K	4000K	5000K
LED Pitch	0.5"				
Lumen Output					
Clear & SO	189	205	222	232	245
Clear & HO	359	400	412	419	458
Frosted & SO	115	125	136	142	150
Frosted & HO	219	244	252	256	280
CRI	80+ & 90+				
Beam Angle	115°				
Lens	Clear & Frosted				
Dimmable	Yes				
On Board Dimming	No				
Radius _{ft}	Consult Factory				
Construction	Polycarbonate Plastic				
Housing	Polycarbonate body & lens				
Fixture Length	Min 5" Max 102"				
Ordering Increments	1"				
Power Consumption _{W/Ft}	SO 2W HO 3.6W				
Efficacy _{LM/W}					
Clear & SO	94	103	111	116	123
Clear & HO	100	111	114	116	127
Frosted & SO	58	63	68	71	75
Frosted & HO	61	68	70	71	78
Power Supply	Class II				
Operating Voltage _{Dc}	24V				
Fixture Connectors	Indoor PlugnGo, Outdoor PlugnGo, Flying Leads				
Fixture Mounting	Very High Bond Tape, Spring Clip, Articulating Clip, Channel Clip, Deep Channel Clip				
Environmental Rating	Wet				
Certifications	UL				
Warranty _{Limited}	5 years				
L70 Rating	50,000 Hours				
Product Dimensions _{WxH}	0.60 x 0.62 in				
Operating Temp Range	-20 to 120 °F				
Storage Temp Range	-40 to 160 °F				
Weight _{lbs/ft}	0.16 lb / ft				

Specification subject to change without prior notification

Ordering Information

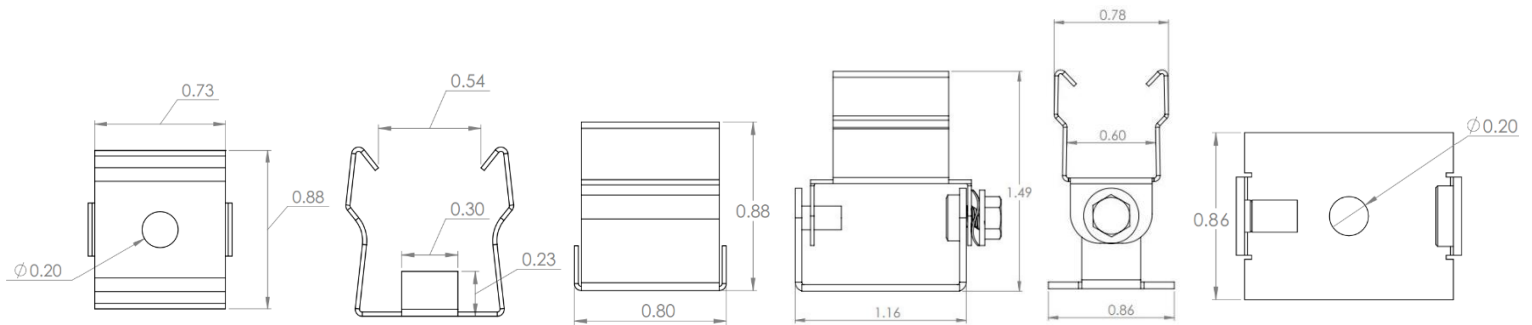
Example: CON-11S-830F-115-LE-IRE-CC-SB

Product	Length ¹	Output	CRI ²	Color	Extrusion	Beam Angle	Ingress Cable Orientation	iPosition	Termination ³	Egress Cable Orientation ⁴	ePosition	Mount	Accessory	APosition
CON	##	SO HO	80+ 90+	27 30 35 40 50	Frosted Clear	115	Left Right	End Back Nearside Farside	IPG OPG	Right Left	X - None End Back Nearside Farside	BT - Very High Bond Tape SC - Spring Clip AS - Articulating Spring Clip CC - Channel Clip DC - Deep Channel Clip	Blank - None Switch	Blank - None Nearside Farside Back FRont



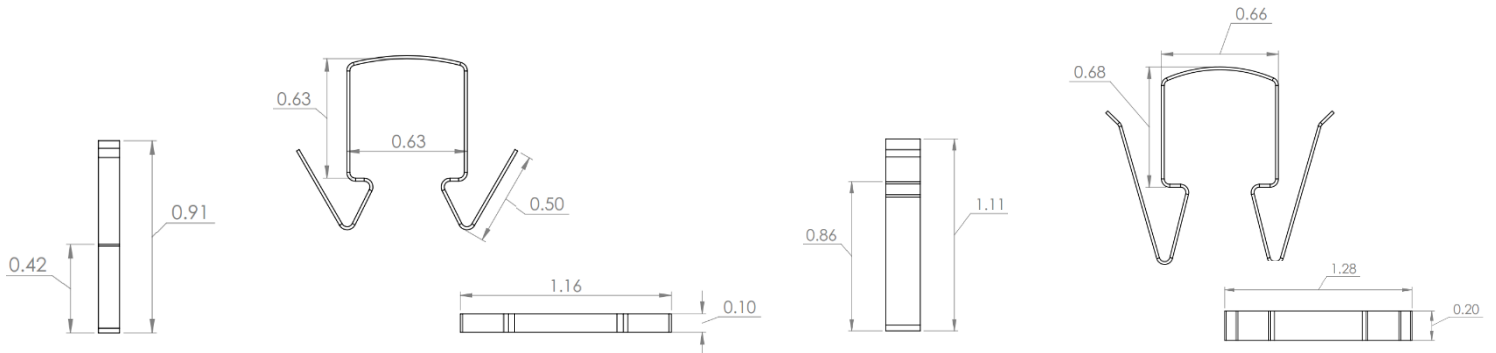
¹ Fixture length in inches, ² CRI does not apply to Colors; leave blank ³ Indoor PlugGo, Outdoor PlugGo ⁴ Will always be the opposite letter of the Ingress Cable Orientation (R or L)

Mounting Clips



Stainless Spring Clip

Articulating Spring Clip



Steel Channel Clip

Deep Channel Clip

- All dimensions in INCHES

Dimming

The **Profile Series** integrates on board constant current regulation and requires a constant voltage power supply input. Dimming of these fixtures is achieved via Pulse Width Modulation, PWM, to control the driver output. The two methods recommended for dimming are through use of an inline PWM dimming controller in conjunction with the constant voltage power supply, or through use of a dimming compatible driver that will output a PWM signal.

