



Zefx LUMA SERIES

Constructed using an industrial grade aluminum extrusion built to withstand the test of time, the ZE is an ideal solution with a two-inch pitch light engine that provides general illumination and pathway lighting for extreme environmental applications.

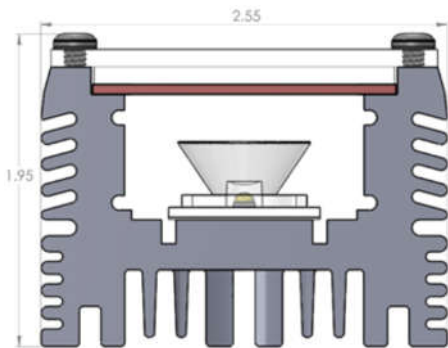
Configured with either a standard or high output light engine, the Zefx will deliver up to 469 lumens. Protected by a rugged aluminum envelope with a UV resistant polycarbonate lens, the Zefx will perform in the most extreme weather conditions. When combined with onboard 0 – 10 V_{DC} dimming, thermal monitoring and current control to deliver ideal light levels while protecting against overheating along with the ability to be mounted in either a fixed or articulating position, the Zefx becomes a reliable and versatile solution for architects, specifiers and lighting designers to use with confidence for their most environmental extremes.

Available in twelve inch increments up to four feet in length and configurable in either a series or parallel to a single driver, the Zefx is a perfect solution for creating a dramatic wall grazing effects.

Features

- Made in America quality and craftsmanship
- UV stabilized polycarbonate lens
- Five standard CCTs plus options for colored customization
- Daisy chain configurable wiring to a single driver
- Thermal monitoring and current control combine to maintain light levels while guarding against overheating

Mechanical Profile & Compliance



- All dimensions in INCHES



LOW VOLTAGE LINEAR LUMINAIRE



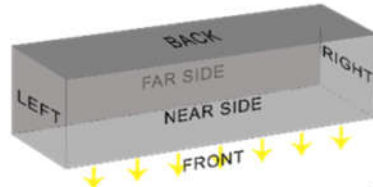
Specifications					
CCT	2700K	3000K	3500K	4000K	5000K
LED Pitch	2"				
Lumen Output					
SO & 15°	224	253	258	263	313
SO & 40°	239	270	275	280	334
SO & 50x10°	235	266	271	276	329
HO & 15°	312	354	361	368	439
HO & 40°	333	378	386	393	469
HO & 50x10°	327	372	379	387	461
CRI	80+ & 90+				
Beam Angle	15°, 40°, 50x10°				
Lens	Clear				
Dimmable	Yes				
On Board Dimming	Yes				
Construction	Aluminum & Polycarbonate Plastic				
Housing	Clear Anodized Aluminum				
Fixture Length _{Min}	12"				
Fixture Length _{Max}	48"				
Daisy-Chain Capable	Yes				
Ordering Increments	12"				
Power Consumption _w	SO 7W		HO 10W		
Efficacy _{LM/W}					
SO & 15°	32	36	37	38	45
SO & 40°	34	39	39	40	48
SO & 50x10°	34	38	39	39	47
HO & 15°	31	35	36	37	44
HO & 40°	48	54	39	56	67
HO & 50x10°	33	37	38	39	46
Power Supply	Class II				
Operating Voltage _{DC}	24V				
Fixture Connectors	Outdoor PlugnGo, Flying Leads				
Fixture Mounting	Low Profile Bracket, Extended Profile Bracket				
Environmental Rating	Wet				
Certifications	UL				
Warranty _{Limited Product}	5 years				
Operating Temp Range	2.50 x 1.94 in				
Storage Temp Range	-40 to 140 °F				
Weight	-40 to 180 °F				
	3.2 lb / ft				

Specifications subject to change without prior notification

Ordering Information

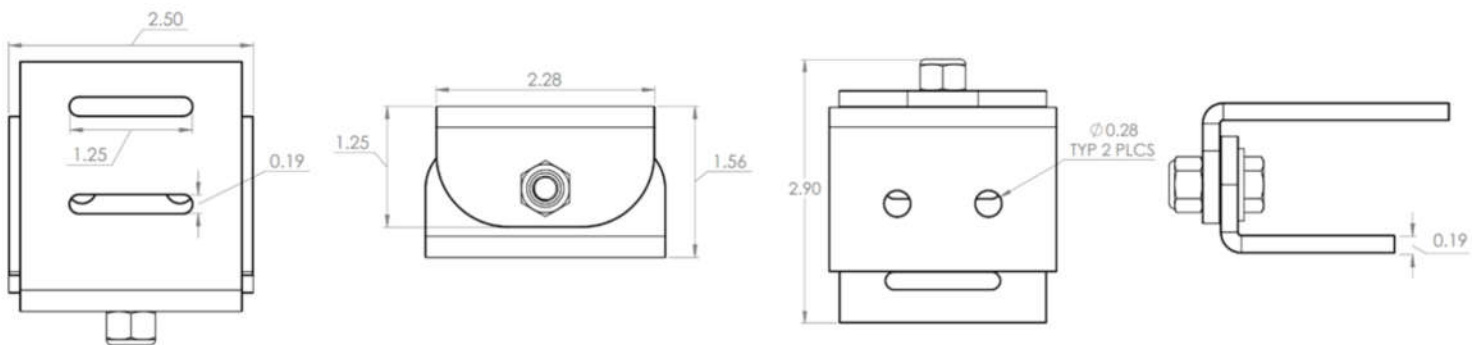
Example: ZEF-36S-840-40C-LE-ORX-EP

Product	Length ¹	Output	CRI ²	Color	Beam Angle	Lens	Ingress Cable Orientation	iPosition	Termination ³	Ingress Opposite Orientation ⁴	Egress Cable Position	Mount
ZEF	##	SO HO	80+ 90+	27 30 35 40 50 RED GRN BLU YLW	15 40 50x10	Clear	Left Right	End Back Nearside Farside	OPG Fly	Right Left	X - None End Back Nearside Farside	LP - Low Profile Bracket EP - Extended Profile Bracket

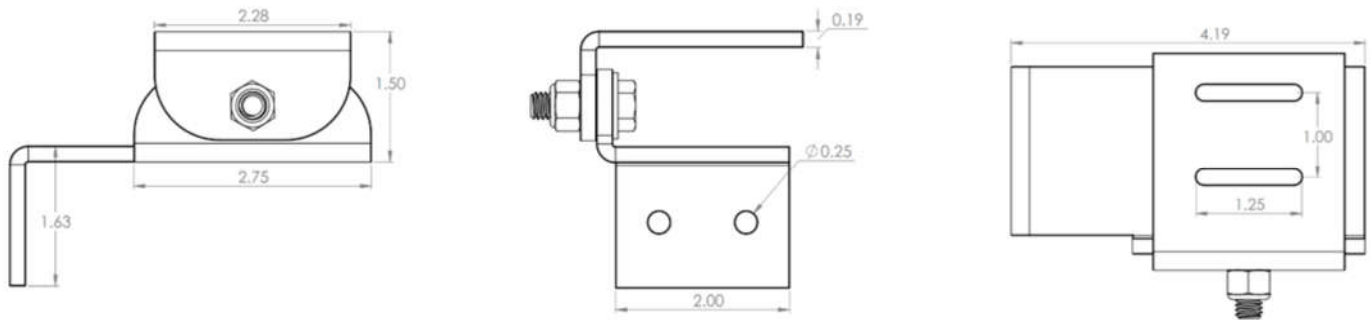


¹ Fixture length in inches, ² CRI does not apply to Colors; leave blank ³ Outdoor PlugGo or Flying leads ⁴ Will always be the opposite letter of the Ingress Cable Orientation (R or L)

Mounting Clips



Low Profile Bracket



Extended Profile Bracket

- All dimensions in INCHES

Dimming

The Luma Series of products are designed with a built-in dimming circuit that requires a 0 - 10 V_{DC} sinking dimming controller to properly function. Either a third party sinking dimmer controller can be used or one of two available options in the LEDynamics LVD Series of products.

