

## 525 NITE-GLOW SERIES

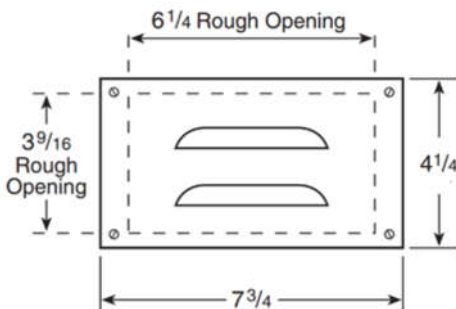
Sleek, stylish and designed with the needs of occupant and public safety. With a low profile recessed design, the 525 has become a standard for specifiers when night light or aisle lighting is required. Available in four different finishes, the louvers are designed to maximize light output with a clean cutoff while still delivering sufficient illumination to navigate a darkened room.

Designed with a state-of-the-art LED light engine for energy efficiency and a variety of white CCTs and colored LEDs option, the 525 can be configured to meet the specific needs of nearly any nightlight or aisle application and will deliver years of maintenance free performance. The 525 is also available with a through wall mounting option which allows a second satellite fixture to be mounted on an adjacent wall and powered via a low voltage connection from up to three feet away.

### Features

- Made in America craftsmanship and quality
- Galvanized steel back box with folded and welded corners, and mounting tabs
- Five standard CCTs and four colored LEDs standard options available
- Through wall or satellite configuration capable
- Four standard louver options; contact factory for custom requirements

### Mechanical Profile & Compliance



- All dimensions in INCHES



## LOW VOLTAGE NIGHT/AISLE LIGHT



### Specifications

CCT	2700K	3000K	3500K	4000K	5000K
Lumen Output	35	42	43	45	49
CRI	80+ & 90+				
Beam Angle	90°				
Lens	None				
Dimmable	No				
On Board Dimming	No				
Construction	Steel, Plastic				
Housing	Steel				
Power Consumption <sub>w</sub>	1W				
Efficacy <sub>lm/w</sub>	35	42	43	45	49
Power Supply	Class II				
Operating Voltage <sub>dc</sub>	12Vdc				
Fixture Connectors	Molex Connector				
Fixture Mounting	In Wall				
Built In Functionality	None				
Environmental Rating	Damp				
Certifications	UL, RoHS				
Warranty <sub>Limited</sub>	5 years				
Product Dimensions <sub>wxh</sub>	7.75"x4.24"x0.45" (Faceplate only) 7.375"x3.6"x2.35" (backbox only)				
Operating Temp Range	-40 to 120 °F				
Storage Temp Range	-40 to 160 °F				
Weight	2lbs				

Specifications subject to change without prior notification

## Ordering Information

Example: 525-FS-850-WHM-D

Product	Type	Service	Color	Plate	Screws	Environment
525	<u>F</u> ixture	<u>S</u> ingle	827	<u>N</u> one <sup>1</sup>	<u>N</u> one <sup>1</sup>	<u>N</u> one <sup>1</sup>
		<u>R</u> etrofit	<u>D</u> ouble	830	<u>W</u> hite	<u>M</u> atching
			835	<u>B</u> lack	<u>T</u> amper Proof	<u>W</u> et
			840	<u>S</u> tainless		
			850	<u>B</u> rass		
			RED			
			GRN			
			BLU			
			YLW			

<sup>1</sup>None only applicable option available for 525 Retrofit Type

## Mechanical Dimensions

