

ZVfx LUMA SERIES

Built to withstand the test of time, the ZVfx adds optics for crisp beam sculpting to create a high output solution for wall grazing applications that require a robust and reliable fixture.

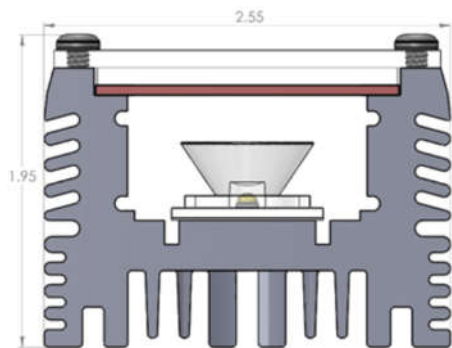
Available in either a standard or high output one-inch pitch light engine configuration, the ZVfx will deliver up to 909 lumens. Housed in a rugged aluminum envelope and protected by a UV resistant polycarbonate lens, the ZVfx will perform in the most extreme weather conditions. When combining onboard 0 – 10 V_{DC} dimming, thermal monitoring and current control to deliver ideal light levels while protecting against overheating and the ability to be mounted in either a fixed or articulating position, the ZVfx becomes a reliable and versatile solution for architects, specifiers and lighting designers to use with confidence.

Offered in twelve-inch increments up to four feet in length and daisy chain capable from a single driver, the ZVfx is a perfect solution for creating a dramatic wall grazing effect.

Features

- Made in America quality and craftsmanship
- UV stabilized polycarbonate lens
- Five standard CCTs plus options for colored customization
- Daisy chain configurable wiring to a single driver
- Thermal monitoring and current control combine to maintain light levels while guarding against overheating

Mechanical Profile & Compliance



- All dimensions in INCHES



LOW VOLTAGE LINEAR LUMINAIRE



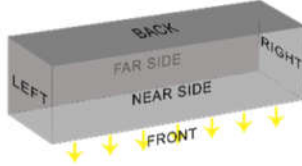
Specifications	2700K	3000K	3500K	4000K	5000K
CCT	2700K	3000K	3500K	4000K	5000K
LED Pitch	1.2"				
Lumen Output					
SO & 15°	516	516	524	610	697
SO & 40°	543	543	551	641	732
SO & 50x10°	551	551	559	651	744
HO & 15°	649	649	649	730	851
HO & 40°	682	682	682	768	895
HO & 50x10°	693	693	693	780	909
CRI	80+ & 90+				
Beam Angle	10°, 40°, 50x10°				
Lens	Clear				
Dimmable	Yes				
On Board Dimming	Yes				
Construction	Aluminum & Plastic				
Housing	Clear Anodized Aluminum				
Fixture Length _{Min}	12"				
Fixture Length _{Max}	48"				
Ordering Increments	12"				
Daisy-Chain Capable	Yes				
Power Consumption _w	SO 12W HO 17W				
Efficacy _{LM/w}					
SO & 15°	43	43	44	51	58
SO & 40°	45	45	46	53	61
SO & 50x10°	46	46	47	54	62
HO & 15°	38	38	38	43	50
HO & 40°	40	40	40	45	53
HO & 50x10°	41	41	41	46	53
Power Supply	Class II				
Operating Voltage _{o.c.}	24V				
Fixture Connectors	Outdoor PlugGo				
Fixture Mounting	Low Profile Bracket, Extended Profile Bracket, Fixed Clip				
Environmental Rating	Wet				
Certifications	UL				
Warranty _{Limited}	5 years				
Product Dimensions _{wxh}	2.50 x 1.94 in				
Operating Temp Range	-20 to 120 °F				
Storage Temp Range	-40 to 160 °F				
Weight	3.2 lb / ft				

Specifications subject to change without prior notification

Ordering Information

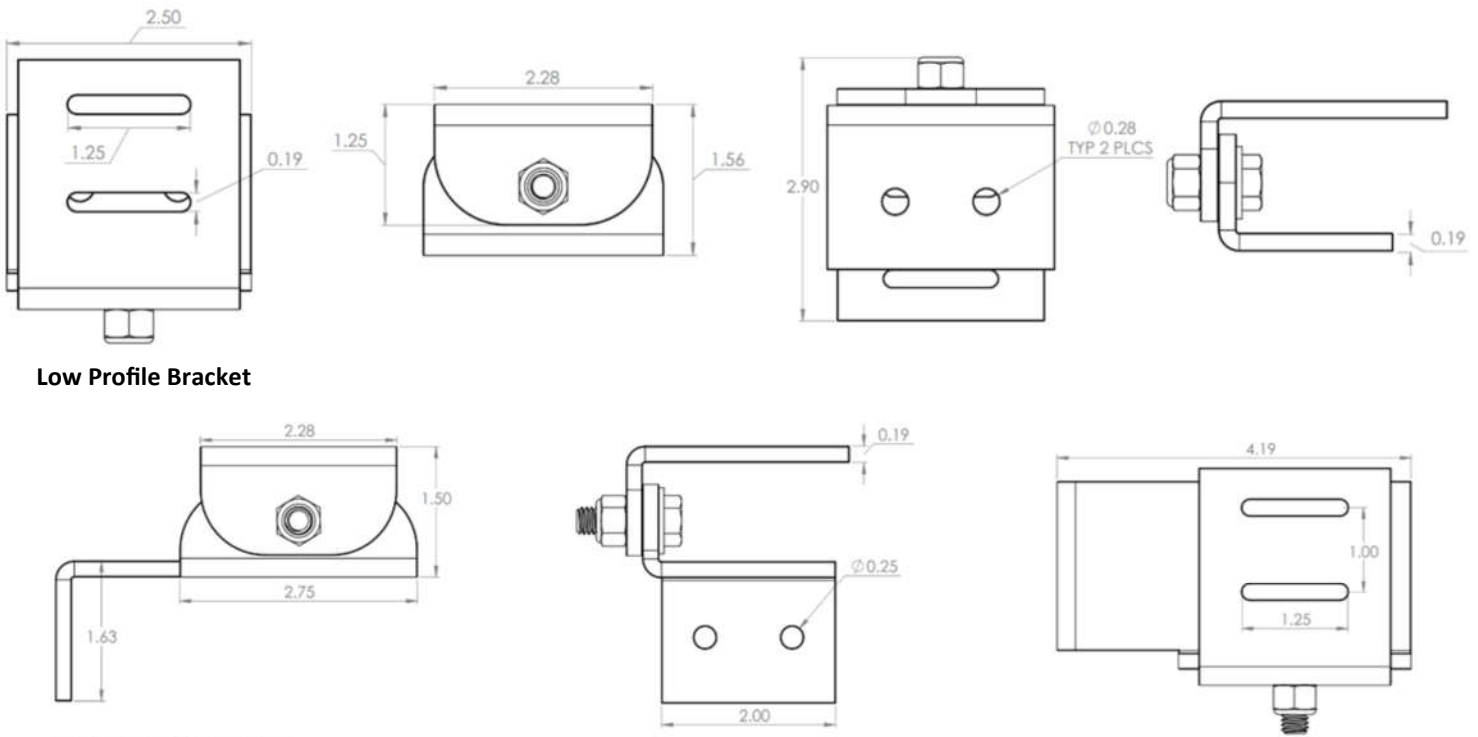
Example: ZVF-35H-840-15C-LE-ORX-LP

Product	Length ¹	Output	CRI ²	Color	Beam Angle	Lens	Ingress Cable Orientation	iPosition	Termination ³	Egress Cable Orientation ⁴	ePosition	Mount
ZVF	##	SO HO	80+ 90+	27 30 35 40 50 RED GRN BLU AMB	15 40 50x10	Clear	Left Right	End Back Nearside Farside	OPG	Right Left	X - None End Back Nearside Farside	LP - Low Profile EP - Extended Profile FC - Fixed Clip



¹ Fixture length in inches, ² CRI does not apply to Colors; leave blank ³ Outdoor PlugnGo ⁴ Will always be the opposite letter of the Ingress Cable Orientation (R or L)

Mounting Clips



Low Profile Bracket

Extended Profile Bracket

- All dimensions in INCHES

Dimming

The Luma Series of products are designed with a built-in dimming circuit that requires a 0 - 10 V_{DC} sinking dimming controller to properly function. Either a third party sinking dimmer controller can be used or one of two available options in the LEDynamics LVD Series of products.

