

UC LUMA SERIES

Discreet yet illuminating... when the application needs to deliver lumens, yet the source must be concealed, specifiers turn to the UC to fulfill the requirement.

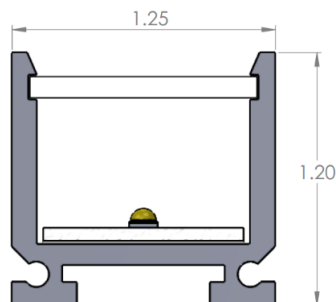
American designed and manufactured, the **UC** light engine delivers superior lumen output while remaining discreetly hidden within the deep channel, powder coated aluminum housing that easily blends in to any venue. The **UC** offers a standard and high output option and can be combined with either a clear or frosted lens to deliver the precise and desired lighting effect. With the ability to be daisy chained, along with customizable fixture lengths, CRI or lumens per foot, the **UC** can be tailored to meet the exacting needs of nearly any specifier.

Available with either a fix or articulating mount and nine standard CCT/Color options, the **UC** is the ideal solution for cove and accent lighting when a concealed source of light and excellent light throw is required for the project.

Features

- Made in America quality and craftsmanship
- Five CCTs and four colored LED standard options
- Customizable fixture lengths, CCT and CRI available
- Powder coated, low profile aluminum extrusion for seamless integration
- Fixed and articulating mounting options
- Fixtures can be daisy chained to form a longer run and energized from a single driver
- Multiple lens options
- Excellent light casting property

Mechanical Profile & Compliance



- All dimensions in INCHES



Low Voltage Linear Luminaire



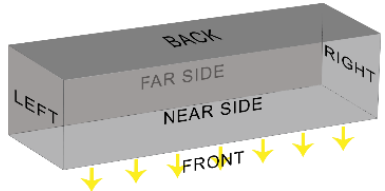
Specifications					
CCT	2700K	3000K	3500K	4000K	5000K
LED Pitch	2"				
Lumen Output					
Clear & SO	485	485	487	561	650
Clear & HO	618	618	621	717	844
Frosted & SO	423	423	424	449	520
Frosted & HO	538	538	541	574	676
CRI	80+ & 90+				
Beam Angle	90°				
Lens	Clear & Frosted				
Dimmable	Yes				
On Board Dimming	Yes				
Construction	Aluminum & Plastic				
Housing	White Powder Coated Aluminum				
Fixture Length _{Min}	SO 5" HO 5"				
Fixture Length _{Max}	SO 102" HO 102"				
Ordering Increments	1"				
Daisy-Chain Capable	Yes				
Power Consumption _{W/Ft}	SO 7W HO 10W				
Efficacy _{LM/W}					
Clear & SO	69	69	70	80	93
Clear & HO	62	62	62	72	84
Frosted & SO	60	60	61	64	74
Frosted & HO	54	54	54	57	68
Power Supply	Class II				
Operating Voltage _{DC}	24V				
Fixture Connectors	Indoor PlugnGo, Outdoor PlugnGo, Flying Leads				
Fixture Mounting	Fixed Mounting Clip, Articulating Mounting Clip				
Environmental Rating	Dry				
Certifications	UL				
Warranty _{Limited}	5 years				
Product Dimensions _{WxH}	1.25 x 1.20 in				
Operating Temp Range	-40 to 140 °F				
Storage Temp Range	-40 to 180 °F				
Weight	0.68 lb / ft				

Specifications subject to change without prior notification

Ordering Information

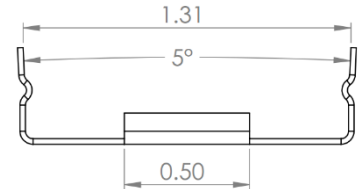
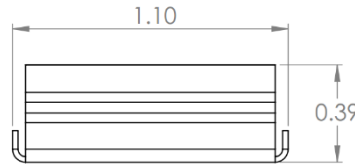
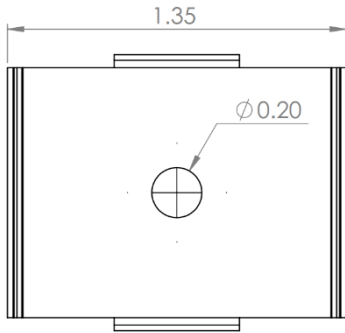
Example: UC-15S-830-90C-LE-IRE-AM

Product	Length ¹	Output	CRI ²	Color	Beam Angle	Lens	Ingress Cable Orientation	iPosition	Termination ³	Ingress Opposite Orientation ⁴	Egress Cable Position	Mount
UC	##	<u>S</u> O	<u>8</u> 0+	27	90	<u>C</u> lear	<u>L</u> eft	<u>E</u> nd	<u>I</u> PG	<u>R</u> ight	<u>X</u> - None	FM - Fixed Mount
		<u>H</u> O	<u>9</u> 0+	30		<u>F</u> rosted	<u>R</u> ight	<u>B</u> ack	<u>O</u> PG	<u>L</u> eft	<u>E</u> nd	AM - Articulating Mount
				35				<u>N</u> earside	<u>F</u> ly		<u>B</u> ack	
				40				<u>F</u> arside			<u>N</u> earside	
				50							<u>F</u> arside	
				RED								
				GRN								
				BLU								
				AMB								
				YLW								

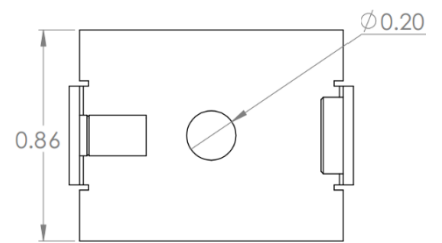
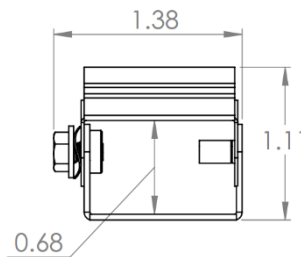
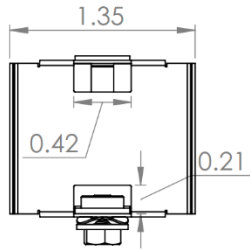
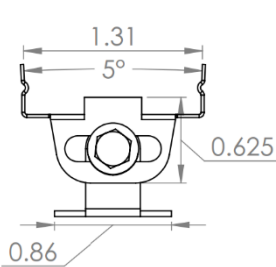


¹ Fixture length in inches, ² CRI does not apply to Colors; leave blank ³ Indoor PlugGo, Outdoor PlugGo or Flying leads ⁴ Will always be the opposite letter of the Ingress Cable Orientation (R or L)

Mounting Clips



Fixed Mounting Clip



Articulating Mounting Clip

Dimming

- All dimensions in INCHES

The Luma Series of products are designed with a built-in dimming circuit that requires a 0 - 10 V_{DC} sinking dimming controller to properly function. Either a third party sinking dimmer controller can be used or one of two available options in the LEDynamics LVD Series of products.

