

HiC LUMA SERIES

Low Voltage Linear Luminaire

Discreet yet illuminating. Sometimes a fixture must deliver even greater lumens, yet the source must be inconspicuously concealed. For such requirements, specifiers rely on HiC as their light choice.

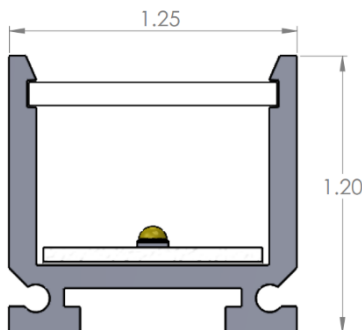
American designed and manufactured, the HiC light engine will deliver a far superior lumen output while maintaining a discreet concealed position within the deep channel, powder coated aluminum housing. The HiC is offered in either a standard and high output configuration and can be combined with a clear or frosted lens to achieve the precise desired lighting effect. Capable of being daisy chained, when combined with customizable fixture length, CRI or lumens per foot, the HiC is a versatile lighting solution in the arsenal of many specifiers and architects.

Available with either a fixed or articulating mount and nine standard CCT/Color options, the HiC is a perfect solution for general illumination when a concealed source of light and excellent light throw is required.

Features

- Made in America quality and craftsmanship
- Five CCTs and four colored LED standard options
- Customizable fixture lengths, CCT and CRI available
- Powder coated, low profile aluminum extrusion for seamless integration
- Fixed and articulating mounting options
- Fixtures can be daisy chained to form a longer run and energized from a single driver
- Onboard 0 - 10V_{DC} dimming circuitry

Mechanical Profile & Compliance



- All dimensions in INCHES



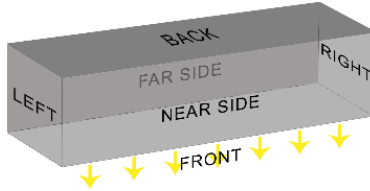
Specifications					
CCT	2700K	3000K	3500K	4000K	5000K
LED Pitch	1.2"				
Lumen Output					
Clear & SO	814	817	826	962	1098
Frosted & SO	700	703	710	827	945
Clear & HO	1020	1023	1034	1151	1342
Frosted & HO	880	884	910	990	1154
CRI	80+ & 90+				
Beam Angle	90°				
Lens	Clear & Frosted				
Dimmable	Yes				
On Board Dimming	Yes				
Radius _{ft}	Consult Factory				
Construction	Aluminum & Plastic				
Housing	White Powder Coated Aluminum				
Fixture Length _{Min}	SO 6" HO 6"				
Fixture Length _{Max}	SO 87" HO 60"				
Ordering Increments	1"				
Daisy-Chain Capable	Yes				
Power Consumption _{W/Ft}	SO 11W HO 17W				
Efficacy _{LM/W}					
Clear & SO	74	74	75	87	100
Clear & HO	93	93	94	105	122
Frosted & SO	41	41	42	49	56
Frosted & HO	52	52	54	58	68
Power Supply	Class II				
Operating Voltage _{DC}	24V				
Fixture Connectors	Indoor PlugnGo, Outdoor PlugnGo, Flying Leads				
Fixture Mounting	Fixed Mounting Clip, Articulating Mounting Clip				
Built In Functionality:	None				
Environmental Rating	Dry				
Certifications	UL				
Warranty _{Limited}	5 years				
Product Dimensions _{WxH}	1.25 x 1.20 in				
Operating Temp Range	-40 to 140 °F				
Storage Temp Range	-40 to 180 °F				
Weight	0.68 lb / ft				

Specifications subject to change without prior notification

Ordering Information

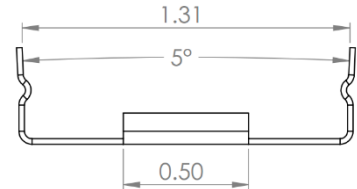
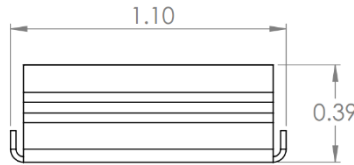
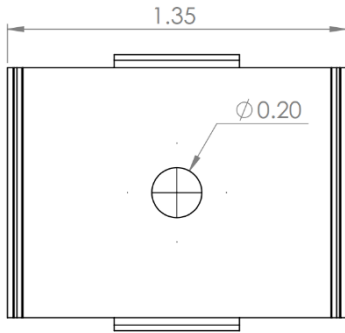
Example: HIC-21H-835-90F-LE-IRE-FM

Product	Length ¹	Output	CRI ²	Color	Beam Angle	Lens	Ingress Cable Orientation	iPosition	Termination ³	Ingress Opposite Orientation ⁴	Egress Cable Position	Mount
HIC	##	<u>S</u> O <u>H</u> O	<u>8</u> 0+ <u>9</u> 0+	27 30 35 40 50 RED GRN BLU AMB YLW	90	<u>C</u> lear <u>F</u> rosted	<u>L</u> eft <u>R</u> ight	<u>E</u> nd <u>B</u> ack <u>N</u> earside <u>F</u> arside	<u>I</u> PG <u>O</u> PG <u>F</u> ly	<u>R</u> ight <u>L</u> eft	<u>X</u> - None <u>E</u> nd <u>B</u> ack <u>N</u> earside <u>F</u> arside	FM - Fixed Mount AM - Articulating Mount

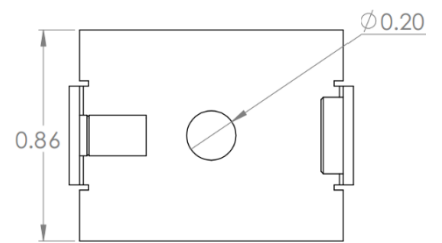
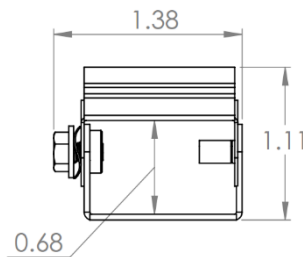
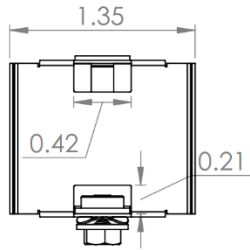
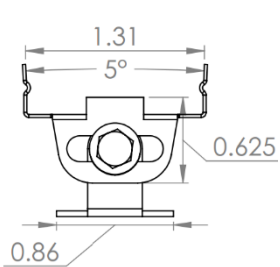


¹ Fixture length in inches, ² CRI does not apply to Colors; leave blank ³ Indoor PlugGo, Outdoor PlugGo or Flying leads ⁴ Will always be the opposite letter of the Ingress Cable Orientation (R or L)

Mounting Clips



Fixed Mounting Clip



Articulating Mounting Clip

- All dimensions in INCHES

Dimming

The Luma Series of products are designed with a built-in dimming circuit that requires a 0 - 10 V_{DC} sinking dimming controller to properly function. Either a third party sinking dimmer controller can be used or select one of two available options in the LEDynamics LVD Series of dimmer solutions.

