

UCfx LUMA SERIES

Discreet yet illuminating... when the application needs to deliver a shaped beam angle and the source must be concealed, specifiers turn to the UCfx to fulfill the most demanding requirements.

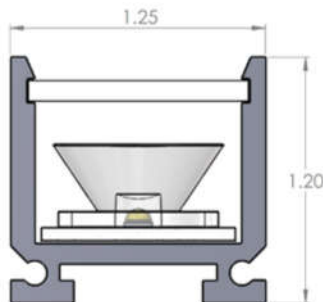
American designed and manufactured, the UCfx light engine delivers superior lumen output while remaining discreetly hidden within the deep channel, powder coated aluminum housing. The UCfx offers a standard and high output option and can be combined with a clear or frosted lens to deliver the precise desired lighting effect. With daisy chain capability and customizable fixture length, CRI or lumens per foot, the UCfx can be ordered to meet the exacting needs of nearly any specifier.

Available with either a fixed or articulating mount and nine standard CCTs/Color options, the UCfx is a perfect solution for back lighting when a concealed source of light and excellent light throw is required.

Features

- Made in America quality and craftsmanship
- Five CCTs and four colored LED standard options
- Customizable fixture lengths, CCT and CRI available
- Powder coated, low profile aluminum extrusion for seamless integration
- Fixed and articulating mounting options
- Fixtures can be daisy chained to form a longer run and energized from a single driver
- Multiple beam sculpting lens options

Mechanical Profile & Compliance



- All dimensions in INCHES



LOW VOLTAGE LINEAR LUMINAIRE



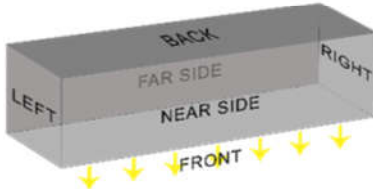
Specifications		2700K	3000K	3500K	4000K	5000K
CCT		2700K	3000K	3500K	4000K	5000K
LED Pitch		2"				
Lumen Output						
	SO & Clear	413	413	414	477	553
	SO & Frosted	355	355	356	410	475
	HO & Clear	525	525	528	609	718
	HO & Frosted	452	452	454	524	617
CRI		80+ & 90+				
Beam Angle		15°, 40°, 50x10°				
Lens		Clear				
Dimmable		Yes				
On Board Dimming		Yes				
Radius _{ft}		Consult Factory				
Construction		Aluminum & Plastic				
Housing		White Powder Coated Aluminum				
Fixture Length _{Min}		SO 6" HO 6"				
Fixture Length _{Max}		SO 102" HO 102"				
Ordering Increments		1"				
Daisy-Chain Capable		Yes				
Power Consumption _{W/Ft}		SO 7W HO 10W				
Efficacy _{LM/W}						
	SO & Clear	59	59	59	68	79
	SO & Frosted	51	51	51	59	68
	HO & Clear	52	52	53	61	72
	HO & Frosted	45	45	45	52	62
Power Supply		Class II				
Operating Voltage _{DC}		24V				
Fixture Connectors		Indoor PlugnGo, Outdoor PlugnGo, Flying Leads				
Fixture Mounting		Fixed Mounting Clip, Articulating Mounting Clip				
Environmental Rating		Dry				
Certifications		UL				
Warranty _{Limited}		5 years				
Product Dimensions _{WxH}		1.25 x 1.20 in				
Operating Temp Range		-40 to 140 °F				
Storage Temp Range		-40 to 180 °F				
Weight		0.68 lb / ft				

Specifications subject to change without prior notification

Ordering Information

Example: UCF-19S-827-5x1F-LE-IRX-AM

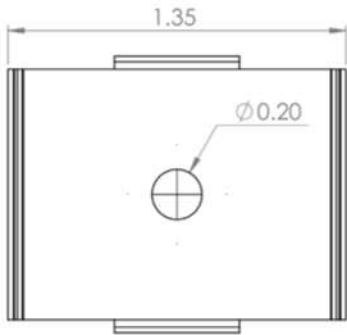
Product	Length ¹	Output	CRI ²	Color	Beam Angle	Lens	Ingress Cable Orientation	iPosition	Termination ³	Ingress Opposite Orientation ⁴	Egress Cable Position	Mount
UCF	##	SO HO	80+ 90+	27 30 35 40 50 RED GRN BLU AMB YLW	15 40 50x10	Clear Frosted	Left Right	End Back Nearside Farside	IPG OPG Fly	Right Left	X - None End Back Nearside Farside	FM - Fixed Mount AM - Articulating Mount



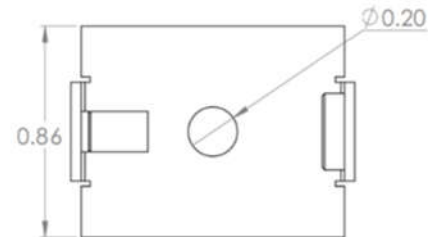
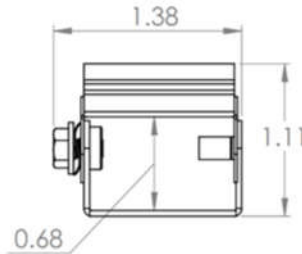
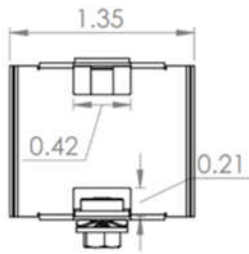
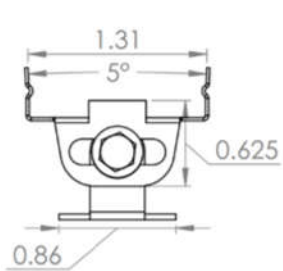
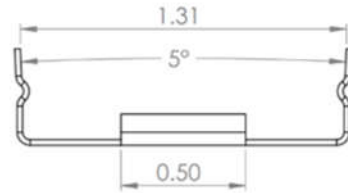
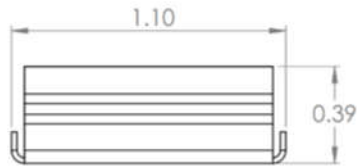
¹ Fixture length in inches, ² CRI does not apply to Colors; leave blank ³ Indoor PlugnGo, Outdoor PlugnGo or Flying leads ⁴ Will always be the opposite letter of the Ingress Cable Orientation (R or L)

Mounting Clips

Mounting Clips



Fixed Mounting Clip



Articulating Mounting Clip

- All dimensions in INCHES

Dimming

The Luma Series of products are designed with a built-in dimming circuit that requires a 0 - 10 V_{DC} sinking dimming controller to properly function. Either a third party sinking dimmer controller can be used or select one of two available options in the LEDynamics LVD Series of dimmer solutions.

