

## UC LUMA SERIES

Discreet yet illuminating... when the application needs to deliver lumens, yet the source must be concealed, specifiers turn to the UC to fulfill the requirement.

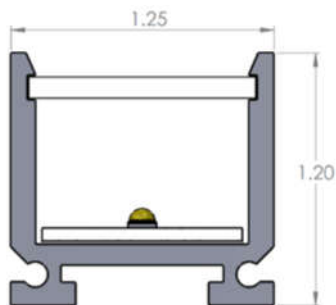
American designed and manufactured, the UC light engine delivers superior lumen output while remaining discreetly hidden within the deep channel, powder coated aluminum housing that easily blends in to any venue. The UC offers a standard and high output option and can be combined with either a clear or frosted lens to deliver the precise and desired lighting effect. With the ability to be daisy chained, along with customizable fixture lengths, CCT or lumens per foot, the UC can be tailored to meet the exacting needs of nearly any specifier.

Available with either a fix or articulating mount and nine standard CCT/Color options, the UC is the ideal solution for cove and accent lighting when a concealed source of light and excellent light throw is required for the project.

### Features

- Made in America quality and craftsmanship
- Five CCTs and four colored LED standard options
- Customizable fixture lengths, CCT and CRI available
- Powder coated, low profile aluminum extrusion for seamless integration
- Fixed and articulating mounting options
- Fixtures can be daisy chained to form a longer run and energized from a single driver
- Multiple lens options
- Excellent light casting property

### Mechanical Profile & Compliance



- All dimensions in INCHES



## LOW VOLTAGE LINEAR LUMINAIRE



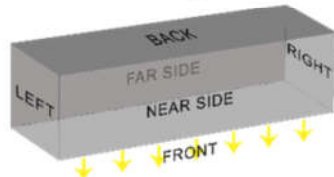
Specifications					
CCT	2700K	3000K	3500K	4000K	5000K
LED Pitch	2"				
Lumen Output					
Clear & SO	485	485	487	561	650
Clear & HO	618	618	621	717	844
Frosted & SO	423	423	424	449	520
Frosted & HO	538	538	541	574	676
CRI	80+ & 90+				
Beam Angle	90°				
Lens	Clear & Frosted				
Dimmable	Yes				
On Board Dimming	Yes				
Construction	Aluminum & Plastic				
Housing	White Powder Coated Aluminum				
Fixture Length <sub>Min</sub>	SO 5"   HO 5"				
Fixture Length <sub>Max</sub>	SO 102"   HO 102"				
Ordering Increments	1"				
Daisy-Chain Capable	Yes				
Power Consumption <sub>w</sub>	SO 7W   HO 10W				
Efficacy <sub>lm/w</sub>					
Clear & SO	69	69	70	80	93
Clear & HO	62	62	62	72	84
Frosted & SO	60	60	61	64	74
Frosted & HO	54	54	54	57	68
Power Supply	Class II				
Operating Voltage <sub>dc</sub>	24V				
Fixture Connectors	Indoor PlugnGo, Outdoor PlugnGo				
Fixture Mounting	Fixed Mounting Clip, Articulating Mounting Clip				
Environmental Rating	Dry				
Certifications	UL				
Warranty <sub>Limited</sub>	5 years				
Product Dimensions <sub>SWxH</sub>	1.25 x 1.20 in				
Operating Temp Range	-20 to 120 °F				
Storage Temp Range	-40 to 160 °F				
Weight	0.68 lb / ft				

Specifications subject to change without prior notification

**Ordering Information**

Example: UC-15S-830-90C-LE-IRE-AM

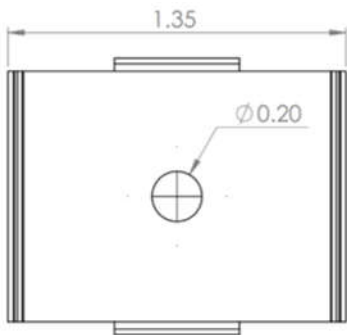
Product	Length	Output	CRI	Color	Beam Angle	Lens	Ingress Cable Orientation	iPosition	Termination <sup>3</sup>	Egress Cable Orientation <sup>4</sup>	ePosition	Mount
UC	##	SO HO	80+ 90+	27 30 35 40 50 RED GRN BLU AMB	90	Clear Frosted	Left Right	End Back Nearside Farside	IPG OPG	Right Left	X - None End Back Nearside Farside	FM - Fixed Mount AM - Articulating Mount



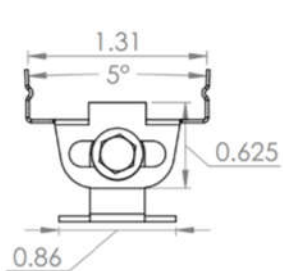
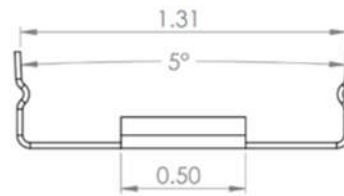
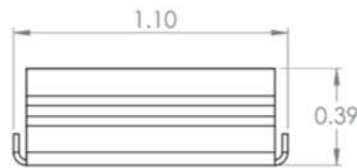
<sup>1</sup> Fixture length in inches, <sup>2</sup> CRI does not apply to Colors; leave blank <sup>3</sup> Indoor PlugnGo, Outdoor PlugnGo or Flying leads <sup>4</sup> Will always be the opposite letter of the Ingress Cable Orientation (R or l)

**Mounting Clips**

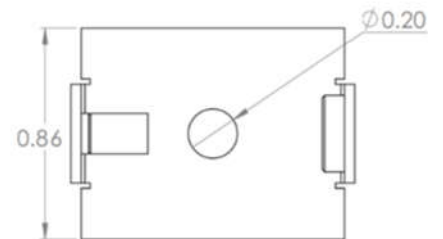
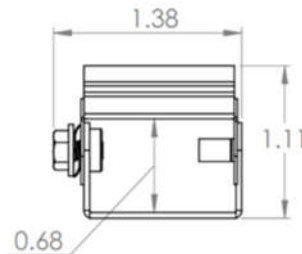
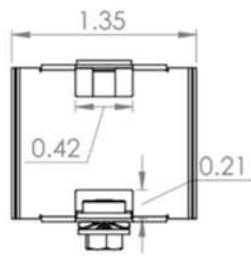
**Mounting Clips**



**Fixed Mounting Clip**



**Articulating Mounting Clip**



- All dimensions in INCHES

**Dimming**

The Luma Series of products are designed with a built-in dimming circuit that requires a 0 - 10 V<sub>DC</sub> sinking dimming controller to properly function. Either a third party sinking dimmer controller can be used or select one of two available options in the LEDynamics LVD Series of dimmer solutions.

