

PROFESSIONAL
LIGHTING



Product
Catalog
2020



Lighting Design by: D. Gilmore | Lighting Design, Inc.

Admired by the museum community users, the LIA has repeatedly demonstrated its museum quality characteristics and been a favorite for case and exhibit lighting the world over. With a tight fifteen-degree beam angle, the LIA excels in applications where a focused light pattern is the main objective.

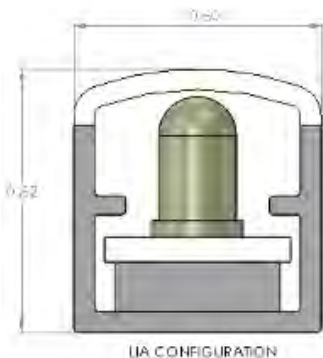
Continuing in the Prolume tradition, the LIA linear luminaire relies upon state-of-the-art LED technology manufactured with exacting standards and tight LED spacing to ensure the delivery of uniform lighting for general pathway lighting, signage backlighting and handrail illumination applications. The low-profile solution can be tailored to specific fixture lengths to meet the specific venue requirements and when considered along with its low power per foot consumption, provides one of the most economic linear solutions in the market.

Its features combine to deliver museum quality lighting in a sleek, low profile and economic package.

Features

- Made in America quality and craftsmanship
- Tailored fixture lengths to meet specific requirements
- Four standard CCTs and five colored LED options
- Ultra-low profile for seamless integration
- Tight fifteen or fifty-degree focused light pattern
- Clear and Frosted lensing with a UV stabilized polycarbonate housing

Mechanical Profile & Compliance



- All dimensions in INCHES



Specifications			
CCT	WW	NW	CW
LED Pitch	0.5"		
Lumen Output			
15° Clear	93	95	99
50° Clear	87	112	116
15° Frosted	53	54	57
50° Frosted	50	64	66
CRI	80+		
Beam Angle	15° & 50°		
Lens	Clear & Frosted		
Dimmable	Yes		
On Board Dimming	No		
Housing	Polycarbonate body & lens		
Fixture Length	Min 5" Max 102"		
Ordering Increments	1"		
Daisy-Chain Capable	Yes		
Power Consumption _w	2W		
Efficacy _{LM/w}			
15° Clear	47	48	50
50° Clear	44	56	58
15° Frosted	27	27	28
50° Frosted	25	32	33
Power Supply	Class II		
Operating Voltage _{dc}	24V		
Fixture Connectors	Indoor PlugnGo, Outdoor PlugnGo		
Fixture Mounting	Very High Bond Tape, Spring Clip, Articulating Clip, Channel Clip, Deep Channel Clip		
Environmental Rating	Wet		
Certifications	UL		
Warranty _{Limited}	5 years		
Product Dimensions _{SWxH}	0.60 x 0.62 in		
Operating Temp Range	-20 to 120 °F		
Storage Temp Range	-40 to 160 °F		
Weight _{lbs/ft}	0.16 lb / ft		

Specification subject to change without prior notification

Ordering Information

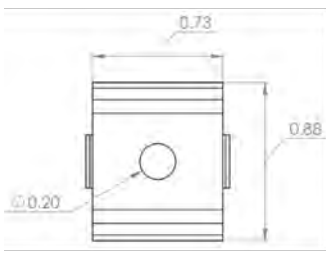
Example: LIA-12H-830C-50-LE-IRE-DC-SN

Product	Length	Output	CRI	Color	Extrusi	Beam Angle	Ingress Cable Orientation	iPosition	Terminatio	Egress Cable Orientation	ePosition	Mount	Accessory
LIA	##	HO	80+	27	Frosted	15	Left	End	IPG	Right	X - None	BT - Very High Bond Tape	Blank - None
				30	Clear	50	Right	Back	OPG	Left	End	SC - Spring Clip	Switch
				40				Nearside			Back	AC - Articulating Spring	
				50				Farside			Nearside	CC - Channel Clip	
				RED							Farside	D - Deep Channel Clip	
				GRN									
				BLU									
				YLW									
				AMB									

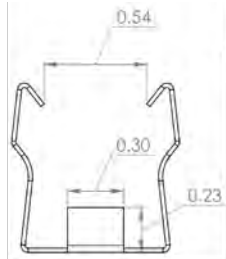


¹ Fixture length in inches, ² CRI does not apply to RGB Colors; leave blank ³ Indoor PlugGo, Outdoor PlugGo ⁴ Will always be the opposite letter of the Ingress Cable Orientation (R or L)

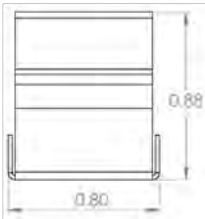
Mounting Clips



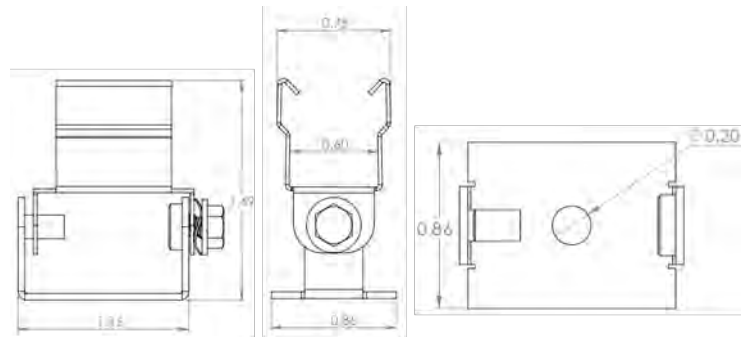
Stainless Spring Clip



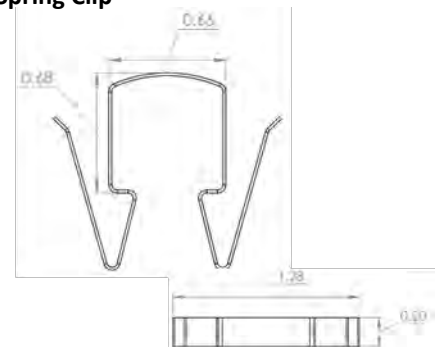
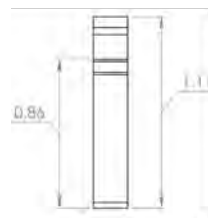
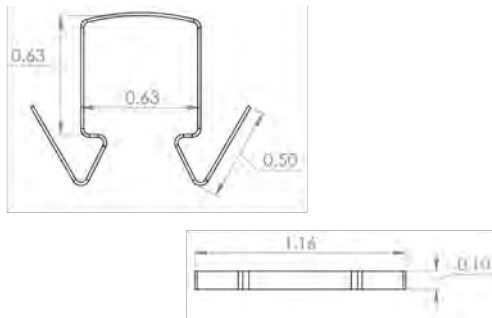
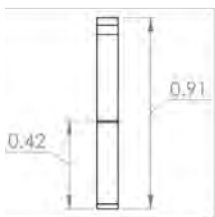
Articulating Spring Clip



Steel Channel Clip



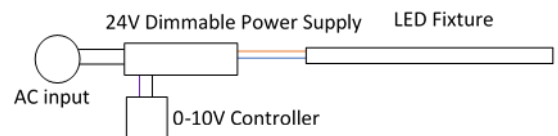
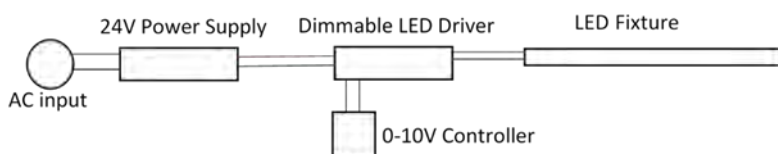
Deep Channel Clip



- All dimensions in INCHES

Dimming

The Legacy Series integrates on board constant current regulation and requires a constant voltage power supply input. Dimming of these fixtures is achieved via Pulse Width Modulation, PWM, to control the driver output. The two methods recommended for dimming are through use of an inline PWM dimming controller in conjunction with the constant voltage power supply, or through use of a dimming compatible driver that will output a PWM signal.



RIA LEGACY SERIES

LOW VOLTAGE LINEAR LUMINAIRE

When it comes to diversity the RIA is a solution that knows no bounds...

As a member of the **LEGACY SERIES**, the **RIA** has been specified for a diverse set of applications from cove and facade lighting to trim. With a higher lumen output than similar offerings in the Prolume portfolio, the **RIA** delivers a broader beam angle for a number of demanding applications.

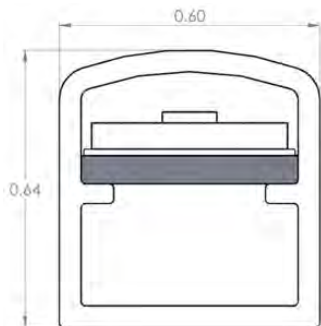
Utilizing state-of-the-art thermal monitoring and current control circuitry, the **RIA** will deliver and maintain ideal light levels while minimizing overheating. In addition, with on board dimming, the **RIA** will meet the demands of task and back lighting applications with ease.

The diverse features combine to make the **RIA** an ideal solution for a wide variety of applications and is capable of fulfilling the most challenging demands of any specifier.

Features

- Made in America quality and craftsmanship
- Tailored fixture lengths, CRI and watts per foot to meet exact application requirements
- Five standard CCTs and five colored LED options
- VHB tape mountable
- On-board dimming
- UV stabilized polycarbonate housing with frosted or clear lensing

Mechanical Profile & Compliance



- All dimensions in INCHES




Specifications					
CCT	2700K	3000K	3500K	4000K	5000K
LED Pitch	2"				
Lumen Output					
Clear	189	205	222	232	245
Frosted	115	125	136	142	150
CRI	80+ & 90+				
Beam Angle	115°				
Lens	Clear & Frosted				
Dimmable	Yes				
On Board Dimming	Yes				
Radius _r	Consult Factory				
Construction	Polycarbonate Plastic				
Housing	Polycarbonate body & lens				
Fixture Length	Min 5" Max 102"				
Ordering Increments	1"				
Daisy-Chain Capable	Yes				
Power Consumption _w	3.6W				
Efficacy _{LM/w}					
Clear	52	57	62	64	68
Frosted	32	35	38	39	42
Power Supply	Class II				
Operating Voltage _{dc}	24V				
Fixture Connectors	Indoor PlugnGo, Outdoor PlugnGo				
Fixture Mounting	Very High Bond Tape, Spring Clip, Articulating Clip, Channel Clip, Deep Channel Clip				
Environmental Rating	Wet				
Certifications	UL				
Warranty _{Limited}	5 years				
Product Dimensions _{SWxH}	0.60 x 0.62 in				
Operating Temp Range	-20 to 120 °F				
Storage Temp Range	-40 to 160 °F				
Weight _{lb/ft}	0.16 lb / ft				

Specification subject to change without prior notification

Ordering Information

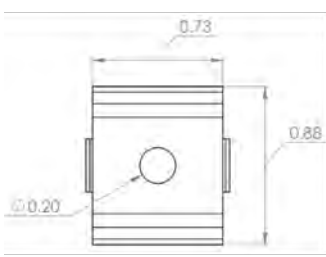
Example: RIA-55S-830C-115-LE-IRE-AS-SE

Product	Length ¹	Output	CRI ²	Color	Extrusion	Beam Angle	Ingress Cable Orientation	iPosition	Termination ³	Ingress Opposite Orientation ⁴	Egress Cable Position	Mount	Accessory	APosition
RIA	##	SO HO	80+ 90+	27 30 35 40 50 RED GRN BLU YLW AMB	Frosted Clear	115	Left Right	End Back Nearside Farside	IPG OPG	Right Left	X - None End Back Nearside Farside	BT - Very High Bond Tape SC - Spring Clip AC - Articulating Spring Clip CC - Channel Clip DC - Deep Channel Clip	Blank - None Switch	Blank - None Nearside Farside Back FRont End

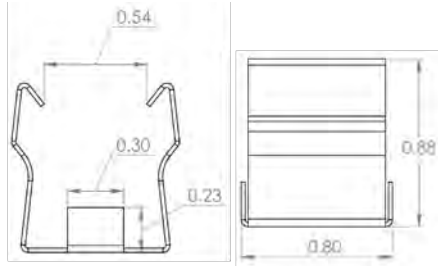


¹ Fixture length in inches, ² CRI does not apply to Colors; leave blank ³ Indoor PlugnGo, Outdoor PlugnGo ⁴ Will always be the opposite letter of the Ingress Cable Orientation (R or L)

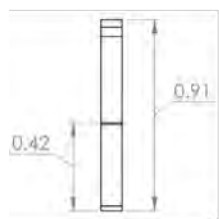
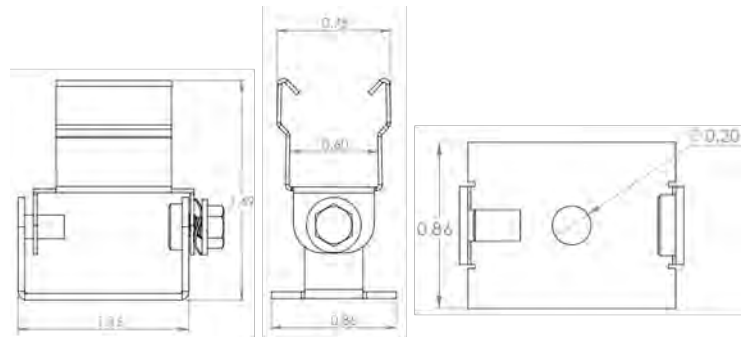
Mounting Clips



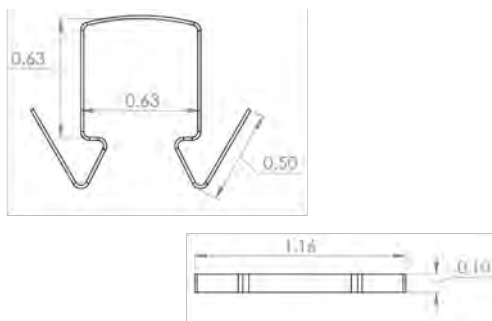
Stainless Spring Clip



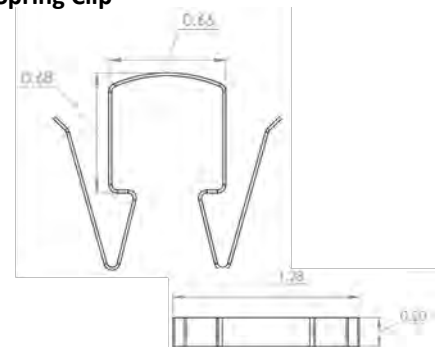
Articulating Spring Clip



Steel Channel Clip



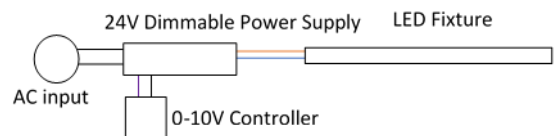
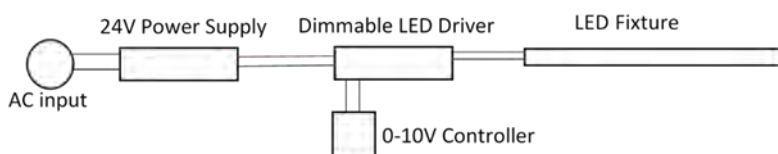
Deep Channel Clip



Dimming

- All dimensions in INCHES

The Legacy Series RIA integrates on board constant current regulation and requires a constant voltage power supply input. Dimming of these fixtures is achieved via Pulse Width Modulation, PWM, to control the driver output. The two methods recommended for dimming are through use of an inline PWM dimming controller in conjunction with the constant voltage power supply, or through use of a dimming compatible driver that will output a PWM signal.





Contour PROFILE SERIES

Used on bridges, in hotels, churches and castles around the globe, specifiers recognize the unique benefits that Prolume's Contour brings to a venue and utilize Contour to create an experience that leave observers simply awestruck.

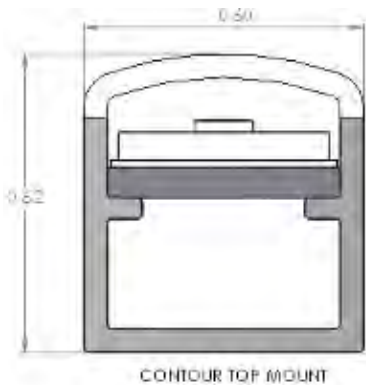
Developed with a tight pitch LED light engine, the **Contour** delivers lighting uniformity second to none. Utilizing the latest LEDs from industry leaders and implementing a very tight binning protocol, the **Contour** ensures an unmistakable color temperature and hue consistency. With a minuscule power consumption of 3.6 watts per foot for High Output (2 watts for Standard Output) the **Contour** contributes to power savings in all applications or watts per foot can be tailored to meet the specifiers exact needs.

All of these features combine to make the Contour an ideal solution for a variety of applications including cove, handrail, accent and interior up lighting.

Features

- Made in America craftsmanship and quality
- Tailored fixture lengths, CCT, CRI and watts per foot to meet exact application requirements
- Available in four colored LED options
- Ultra-low profile for seamless application integration
- Fixed and articulating mounting options
- Fixtures can be daisy chained to form a longer run and energized from a single driver

Mechanical Profile & Compliance



- All dimensions in INCHES



LOW VOLTAGE LINEAR LUMINAIRE



Specifications	2700K	3000K	3500K	4000K	5000K
CCT	2700K	3000K	3500K	4000K	5000K
LED Pitch	0.5"				
Lumen Output					
Clear & SO	189	205	222	232	245
Clear & HO	359	400	412	419	458
Frosted & SO	115	125	136	142	150
Frosted & HO	219	244	252	256	280
CRI	80+ & 90+				
Beam Angle	115°				
Lens	Clear & Frosted				
Dimmable	Yes				
On Board Dimming	No				
Radius _{ft}	Consult Factory				
Construction	Polycarbonate Plastic				
Housing	Polycarbonate body & lens				
Fixture Length	Min 5" Max 102"				
Ordering Increments	1"				
Power Consumption _w	SO 2W HO 3.6W				
Efficacy _{LM/W}					
Clear & SO	98	107	116	121	128
Clear & HO	93	104	107	109	119
Frosted & SO	60	65	71	74	78
Frosted & HO	57	64	66	67	73
Power Supply	Class II				
Operating Voltage _{dc}	24V				
Fixture Connectors	Indoor PlugnGo, Outdoor PlugnGo, Flying Leads				
Fixture Mounting	Very High Bond Tape, Spring Clip, Articulating Clip, Channel Clip, Deep Channel Clip				
Environmental Rating	Wet				
Certifications	UL				
Warranty _{Limited}	5 years				
Product Dimensions _{wxh}	0.60 x 0.62 in				
Operating Temp Range	-20 to 120 °F				
Storage Temp Range	-40 to 160 °F				
Weight _{lbs/ft}	0.16 lb / ft				

Specification subject to change without prior notification

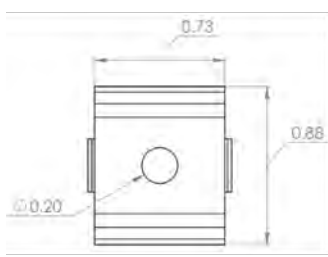
Ordering Information

Example: CON-11S-830F-115-LE-IRE-CC-SB

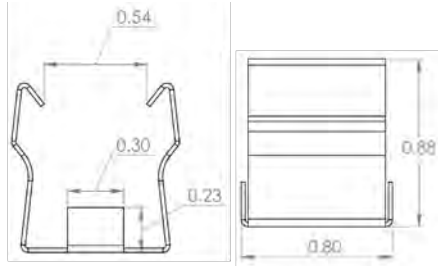
Product	Length ¹	Output	CRI ²	Color	Extrusion	Beam Angle	Ingress Cable Orientation	iPosition	Termination ³	Ingress Opposite Orientation ⁴	Egress Cable Position	Mount	Accessory	APosition
CON	##	SO HO	80+ 90+	27 30 35 40 50	Frosted Clear	115	Left Right	End Back Nearside Farside	IPG OPG	Right Left	X - None End Back Nearside Farside	BT - Very High Bond Tape SC - Spring Clip AC - Articulating Spring Clip CC - Channel Clip DC - Deep Channel Clip	Blank - None Switch	Blank - None Nearside Farside Back FRont End

¹ Fixture length in inches, ² CRI does not apply to Colors; leave blank ³ Indoor PlugnGo, Outdoor PlugnGo ⁴ Will always be the opposite letter of the Ingress Cable Orientation (R or L)

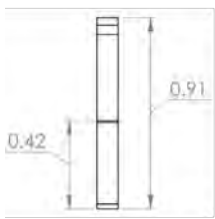
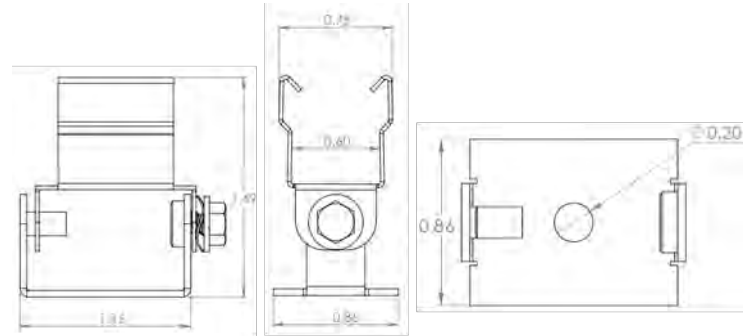
Mounting Clips



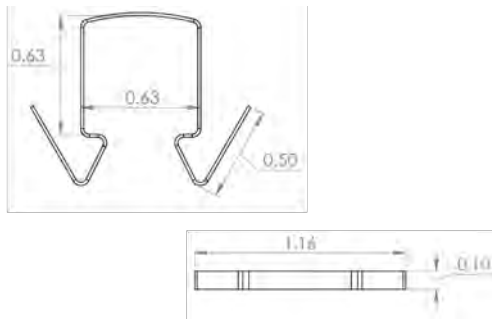
Stainless Spring Clip



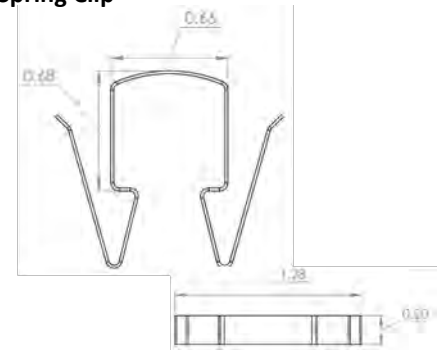
Articulating Spring Clip



Steel Channel Clip



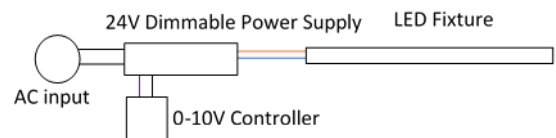
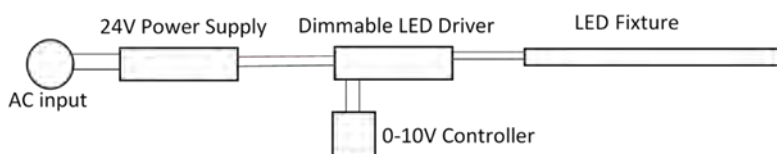
Deep Channel Clip



- All dimensions in INCHES

Dimming

The **Profile Series** integrates on board constant current regulation and requires a constant voltage power supply input. Dimming of these fixtures is achieved via Pulse Width Modulation, PWM, to control the driver output. The two methods recommended for dimming are through use of an inline PWM dimming controller in conjunction with the constant voltage power supply, or through use of a dimming compatible driver that will output a PWM signal.



Neotour PROFILE SERIES

The imitation of neon with an LED has never been so simple or appealing. Thanks to Prolume's Neotour offering, specifiers are now able to replicate a soft neon glow that previously was only possible through traditional neon tubes.

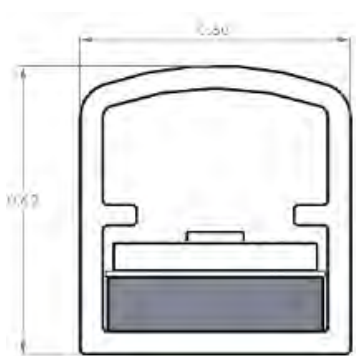
Utilizing a tight pitch LED spacing in conjunction with a proprietary frosted lens, the **Neotour** delivers a neon glow certain to complement and please. Constructed using LEDs from industry leaders and implementing a very tight binning process, the **Neotour** ensures consistency in color temperature and hue. Like all other members of the Profile Series, **Neotour** consumes a trivial 2 watts per foot and will contribute to power savings in all applications.

With fixed and articulating mounting options available and the ability to daisy chain multiple fixtures to a single driver, **Neotour** is an ideal solution for applications striving to add the flair of smooth neon lighting to any venue.

Features

- Made in America craftsmanship and quality
- Tailored fixture lengths, CCT, CRI and watts per foot to meet exact application requirements
- Available in four colored LED options
- Ultra-low profile for seamless application integration
- Fixed and articulating mounting options
- Fixtures can be daisy chained to form a longer run and energized from a single driver

Mechanical Profile & Compliance



- All dimensions in INCHES



LOW VOLTAGE LINEAR LUMINAIRE




Specifications					
CCT	2700K	3000K	3500K	4000K	5000K
LED Pitch					
Lumen Output					
Frosted & SO	101	110	118	124	131
Frosted & HO	191	213	220	224	245
CRI	80+				
Beam Angle	90°				
Lens	Frosted				
Dimmable	Yes				
On Board Dimming	No				
Radius _{ft}	Consult Factory				
Construction	Polycarbonate Plastic				
Housing	Polycarbonate body & lens				
Fixture Length	Min 5" Max 102"				
Ordering Increments	1"				
Power Consumption _(W/Ft)	2W				
Efficacy _(LM/W)					
Frosted & SO	51	55	59	62	66
Frosted & HO	64	71	73	75	82
Power Supply	Class II				
Operating Voltage _{DC}	24V				
Fixture Connectors	Indoor PlugnGo, Outdoor PlugnGo, Flying Leads				
Fixture Mounting	Very High Bond Tape, Spring Clip, Articulating Clip, Channel Clip, Deep Channel Clip				
Environmental Rating	Wet				
Certifications	UL				
Warranty _{Limited}	5 years				
Product Dimensions _{WxH}	0.60 x 0.62 in				
Operating Temp Range	-20 to 120 °F				
Storage Temp Range	-40 to 160 °F				
Weight	0.15 lb / ft				

Specification subject to change without prior notification

Ordering Information

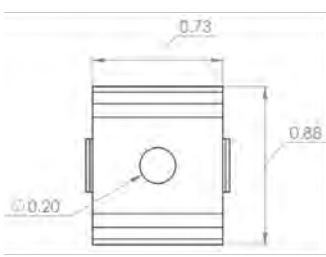
Example: NEO-55S-830F-90-LE-IRX-AS-SR

Product	Length ¹	Output	CRI ²	Color	Extrusion	Beam Angle	Ingress Cable Orientation	iPosition	Termination ³	Ingress Opposite Orientation ⁴	Egress Cable Position	Mount	Accessory	APosition
NEO	##	SO HO	80+ 90+	27 30 35 40 50 RED GRN BLU YLW AMB	Frosted	115	Left Right	End Back Nearside Farside	IPG OPG	Right Left	X - None End Back Nearside Farside	BT - Very High Bond Tape SC - Spring Clip AC - Articulating Spring Clip CC - Channel Clip DC - Deep Channel Clip	Blank - None Switch	Blank - None Nearside Farside Back FRont End

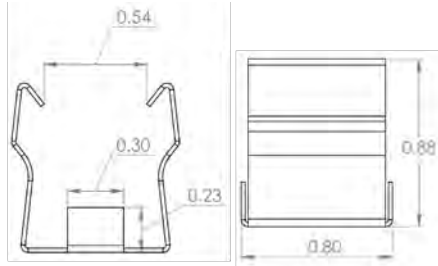


¹ Fixture length in inches, ² CRI does not apply to Colors; leave blank ³ Indoor PlugnGo, Outdoor PlugnGo ⁴ Will always be the opposite letter of the Ingress Cable Orientation (R or L)

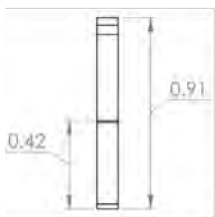
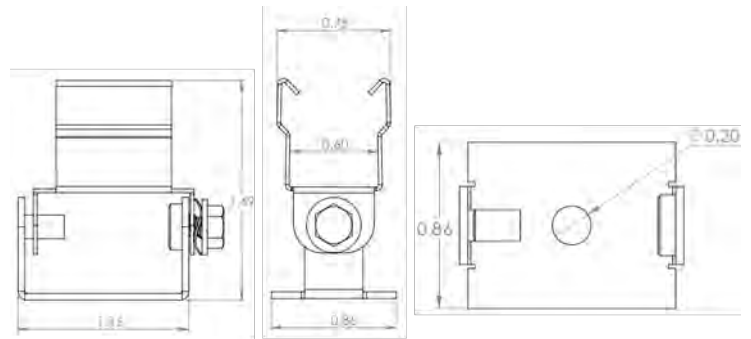
Mounting Clips



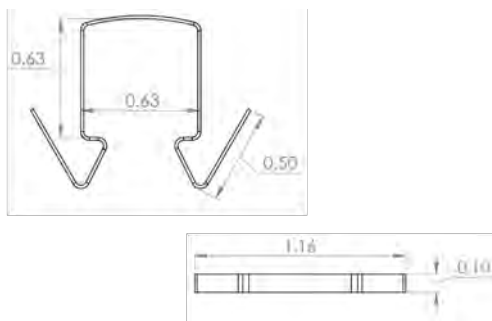
Stainless Spring Clip



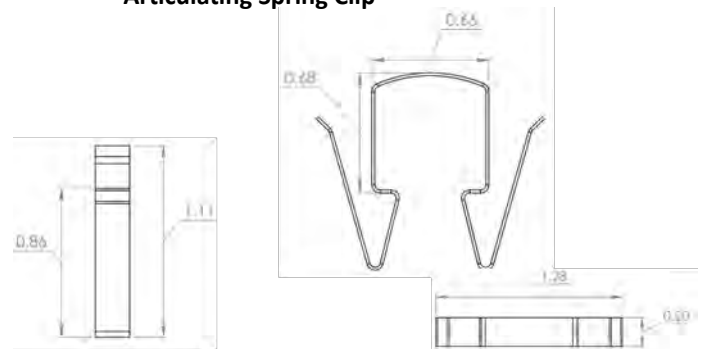
Articulating Spring Clip



Steel Channel Clip



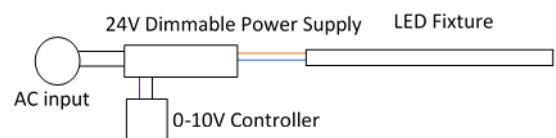
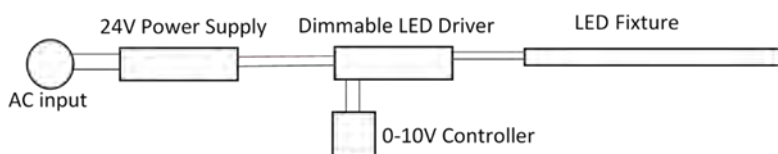
Deep Channel Clip



Dimming

- All dimensions in INCHES

The **Profile Series** integrates on board constant current regulation and requires a constant voltage power supply input. Dimming of these fixtures is achieved via Pulse Width Modulation, PWM, to control the driver output. The two methods recommended for dimming are through use of an inline PWM dimming controller in conjunction with the constant voltage power supply, or through use of a dimming compatible driver that will output a PWM signal.



Chromatour PROFILE SERIES

Designed as the intersection of high quality and cost effective, **Chromatour** is a RGBW linear luminaire like no other currently in the market. Leveraging state-of-the-art mid-power LED technology, **Chromatour** delivers maximum brightness, color consistency and efficiency in a small low voltage linear luminaire package.

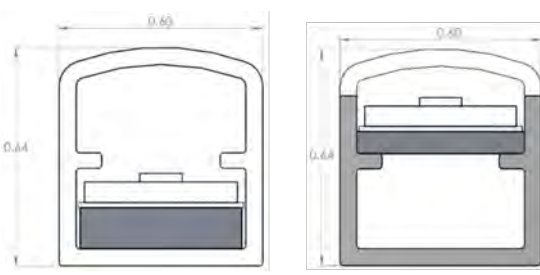
Chromatour is synonymous with lighting variety and allows you to add color accents to any space. Set the tone of the room with a vibrant red, cool blue, energetic green, illuminating white or any mixture imaginable. Complemented by a proprietary diffused lens, **Chromatour** will create a soft neon like glow or light up a plane with a clean and crisp illumination. Housed in a small and efficient profile, **Chromatour** is easy to conceal in a cove or under a cabinet while sufficiently powerful to deliver the desired illumination. Constructed with LEDs from industry leaders and implementing a very tight binning process, **Chromatour** ensures consistency in color temperature and hue across the entire length of the fixture.

With either fixed or articulating mounting options available and the ability to daisy chain multiple fixtures to a single driver, **Chromatour** is an ideal solution for applications where lighting requirements are dynamic and illumination variety is desired.

Features

- Made in America craftsmanship and quality
- RGBW in customized fixture lengths
- Ultra-low profile for seamless application integration
- Fixed and articulating mounting options
- Designed to work multiple control systems including DMX





Mechanical Profile & Compliance



90° Beam Angle

115° Beam Angle

- All dimensions in INCHES

LOW VOLTAGE LINEAR LUMINAIRE



Specifications	3000K	4000K	5000K	6000K	RGB
CCT ¹	3000K	4000K	5000K	6000K	RGB
LED Pitch	0.5 in				
Lumen Output					
Clear & White	72	72	93	103	
Clear & RGBW	324	324	418	464	
Frosted & White	44	44	57	63	
Frosted & RGBW	196	196	253	281	
Domiant Wavelength					
Red					619 - 624
Green					520 - 535
Blue					460 - 475
CRI	80+				
Beam Angle	90° & 115°				
Lens	Clear & Frosted				
Dimmable	Yes				
On Board Dimming	No				
Housing	Polycarbonate body & lens				
Fixture Length	Min 4 Max 97 in				
Ordering Increments	3 in				
Power Consumption ^(W/FT)					
Single Channel - White					1.44
Four Channel - RGBW					5.76
Efficacy ^(LM/W)					
Clear & White	50	50	64	72	
Clear & RGBW	56	56	73	81	
Frosted & White	31	31	39	44	
Frosted & RGBW	34	34	44	49	
Power Supply	Class II				
Operating Voltage ^{Dc}	24V				
Fixture Connectors	M12 & Outdoor PlugnGo				
Fixture Mounting	Very High Bond Tape, Spring, Articulating, Channel & Deep Channel				
Environmental Rating	Wet				
Certifications	UL				
Warranty ^{Limited}	5 years				
Product	0.60 x 0.62 in				
Dimensions ^{SWxH}	0.60 x 0.62 in				
Operating Temp Range	-40 to 120 °F				
Storage Temp Range	-40 to 140 °F				
Weight	0.15 lb / ft				

Specifications subject to change without prior notification. ¹ CCT

Ordering Information

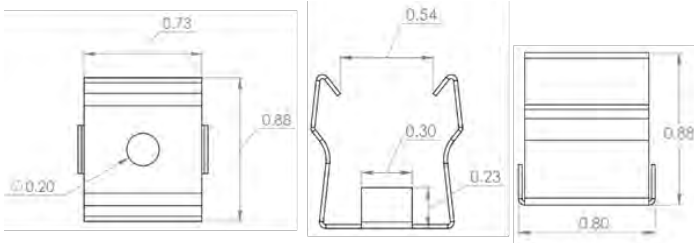
Example: CHR-72S-850F-90-LE-MRX-SC

Product	Length	Output	CRI	CCT	Extrusion	Beam Angle	Ingress Cable Orientation	iPosition	Termination	Egress Cable Orientation	ePosition	Mount
CHR	#	SO	80+	30	Clear	90	Left	End	M12	Right	X - None	BT - Very High Bond Tape
				40	Frosted	115	Right	Back	OPG	Left	End	SC - Spring Clip
				50				Nearside			Back	AC - Articulating Spring
				60				Farside			Nearside	CC - Channel Clip
										Farside	D - Deep Channel Clip	

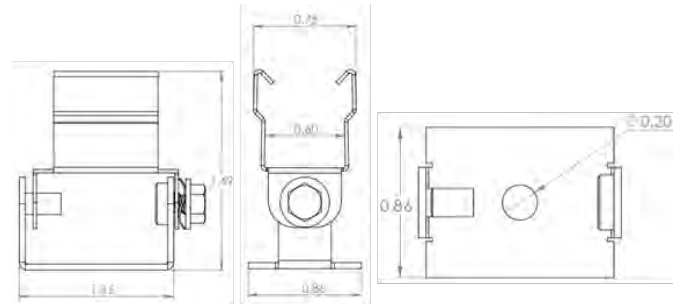


¹ Fixture length in inches, ² Both IP67 and the M12 can be wired in the field ³ Will always be the opposite letter of the Ingress Cable Orientation (R or L)

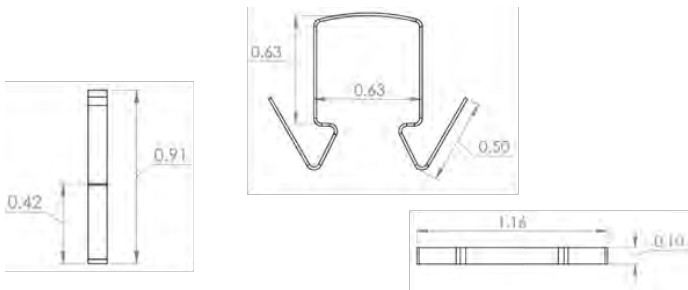
Mounting Clips



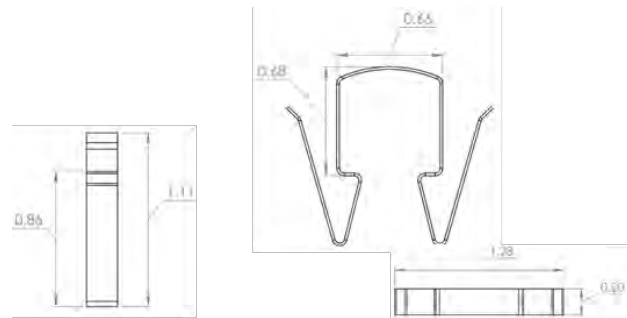
Stainless Spring Clip



Articulating Spring Clip

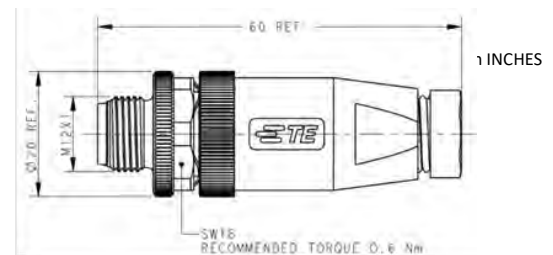
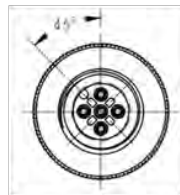
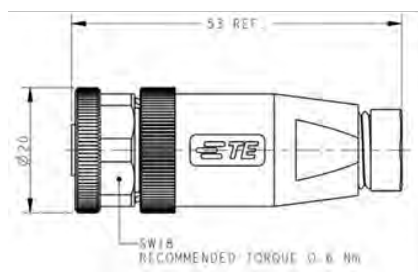


Steel Channel Clip



Deep Channel Clip

Termination



The M12 is IP67 rated connector and can be terminated in the field by the installer.

Control

The versatile and robust architecture of **Chromatour** is designed to work with a wide variety of 24V_{DC} RGBW controls that are available in the marketplace. Contact your Prolume representative for specific questions related to your control plans or environment.

CS DUO SERIES

LOW VOLTAGE LINEAR LUMINAIRE

The **Duo CS** once again proves that the whole is greater than the sum of its parts. Designed with a sleek contemporary flair, the **CS** blends into many venues and visually complements the surroundings. Once energized, the setting is transformed and engulfed by the fixture's crisp and clean illumination.

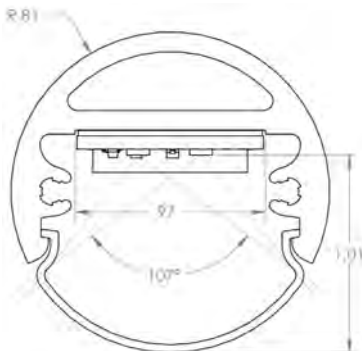
Based upon a dual row LED light engine design, the **CS** is available in both a standard and high output configuration capable of delivering over five-hundred-twenty-five (525+) lumens. The solid extruded aluminum envelop has a one-hundred-seven-degree (107°) lens opening and a beam angle of one-hundred-fifteen degrees (115°). Whether suspension or wall mounted, the **CS** can be articulated one-hundred-fifty-degrees (150°) to illuminate an area precisely.

Available in one inch increments up to ninety-six inches (96") or join with unions to create a single two-hundred-fifty-two inch (252") contiguous fixture length. Configurable as a daisy chain connection or with multiple fixtures connected to a single driver, the **CS** is only limited by the specifier's imagination and is certain create the desired striking visual impression wherever

Features

- Made in America quality and craftsmanship
- Customizable fixture lengths, CCT and CRI available
- Five standard CCTs and custom options available
- Broad and even light distribution with zero pixelation
- Daisy chain or connect multiple fixtures to a single driver
- Ultra-light weight envelope of three ounces per foot

Mechanical Profile & Compliance



- All dimensions in INCHES



Specifications					
CCT	2700K	3000K	3500K	4000K	5000K
LED Pitch	Dual 0.5"				
Lumen Output					
SO	242	249	250	278	289
HO	442	456	459	511	528
SO - IP65	211	217	218	242	251
HO - IP65	376	388	390	434	449
CRI	80+ & 90+				
Beam Angle	115°				
Lens	Frosted				
Dimmable	Yes				
On Board Dimming	No				
Construction	Aluminum & Polycarbonate				
Housing Finish	Anodized Aluminum or White Powder Coat				
Fixture Length _{min}	8"				
Fixture Length _{max}	96"				
Ordering Increments	1"				
Power Consumption _w	SO 3.84W HO 7.68W				
Efficacy _{LM/w}					
SO	63	65	65	72	75
HO	58	59	60	67	69
SO - IP65	55	56	57	63	65
HO - IP65	49	50	51	57	58
Power Supply	Class II				
Operating Voltage _{dc}	24V				
Fixture Connectors	Indoor PlugnGo, Outdoor PlugnGo				
Fixture Mounting	Suspension Cable, Pendant Tube				
Fixture Extender	Aluminum Coupling				
Fixture Articulation	150°				
Environmental Rating	Dry, Damp & Wet (IP65)				
Certifications	UL				
Warranty _{Limited Product}	5 years				
Dimensions	Fixture End Cap				
	1.6" 1.88"				
Operating Temp Range	-40 to 120 °F				
Storage Temp Range	-40 to 150 °F				
Weight	0.75 lb / ft				

Specifications subject to change without prior notification

Ordering Information

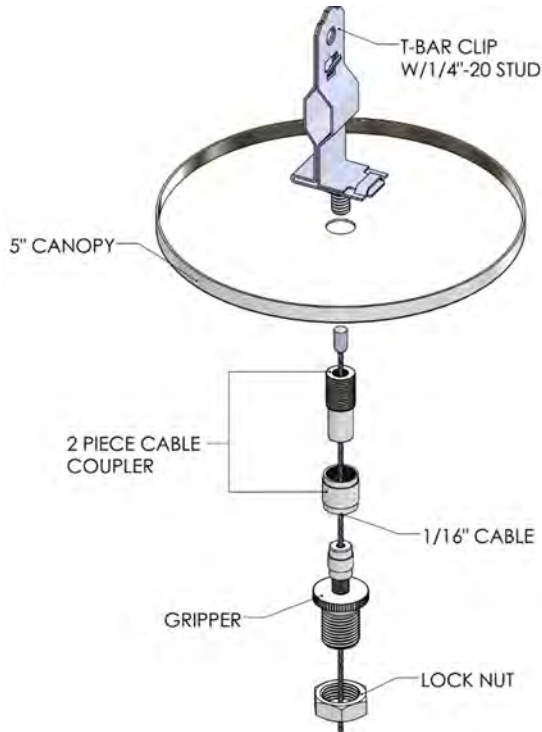
Example: CS-88H-950-115F-LE-IRX-SG

Product	Length ¹	Output	CRI	Color	Beam Angle	Lens	Cable Orientation	iPosition	Termination ²	Cable Orientation ³	ePosition	Mount	Accessory
CS Dry/Damp	##	SO	80+	27	115	Frosted	Left	End	IPG	Right	X - None	ST Tbar	None
CS65 - IP65		HO	90+	30			Right	Back	OPG	Left	End	SG Cable	Union
				35				Nearside			Back	PT - Pendant Tube	
				40				Farside			Nearside		
				50							Farside		

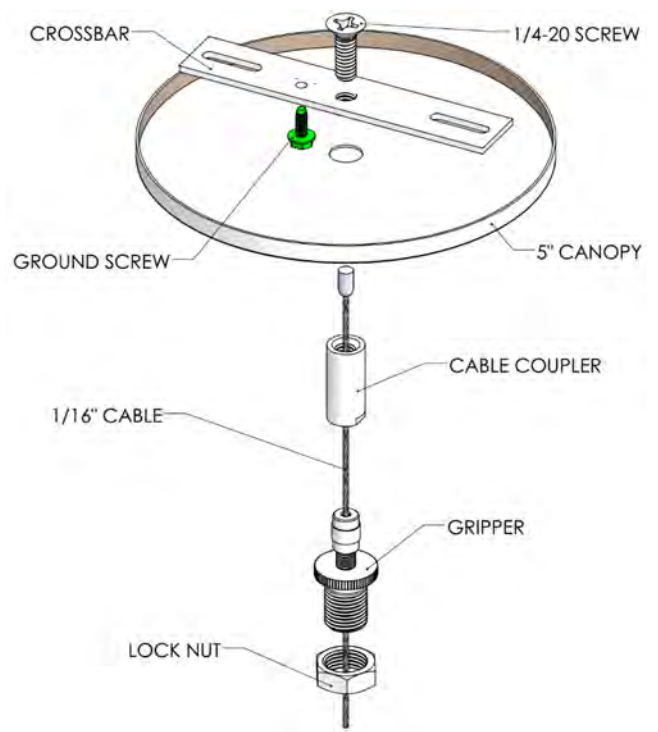


¹ Fixture length in inches. ² Indoor PlugnGo for Dry/Damp & Outdoor PlugnGo for IP67. ³ Will always be the opposite letter of the Ingress Cable Orientation (R or L)

Mounting Clips



Suspension TBar Grip

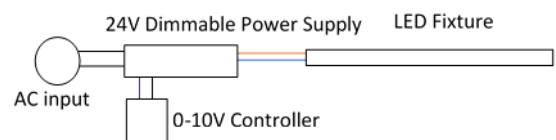
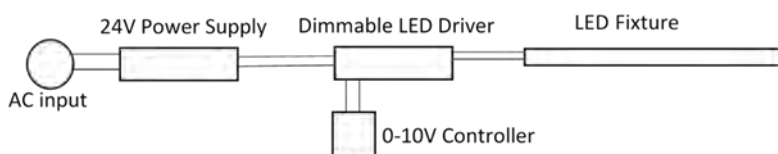


Suspension Cable Grip

- All dimensions in INCHES

Dimming

The **Duo Series** integrates on board constant current regulation and requires a constant voltage power supply input. Dimming of these fixtures is achieved via Pulse Width Modulation, PWM, to control the driver output. The two methods recommended for dimming are through use of an inline PWM dimming controller in conjunction with the constant voltage power supply, or through use of a dimming compatible driver that will output a PWM signal.



CSS DUO SERIES

LOW VOLTAGE LINEAR LUMINAIRE

Building upon the **Duo CS**, the CS Sconce (**CSS**) transforms the beauty of a suspension fixture to an elegant wall mount. Maintaining the contemporary lines of the series, the **CSS** can be mounted from the base to present as a traditional asymmetric sconce or mid-mounted to deliver balance and symmetry.

Either selection will complement any venue while delivering crisp and clean illumination and with multiple mounting configurations available, placement options for the **CSS** abound.

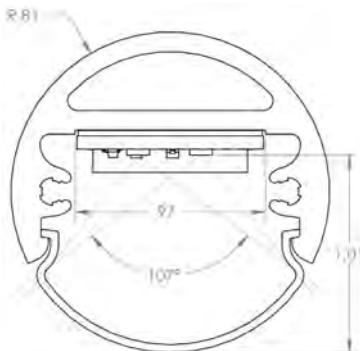
Energized by a dual row LED light engine design, the **CSS** is available in both a standard and high output configuration capable of delivering over five-hundred-twenty-five (525+) lumens per foot. The solid extruded aluminum envelop has a one-hundred-seven-degree (107°) lens opening and a beam angle of one-hundred-fifteen degrees (115°).

Available in one inch increments from twelve-inches (12") up to forty-eight-inches (48") the **CSS** is available in custom lengths to achieve the desired visual impression envisioned by the specifier.

Features

- Made in America quality and craftsmanship
- Customizable fixture lengths, CCT and CRI available
- Five CCTs and four colored LED options
- Natural anodized aluminum or white powder coated finish standard; custom color powder coats available
- Daisy chain or connect multiple fixtures to a single driver

Mechanical Profile & Compliance



- All dimensions in INCHES



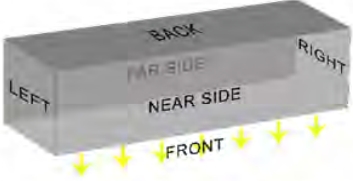
Specifications						
CCT		2700K	3000K	3500K	4000K	5000K
LED Pitch		Dual 0.5"				
Lumen Output						
	SO	242	249	250	278	289
	HO	442	456	459	511	528
CRI		80+ & 90+				
Beam Angle		115°				
Lens		Frosted				
Dimmable		Yes				
On Board Dimming		No				
Construction		Aluminum & Polycarbonate				
Housing Finish		Anodized Aluminum or White Powder Coat				
Fixture Length _{Min}		12"				
Fixture Length _{Max}		48" Mid Mount, 24" End Mount				
Ordering Increments		1"				
Power Consumption _w		SO 3.84W HO 7.68W				
Efficacy _{LM/W}						
	SO	63	65	65	72	75
	HO	58	59	60	67	69
Power Supply		Class II				
Operating Voltage _{DC}		24V				
Fixture Connectors		Flying Lead				
Fixture Mounting		End Mount & Mid Mount				
Environmental Rating		Dry & Damp				
Certifications		UL				
Warranty _{Limited Product}		5 years				
Dimension		Fixture				
		1.6"				
Operating Temp Range		-40 to 130 °F				
Storage Temp Range		-40 to 150 °F				
Weight		0.75 lb / ft				

* Specifications subject to change without prior notification

Ordering Information

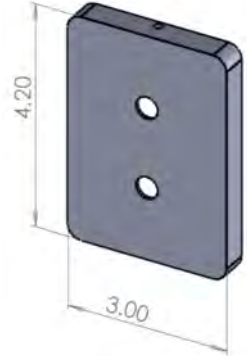
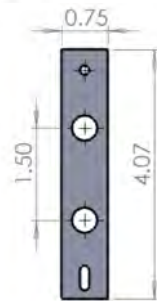
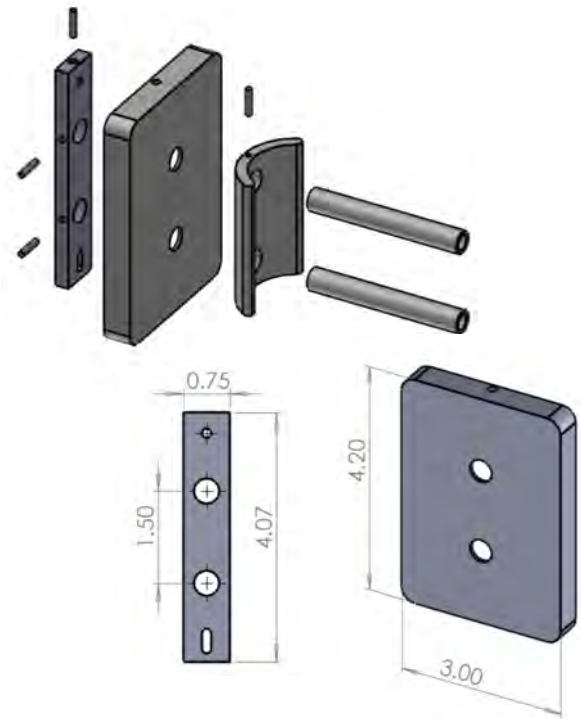
Example: CSS-16H-950-115F-BSM4

Product	Length ¹	Output	CRI	Color	Beam Angle	Lens	Cable on	Mount	Rod ²
CSS	##	SO	80+	27	115	Frosted	Back	SE End	4
		HO	90+	30				SM Mid	6
				35					
				40					
				50					
				RED					
				GRN					
				BLU					
				YLW					



¹ Fixture length in inches ² Distance from wall to face of fixture for SM only: leave blank for SE

Mounting Brackets



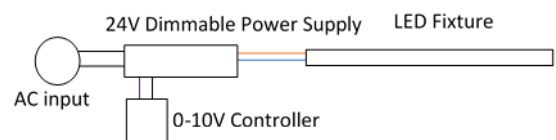
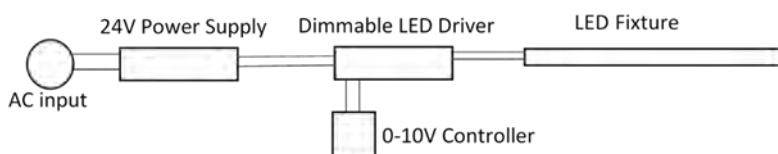
Sconce End Mount

Sconce Mid Mount

Dimming

- All dimensions in INCHES

The **Duo Series** integrates on board constant current regulation and requires a constant voltage power supply input. Dimming of these fixtures is achieved via Pulse Width Modulation, PWM, to control the driver output. The two methods recommended for dimming are through use of an inline PWM dimming controller in conjunction with the constant voltage power supply, or through use of a dimming compatible driver that will output a PWM signal.



CSW DUO SERIES

LOW VOLTAGE LINEAR LUMINAIRE

The versatility of the **Duo Series** continues with the introduction of the **CSW**. Designed specifically for wall mount applications the **CSW** sports three wall standoff options for positioning the fixture. Accompanied by one-hundred-fifty-degree articulation which can be mounted to illuminate upward or downwards, the applications for **CSW** are virtually limitless.

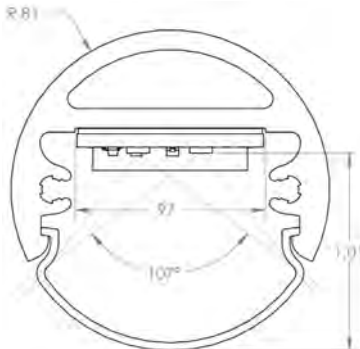
Utilizing the proven dual row LED light engine design, the **CSW** is available in both a standard and high output configuration capable of delivering over five-hundred-twenty-five (525+) lumens per foot. The solid extruded aluminum envelop has a one-hundred-seven-degree (107°) lens opening and a beam angle of one-hundred-fifteen degrees (115°). To expand the **CSW** versatility, fixtures can be coupled together with union fittings to form a longer continuous fixture run.

As with all Prolume fixtures, the **CSW** is available in one inch increments up to ninety-six inches (96") as single fixture and up to two-hundred-fifty-two inches (252") when coupled with the optional unions. Configurable as a daisy chain or with multiple fixtures connected to a single driver, the **CSW** is limited only by imagination and will certainly create a striking impression.

Features

- Made in America quality and craftsmanship
- Customizable fixture lengths, CCT and CRI available
- Five CCTs and four colored LED options
- Natural anodized aluminum or white powder coated finish standard; custom color powder coats available
- Daisy chain or connect multiple fixtures to a single driver
- 150° Built-in articulation

Mechanical Profile & Compliance



- All dimensions in INCHES



Specifications					
CCT	2700K	3000K	3500K	4000K	5000K
LED Pitch	Dual 0.5"				
Lumen Output					
SO	242	249	250	278	289
HO	442	456	459	511	528
SO - IP65	208	214	215	239	249
HO - IP65	380	392	395	439	454
CRI	80+ & 90+				
Beam Angle	115°				
Lens	Frosted				
Dimmable	Yes				
On Board Dimming	No				
Construction	Aluminum & Polycarbonate				
Housing Finish	Anodized Aluminum or White Powder Coat				
Fixture Length _{Min}	8"				
¹ Fixture Length _{Max}	96"				
Ordering Increments	1"				
Power Consumption _{W/Ft}	SO 3.75W HO 7.44W				
Efficacy _{LM/W}					
SO	65	66	67	74	77
HO	59	61	62	69	71
SO - IP65	55	57	57	64	66
HO - IP65	51	53	53	59	61
Power Supply	Class II				
Operating Voltage _{DC}	24V				
Fixture Connectors	Flying Lead				
Fixture Mounting	Wall Mount				
Fixture Extender	Aluminum Coupling				
Fixture Articulation	150°				
Environmental Rating	Dry, Damp & Wet (IP65)				
Certifications	UL				
Warranty _{Limited}	5 years				
Product Dimension _{Diameter}	Fixture End Cap				
	1.6" 1.88"				
Operating Temp Range	-40 to 130 °F				
Storage Temp Range	-40 to 150 °F				
Weight	0.75 lb / ft				

*Specifications subject to change without prior notification, 1 Varies with bracket selection

Ordering Information

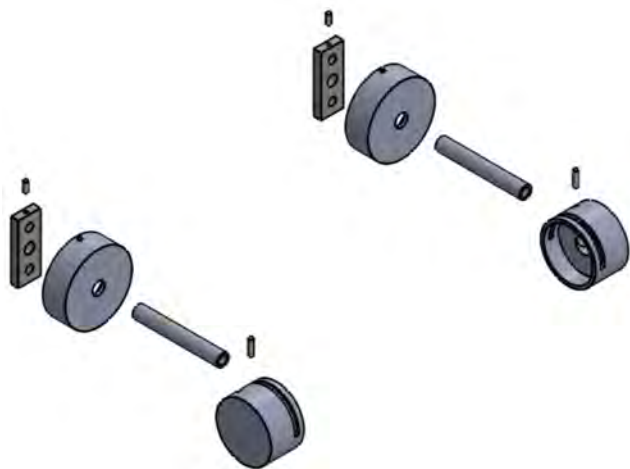
Example: CSW-48S-840-115F-LBE-WE8U

Product	Length ¹	Output	CRI	Color	Beam Angle	Lens	Ingress Cable Orientation	iPosition	Egress Cable Orientation ²	Mount	Rod ³	Accessory
CSW Dry/Damp	##	SO	80+	27	115	Frosted	Left	Back	X - None	E End	4	None
CSW65 - IP65		HO	90+	30					End		8	Union
				35							12	
				40								
				50								
				RED								
				GRN								
				BLU								
				YLW								

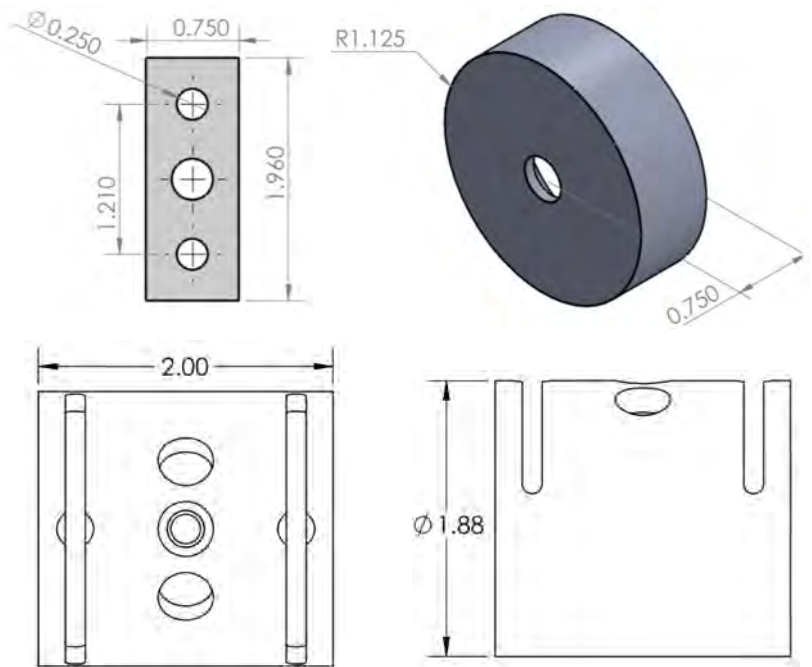


¹ Fixture length in inches. ² Select End only when using a Union accessory otherwise X. ³ Distance from wall to face of fixture

Mounting Bracket



Wall End Mount



Union

- All dimensions in INCHES

Dimming

The **Duo Series** integrates on board constant current regulation and requires a constant voltage power supply input. Dimming of these fixtures is achieved via Pulse Width Modulation, PWM, to control the driver output. The two methods recommended for dimming are through use of an inline PWM dimming controller in conjunction with the constant voltage power supply, or through use of a dimming compatible driver that will output a PWM signal.



HM DUO SERIES

LOW VOLTAGE LINEAR LUMINAIRE

The **Duo Series** expands with the addition of the HM. An ultra-light weight linear luminaire weighing a miniscule three (3) ounces per foot yet still able to deliver over five-hundred-ninety (590) lumens per foot. With the capability to project an exceptionally even and broad light distribution, the HM touts a non-pixelated glow through a custom designed frosted lens.

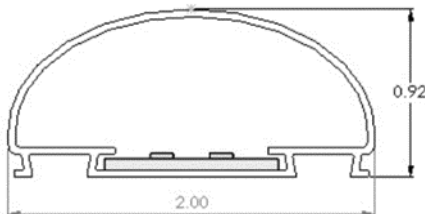
Powered by a proven dual row LED light engine design, the **HM** is offered with either a standard or high output configuration that can deliver over five-hundred-ninety (590) lumens per foot. Furthermore, the HM will deliver an even glow over a one-hundred-fifty (150°) beam angle from a low profile that will blend into virtually any venue.

Keeping with tradition, the **HM** is available in one inch increments up to ninety-six-inches (96") to form a single fixture. With an optional integrated switch, the **HM** can provide the convenience of manual control when the application requires. Configurable as a daisy chain connection or with multiple fixtures connected to a single driver, the **HM** is ideal for task, general illumination and display lighting applications.

Features

- Made in America quality and craftsmanship
- Customizable fixture lengths, CCT and CRI available
- Five standard CCTs and custom options available
- Broad and even light distribution with zero pixelation
- Daisy chain or connect multiple fixtures to a single driver
- Ultra-light weight envelope of three ounces per foot

Mechanical Profile & Compliance



- All dimensions in INCHES



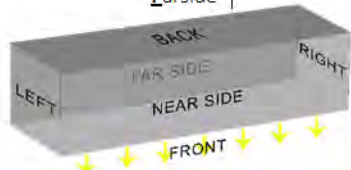
Specifications					
CCT	2700K	3000K	3500K	4000K	5000K
LED Pitch	Dual 0.5"				
Lumen Output					
SO	321	330	355	370	381
HO	584	600	635	669	695
CRI	80+ & 90+				
Beam Angle	150°				
Lens	Frosted				
Dimmable	Yes				
On Board Dimming	No				
Construction	Polycarbonate				
Housing Finish	White				
Fixture Length _{Min}	8"				
Fixture Length _{Max}	96"				
Ordering Increments	1"				
Power Consumption _w	SO 3.84W HO 7.68W				
Efficacy _{LM/w}					
SO	84	86	92	96	99
HO	76	78	83	87	90
Power Supply	Class II				
Operating Voltage _{dc}	24V				
Fixture Connectors	Indoor PlugnGo, Outdoor PlugnGo				
Fixture Mounting	Fixed Surface Mount Clip				
Environmental Rating	Dry & Damp				
Certifications	UL				
Warranty _{Limited Product}	5 years				
Dimensions	0.92" x 2.0"				
Operating Temp Range	-40 to 120 °F				
Storage Temp Range	-40 to 140 °F				
Weight	0.75 lb / ft				

* Specifications subject to change without prior notification

Ordering Information

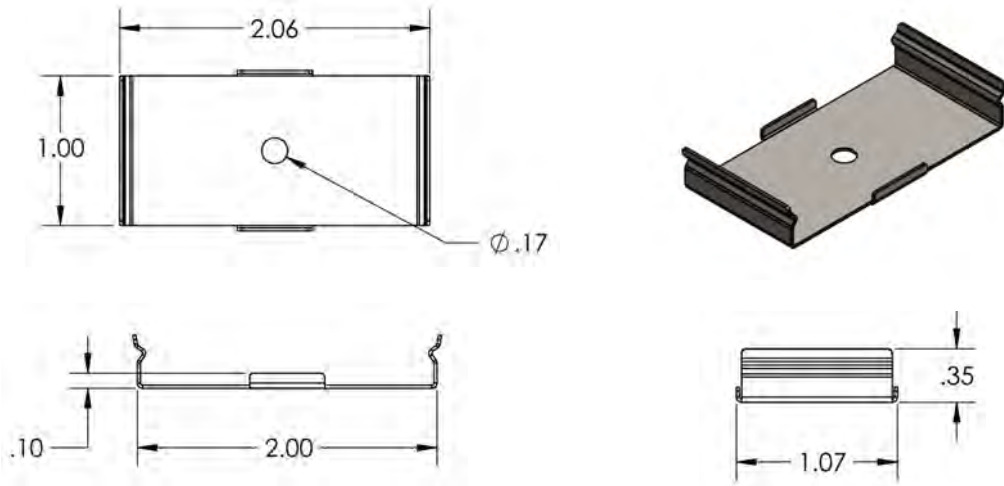
Example: HM-90S-940-150F-LE-ORX-SM-SW

Product	Length ¹	Output	CRI ²	Color	Beam Angle	Lens	Ingress Cable Orientation	iPosition	Termination	Egress Cable Orientation ³	ePosition	Mount	Accessory
HM	##	SO	80+	27	150	Frosted	Left	End	IPG	Right	X - None	SM - Surface Mount	Blank - None
		HO	90+	30			Right	Back	OPG	Left	End		SWitch
				35				Nearside			Back		
				40				Farside			Nearside		
				50							Farside		
				RED									
				GRN									
				BLU									



¹ Fixture length in inches. ² CRI does not apply to RGB Colors; leave blank. ³ Will always be the opposite letter of the Ingress Cable Orientation (R or L)

Mounting Clip



Surface Mount Clip

Dimming

- All dimensions in INCHES

The Duo Series integrates on board constant current regulation and requires a constant voltage power supply input. Dimming of these fixtures is achieved via Pulse Width Modulation, PWM, to control the driver output. The two methods recommended for dimming are through use of an inline PWM dimming controller in conjunction with the constant voltage power supply, or through use of a dimming compatible driver that will output a PWM signal.

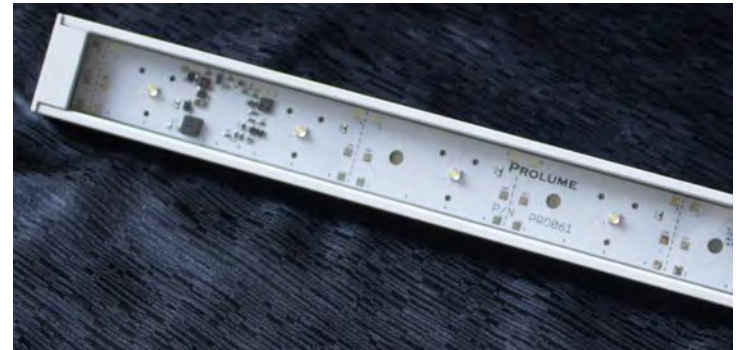


LOW VOLTAGE LINEAR LUMINAIRE

A staple for many lighting specifiers, the LO delivers a light distribution that is ideal for general lighting when significant illumination is required.

Manufactured in America and constructed with a sturdy extruded aluminum housing, the LO delivers superior lumen output from a very low-profile package. Produced in both standard output and high output, the LO includes onboard 0 – 10 V_{DC} dimming and both fixed and articulating mounting options to deliver the maximum versatility for nearly any linear application.

Offered with either a clear or frosted lens option and able to serve dry environments, with a damp option available, the LO satisfies many needs for specifiers around the globe. Touting all these features, it is easy to understand why LO has been specified as the ideal solution for demanding applications that include cove, accent and task lighting.



Features

- Made in America quality and craftsmanship
- Five CCTs and four colored LED standard options
- Customizable fixture lengths, CCT and CRI available
- Powder coated, low profile aluminum extrusion for seamless integration
- Fixed and articulating mounting options
- Fixtures can be daisy chained to form a longer run and energized from a single driver
- Onboard 0 - 10V_{DC} dimming circuitry

Mechanical Profile & Compliance



- All dimensions in INCHES

Specifications					
CCT	2700K	3000K	3500K	4000K	5000K
LED Pitch	2"				
Lumen Output					
Clear & SO	485	485	487	561	650
Clear & HO	618	618	621	717	844
Frosted & SO	423	423	424	449	520
Frosted & HO	538	538	541	574	676
CRI	80+ & 90+				
Beam Angle	115°				
Lens	Clear & Frosted				
Dimmable	Yes				
On Board Dimming	Yes				
Construction	Aluminum & Plastic				
Housing	White Powder Coated Aluminum				
Fixture Length _{Min}	SO 5" HO 5"				
Fixture Length _{Max}	SO 102" HO 96"				
Ordering Increments	1"				
Daisy-Chain Capable	Yes				
Power Consumption _w	SO 7W HO 10W				
Efficacy _{LM/w}					
Clear & SO	69	69	70	80	93
Clear & HO	62	62	62	72	84
Frosted & SO	60	60	61	64	74
Frosted & HO	54	54	54	57	68
Power Supply	Class II				
Operating Voltage _{DC}	24V				
Fixture Connectors	Indoor PlugnGo, Outdoor PlugnGo				
Fixture Mounting	Fixed Mounting Clip, Articulating Mounting Clip				
Environmental Rating	Dry				
Certifications	UL				
Warranty _{Limited}	5 years				
Product Dimensions _{WxH}	1.25 x 0.50 in				
Operating Temp Range	-20 to 120 °F				
Storage Temp Range	-40 to 160 °F				
Weight	0.60 lb / ft				

Specifications subject to change without prior notification

Ordering Information

Example: LO-23H-827-115C-LE-IRB-FM

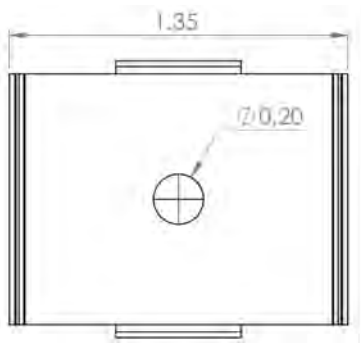
Product	Length ¹	Output	CRI ²	Color	Beam Angle	Lens	Ingress Cable Orientation	Position	Termination ³	Egress Cable Orientation ⁴	Position	Mount
LO	##	SO	80+	27	115	Clear	Left	End	IPG	Right	X - None	FM - Fixed Mount
			90+	30		Frosted	Right	Back	OPG	Left	End	AM - Articulating Mount
				35				Nearside			Back	
				40				Farside			Nearside	
				50							Farside	
				RED								
				GRN								
				BLU								
				AMB								



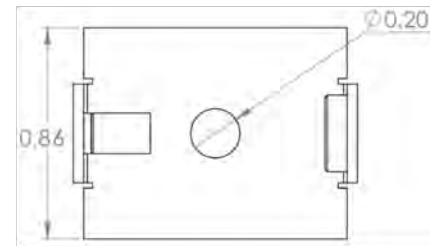
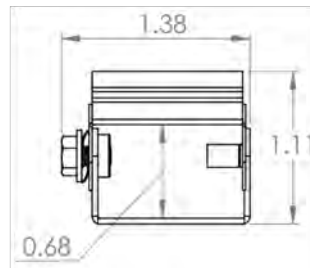
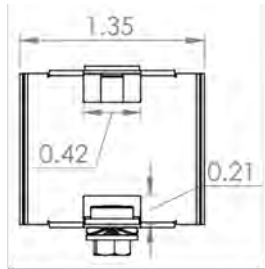
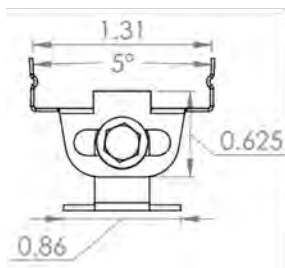
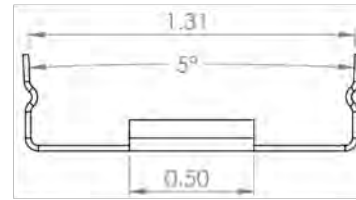
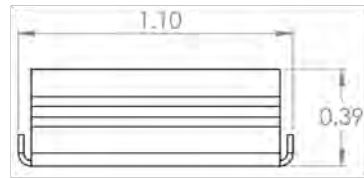
¹ Fixture length in inches, ² CRI does not apply to Colors; leave blank ³ Indoor PlugGo, Outdoor PlugGo or Flying leads ⁴ Will always be the opposite letter of the Ingress Cable Orientation (R or L)

Mounting Clips

Mounting Clips



Fixed Mounting Clip

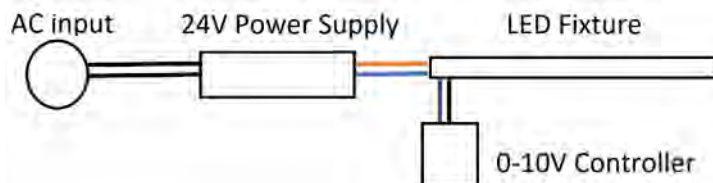


Articulating Mounting Clip

- All dimensions in INCHES

Dimming

The Luma Series of products are designed with a built-in dimming circuit that requires a 0 - 10 V_{DC} sinking dimming controller to properly function. Either a third party sinking dimmer controller can be used or select one of two available options in the LEDynamics LVD Series of dimmer solutions.



Building upon the benefits of the LO, the LOfx adds a variety of optical solutions for beam sculpting to serve the specific needs of a venue...

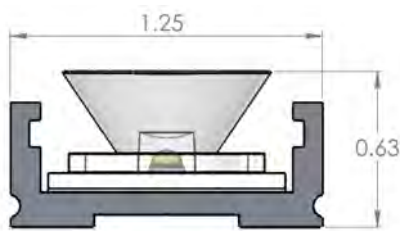
Manufactured in America and constructed of a sturdy powder coated aluminum housing, the LOfx utilizes industry leading optics to deliver superior lumen output in an attractive low-profile package. Available in both standard output and high output, the LOfx includes onboard 0 – 10 V_{DC} dimming and can be mounted in either a fixed or articulating position to deliver the optimum desired solution for nearly any linear application.

Appropriate for dry environments, with a damp option available, the LOfx satisfies the most demanding needs for specifiers around the globe. Adding optical elements to the outstanding feature set makes it apparent why LOfx has been chosen by specifiers for low profile and broad light distribution applications repeatedly.

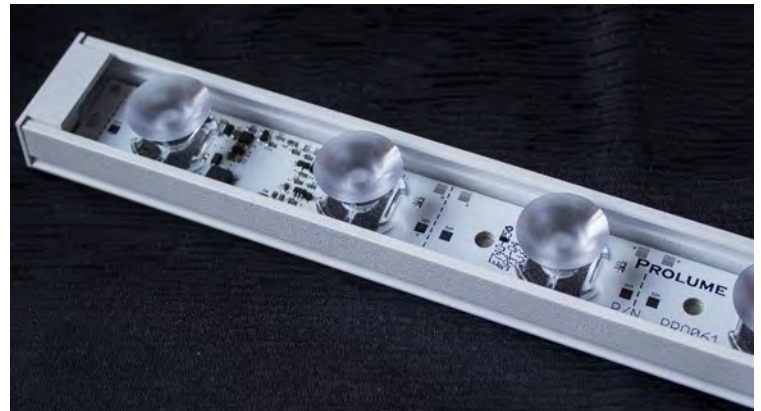
Features

- Made in America quality and craftsmanship
- Five CCTs and four colored LED standard options
- Customizable fixture lengths, CCT and CRI available
- Powder coated, low profile aluminum extrusion for seamless integration
- Fixed and articulating mounting options
- Fixtures can be daisy chained to form a longer run and energized from a single driver
- Onboard 0 - 10V_{DC} dimming circuitry

Mechanical Profile & Compliance



- All dimensions in INCHES



Specifications					
CCT	2700K	3000K	3500K	4000K	5000K
LED Pitch	2"				
Lumen Output					
SO	444	444	445	513	594
HO	564	565	568	655	772
CRI	80+ & 90+				
Beam Angle	15°, 40°, 50x10°				
Lens	None				
Dimmable	Yes				
On Board Dimming	Yes				
Construction	Aluminum & Plastic				
Housing	White Powder Coated Aluminum				
Fixture Length _{Min}	SO 5" HO 5"				
Fixture Length _{Max}	SO 102" HO 96"				
Ordering Increments	1"				
Daisy-Chain Capable	Yes				
Power Consumption _w	SO 7W HO 10W				
Efficacy _{lm/w}					
SO	63	63	64	73	85
HO	56	57	57	66	77
Power Supply	Class II				
Operating Voltage _{dc}	24V				
Fixture Connectors	Indoor PlugGo, Outdoor PlugGo				
Fixture Mounting	Fixed Mounting Clip, Articulating Mounting Clip				
Environmental Rating	Dry				
Certifications	UL				
Warranty _{Limited}	5 years				
Product Dimensions _{wxh}	1.25 x 0.63 in				
Operating Temp Range	-20 to 120 °F				
Storage Temp Range	-40 to 160 °F				
Weight	0.60 lb / ft				

Specifications subject to change without prior notification

Ordering Information

Example: LOF-37S-835-40-LE-IRE-AM

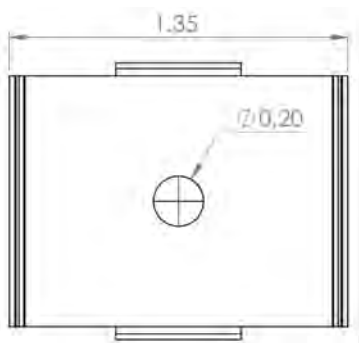
Product	Length ¹	Output	CRI ²	Color	Beam Angle	Ingress Cable Orientation	iPosition	Termination ³	Ingress Opposite Orientation ⁴	Egress Cable Position	Mount
LOF	##	SO HO	80+ 90+	27 30 35 40 50 RED GRN BLU AMB	15 40 50x10	Left Right	End Back Nearside Farside	IPG OPG	Right Left	X - None End Back Nearside Farside	FM - Fixed Mount AM - Articulating Mount



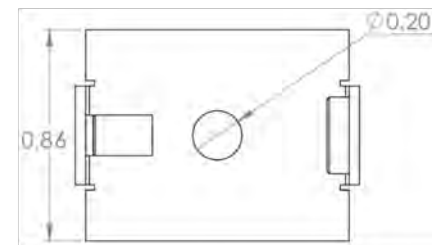
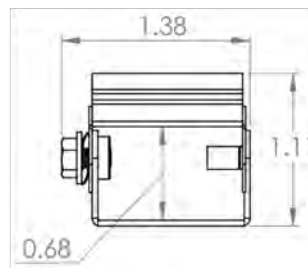
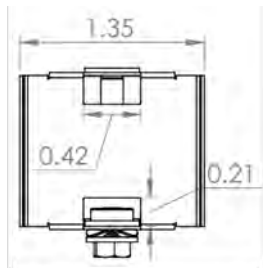
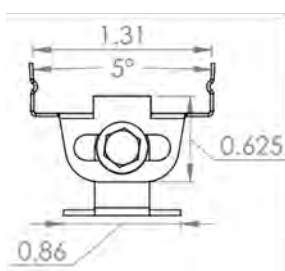
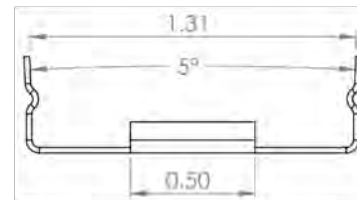
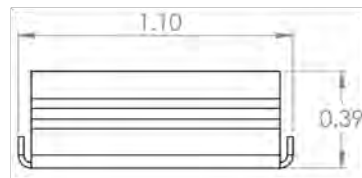
¹ Fixture length in inches, ² CRI does not apply to Colors; leave blank ³ Indoor PlugnGo, Outdoor PlugnGo or Flying leads ⁴ Will always be the opposite letter of the Ingress Cable

Mounting Clips

Mounting Clips



Fixed Mounting Clip

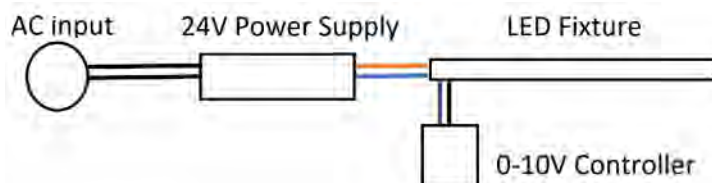


Articulating Mounting Clip

- All dimensions in INCHES

Dimming

The Luma Series of products are designed with a built-in dimming circuit that requires a 0 - 10 V_{DC} sinking dimming controller to properly function. Either a third party sinking dimmer controller can be used or select one of two available options in the LEDynamics LVD Series of dimmer solutions.



VO LUMA SERIES

Following in the footsteps of LO, the VO solution has been designed to deliver even greater lumen output through a one-inch pitch light engine making it an optimum solution for general lighting when significant illumination is required from a low-profile footprint.

Manufactured in America and constructed with a sturdy powder coated aluminum housing, the VO delivers excellent lumen output from a very low-profile package. Available in standard output solely, the VO includes onboard 0 – 10V_{DC} dimming with either fixed or articulating mounting options to deliver maximum versatility.

Offered with either a clear or frosted lens option and capable of serving dry environments, with a damp option available, the VO satisfies many needs for specifiers around the globe. A versatile solution for numerous applications, the VO remains a staple for architects, lighting designers and specifiers who are seeking to create a specific and unique desired effect.

Features

- Made in America quality and craftsmanship
- Five CCTs and four colored LED standard options
- Customizable fixture lengths, CCT and CRI available
- Powder coated, low profile aluminum extrusion for seamless integration
- Fixed and articulating mounting options
- Fixtures can be daisy chained to form a longer run and energized from a single driver
- Onboard 0 - 10V_{DC} dimming circuitry

Mechanical Profile & Compliance



- All dimensions in INCHES



LOW VOLTAGE LINEAR LUMINAIRE



Specifications					
CCT	2700K	3000K	3500K	4000K	5000K
LED Pitch	1.2"				
Lumen Output					
Clear	875	875	888	1034	1181
Frosted	700	700	710	827	945
CRI	80+ & 90+				
Beam Angle	115°				
Lens	Clear & Frosted				
Dimmable	Yes				
On Board Dimming	Yes				
Construction	Aluminum & Plastic				
Housing	White Powder Coated Aluminum				
Fixture Length _{Min}	5"				
Fixture Length _{Max}	87"				
Ordering Increments	1"				
Daisy-Chain Capable	Yes				
Power Consumption _w	11W				
Efficacy _{LM/w}					
Clear	80	80	81	94	107
Frosted	64	64	65	75	86
Power Supply	Class II				
Operating Voltage _{DC}	24V				
Fixture Connectors	Indoor PlugnGo, Outdoor PlugnGo				
Fixture Mounting	Fixed Mounting Clip, Articulating Mounting Clip				
Environmental Rating	Dry				
Certifications	UL				
Warranty _{Limited}	5 years				
Product Dimensions _{WxH}	1.25 x 0.50 in				
Operating Temp Range	-20 to 120 °F				
Storage Temp Range	-40 to 160 °F				
Weight	0.60 lb / ft				

Specifications subject to change without prior notification

Ordering Information

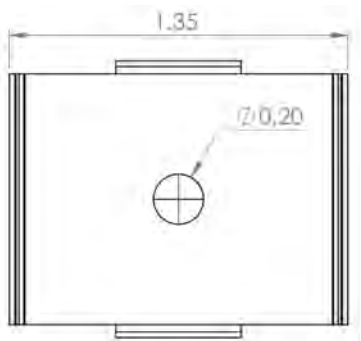
Example: VO-43S-830-115F-LE-IRE-FM

Product	Length ¹	Output	CRI ²	Color	Beam Angle	Ingress Lens	Cable Orientation	iPosition	Termination ³	Ingress Opposite Orientation ⁴	Egress Cable Position	Mount
VO	##	SO	80+	27	115	Clear	Left	End	IPG	Right	X - None	FM - Fixed Mount
			90+	30		Frosted	Right	Back	OPG	Left	End	AM - Articulating Mount
				35				Nearside			Back	
				40				Farside			Nearside	
				50							Farside	
				RED								
				GRN								
				BLU								
				AMB								

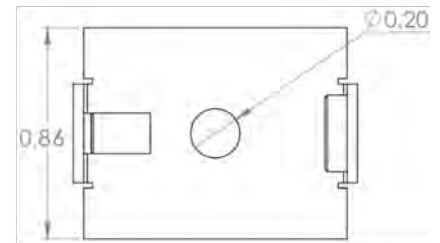
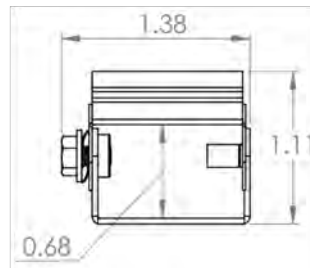
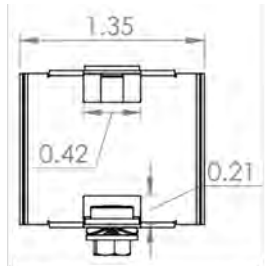
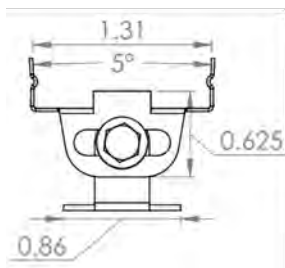
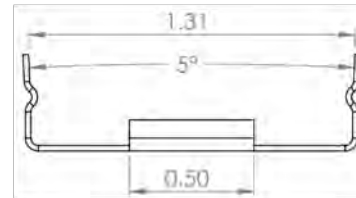
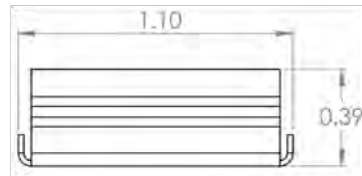


¹ Fixture length in inches, ² CRI does not apply to Colors; leave blank ³ Indoor PlugGo, Outdoor PlugGo or Flying Leads ⁴ Will always be the opposite letter of the Ingress Cable Orientation

Mounting Clips



Fixed Mounting Clip

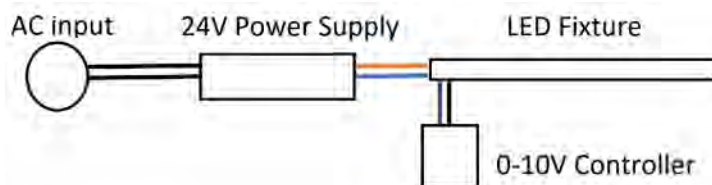


Articulating Mounting Clip

- All dimensions in INCHES

Dimming

The Luma Series of products are designed with a built-in dimming circuit that requires a 0 - 10 V_{DC} sinking dimming controller to properly function. Either a third party sinking dimmer controller can be used or select one of two available options in the LEDynamics LVD Series of dimmer solutions.



VOfx LUMA SERIES

Building upon the benefits of the LOfx, the VOfx adds several optical options to a one-inch pitch light engine to achieve clean beam sculpting and delivers superior coverage in grazing applications.

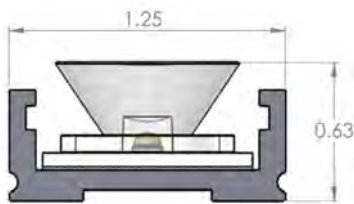
Manufactured in America and constructed of a sturdy powder coated aluminum housing, the VOfx utilizes industry leading optics to deliver superior lumen output in an attractive low-profile package. Available in standard output, the VOfx includes onboard 0 – 10 V_{DC} dimming and can be mounted in either a fixed or articulating position to deliver the desired solution for nearly any linear application.

With a standard dry rating, and a damp option available, the VOfx satisfies the most demanding needs for specifiers around the globe. Combining optical elements to the out-standing feature set, the VOfx is revered by specifiers for wall grazing and ceiling, rotunda & nave lighting applications.

Features

- Made in America quality and craftsmanship
- Five CCTs and four colored LED standard options
- Customizable fixture lengths, CCT and CRI available
- Powder coated, low profile aluminum extrusion for seamless integration
- Fixed and articulating mounting options
- Fixtures can be daisy chained to form a longer run and energized from a single driver
- Onboard 0 - 10V_{DC} dimming circuitry

Mechanical Profile & Compliance



- All dimensions in INCHES

LOW VOLTAGE LINEAR LUMINAIRE



Specifications	2700K	3000K	3500K	4000K	5000K
CCT	2700K	3000K	3500K	4000K	5000K
LED Pitch	1.2"				
Lumen Output	744	744	755	879	1004
CRI	80+ & 90+				
Beam Angle	15°, 40°, 50x10°				
Lens	None				
Dimmable	Yes				
On Board Dimming	Yes				
Construction	Aluminum & Plastic				
Housing	White Powder Coated Aluminum				
Fixture Length _{Min}	5"				
Fixture Length _{Max}	87"				
Ordering Increments	1"				
Daisy-Chain Capable	Yes				
Power Consumption _w	11W				
Efficacy _{LM/w}	68	68	69	80	91
Power Supply	Class II				
Operating Voltage _{DC}	24V				
Fixture Connectors	Indoor PlugnGo, Outdoor PlugnGo				
Fixture Mounting	Fixed Mounting Clip, Articulating Mounting Clip				
Environmental Rating	Dry				
Certifications	UL				
Warranty _{Limited}	5 years				
Product Dimension _{SWxH}	1.25 x 0.63 in				
Operating Temp Range	-20 to 120 °F				
Storage Temp Range	-40 to 160 °F				
Weight	0.60 lb / ft				

Specifications subject to change without prior notification

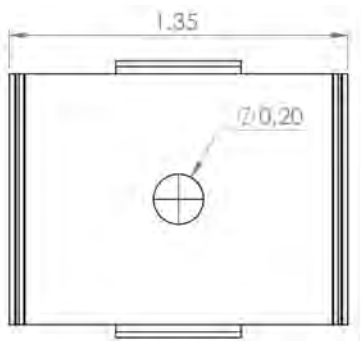
Ordering Information

Example: VOF-44S-827-15-LE-IRX-AM

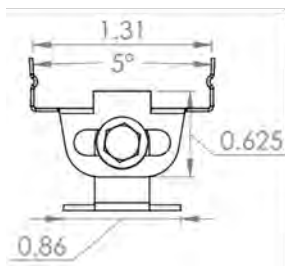
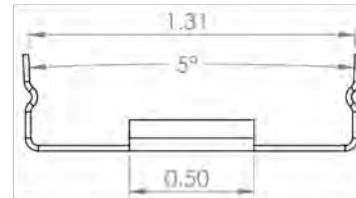
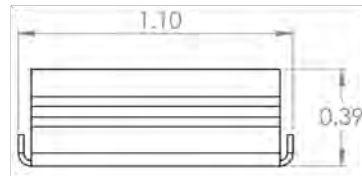
Product	Length ¹	Output	CRI ²	Color	Beam Angle	Ingress			Ingress Opposite		Egress	Mount
						Cable Orientation	iPosition	Termination ³	Orientation ⁴	Position		
VOF	#	SO	80+	27	15	Left	End	IPG	Right	X - None	FM - Fixed Mount	
			90+	30	40	Right	Back	OPG	Left	End	AM - Articulating Mount	
				35	50x10		Nearside			Back		
				40			Farside			Nearside		
				50						Farside		
			RED									
			GRN									
			BLU									
			AMB									

¹ Fixture length in inches, ² CRI does not apply to Colors; leave blank ³ Indoor PlugnGo, Outdoor PlugnGo or Flying leads ⁴ Will always be the opposite letter of the Ingress Cable

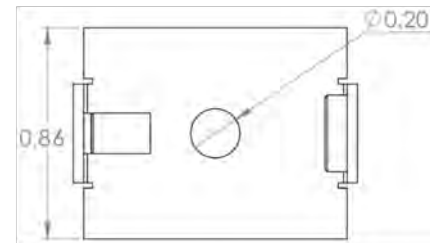
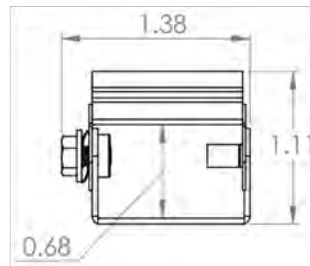
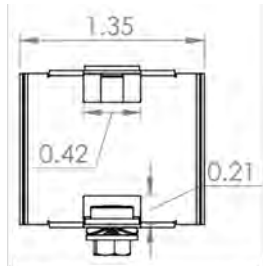
Mounting Clips



Fixed Mounting Clip



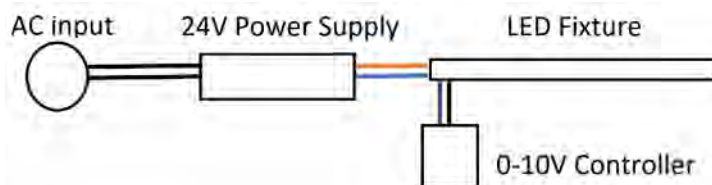
Articulating Mounting Clip



- All dimensions in INCHES

Dimming

The Luma Series of products are designed with a built-in dimming circuit that requires a 0 - 10 V_{DC} sinking dimming controller to properly function. Either a third party sinking dimmer controller can be used or select one of two available options in the LEDynamics LVD Series of dimmer solutions.



UC LUMA SERIES

Discreet yet illuminating... when the application needs to deliver lumens, yet the source must be concealed, specifiers turn to the UC to fulfill the requirement.

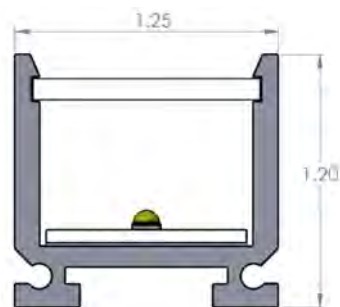
American designed and manufactured, the UC light engine delivers superior lumen output while remaining discreetly hidden within the deep channel, powder coated aluminum housing that easily blends in to any venue. The UC offers a standard and high output option and can be combined with either a clear or frosted lens to deliver the precise and desired lighting effect. With the ability to be daisy chained, along with customizable fixture lengths, CRI or lumens per foot, the UC can be tailored to meet the exacting needs of nearly any specifier.

Available with either a fix or articulating mount and nine standard CCT/Color options, the UC is the ideal solution for cove and accent lighting when a concealed source of light and excellent light throw is required for the project.

Features

- Made in America quality and craftsmanship
- Five CCTs and four colored LED standard options
- Customizable fixture lengths, CCT and CRI available
- Powder coated, low profile aluminum extrusion for seamless integration
- Fixed and articulating mounting options
- Fixtures can be daisy chained to form a longer run and energized from a single driver
- Multiple lens options
- Excellent light casting property

Mechanical Profile & Compliance



- All dimensions in INCHES



LOW VOLTAGE LINEAR LUMINAIRE




Specifications					
CCT	2700K	3000K	3500K	4000K	5000K
LED Pitch	2"				
Lumen Output					
Clear & SO	485	485	487	561	650
Clear & HO	618	618	621	717	844
Frosted & SO	423	423	424	449	520
Frosted & HO	538	538	541	574	676
CRI	80+ & 90+				
Beam Angle	90°				
Lens	Clear & Frosted				
Dimmable	Yes				
On Board Dimming	Yes				
Construction	Aluminum & Plastic				
Housing	White Powder Coated Aluminum				
Fixture Length _{Min}	SO 5" HO 5"				
Fixture Length _{Max}	SO 102" HO 102"				
Ordering Increments	1"				
Daisy-Chain Capable	Yes				
Power Consumption _w	SO 7W HO 10W				
Efficacy _{lm/w}					
Clear & SO	69	69	70	80	93
Clear & HO	62	62	62	72	84
Frosted & SO	60	60	61	64	74
Frosted & HO	54	54	54	57	68
Power Supply	Class II				
Operating Voltage _{dc}	24V				
Fixture Connectors	Indoor PlugnGo, Outdoor PlugnGo				
Fixture Mounting	Fixed Mounting Clip, Articulating Mounting Clip				
Environmental Rating	Dry				
Certifications	UL				
Warranty _{Limited}	5 years				
Product Dimensions _{swxh}	1.25 x 1.20 in				
Operating Temp Range	-20 to 120 °F				
Storage Temp Range	-40 to 160 °F				
Weight	0.68 lb / ft				

Specifications subject to change without prior notification

Ordering Information

Example: UC-15S-830-90C-LE-IRE-AM

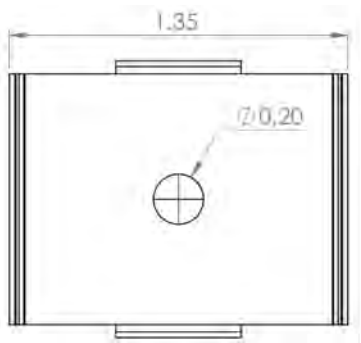
Product	Length	Output	CRI	Color	Beam Angle	Lens	Ingress Cable Orientation	iPosition	Termination ³	Egress Cable Orientation ⁴	ePosition	Mount
UC	##	SO HO	80+ 90+	27 30 35 40 50 RED GRN BLU AMB	90	Clear Frosted	Left Right	End Back Nearside Farside	IPG OPG	Right Left	X - None End Back Nearside Farside	FM - Fixed Mount AM - Articulating Mount



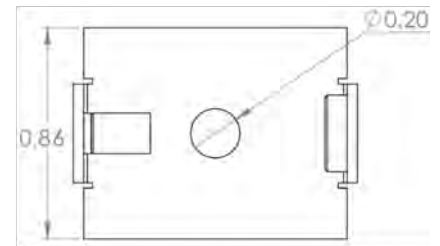
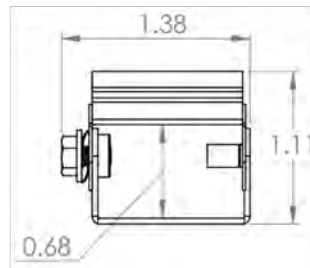
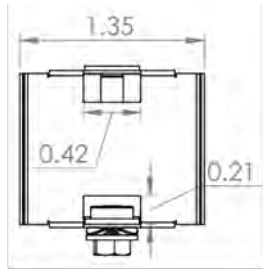
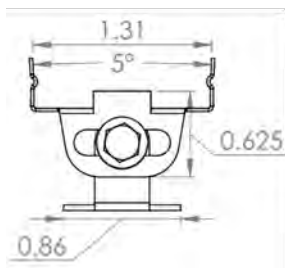
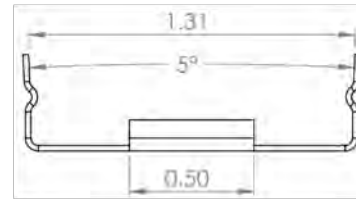
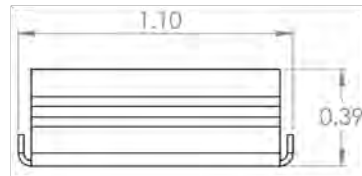
¹ Fixture length in inches, ² CRI does not apply to Colors; leave blank ³ Indoor PlugnGo, Outdoor PlugnGo or Flying leads ⁴ Will always be the opposite letter of the Ingress Cable Orientation (R or l)

Mounting Clips

Mounting Clips



Fixed Mounting Clip

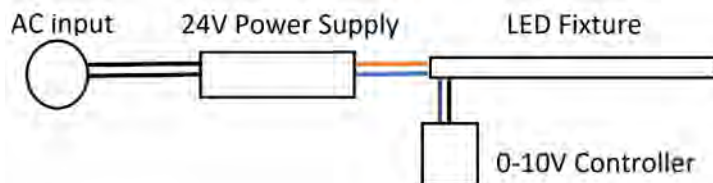


Articulating Mounting Clip

- All dimensions in INCHES

Dimming

The Luma Series of products are designed with a built-in dimming circuit that requires a 0 - 10 V_{DC} sinking dimming controller to properly function. Either a third party sinking dimmer controller can be used or select one of two available options in the LEDynamics LVD Series of dimmer solutions.





UCfx LUMA SERIES

Discreet yet illuminating... when the application needs to deliver a shaped beam angle and the source must be concealed, specifiers turn to the UCfx to fulfill the most demanding requirements.

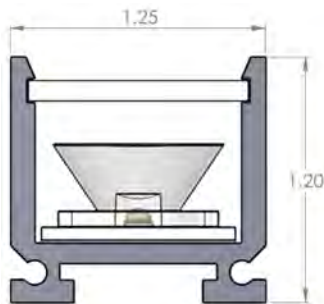
American designed and manufactured, the UCfx light engine delivers superior lumen output while remaining discreetly hidden within the deep channel, powder coated aluminum housing. The UCfx offers a standard and high output option and can be combined with a clear or frosted lens to deliver the precise desired lighting effect. With daisy chain capability and customizable fixture length, CRI or lumens per foot, the UCfx can be ordered to meet the exacting needs of nearly any specifier.

Available with either a fixed or articulating mount and nine standard CCTs/Color options, the UCfx is a perfect solution for back lighting when a concealed source of light and excellent light throw is required.

Features

- Made in America quality and craftsmanship
- Five CCTs and four colored LED standard options
- Customizable fixture lengths, CCT and CRI available
- Powder coated, low profile aluminum extrusion for seamless integration
- Fixed and articulating mounting options
- Fixtures can be daisy chained to form a longer run and energized from a single driver
- Multiple beam sculpting lens options

Mechanical Profile & Compliance



- All dimensions in INCHES



LOW VOLTAGE LINEAR LUMINAIRE



Specifications					
CCT	2700K	3000K	3500K	4000K	5000K
LED Pitch	2"				
Lumen Output					
SO & Clear	413	413	414	477	553
SO & Frosted	355	355	356	410	475
HO & Clear	525	525	528	609	718
HO & Frosted	452	452	454	524	617
CRI	80+ & 90+				
Beam Angle	15°, 40°, 50x10°				
Lens	Clear				
Dimmable	Yes				
On Board Dimming	Yes				
Radius _{ft}	Consult Factory				
Construction	Aluminum & Plastic				
Housing	White Powder Coated Aluminum				
Fixture Length _{Min}	SO 6" HO 6"				
Fixture Length _{Max}	SO 102" HO 102"				
Ordering Increments	1"				
Daisy-Chain Capable	Yes				
Power Consumption _{W/Ft}	SO 7W HO 10W				
Efficacy _{LM/W}					
SO & Clear	59	59	59	68	79
SO & Frosted	51	51	51	59	68
HO & Clear	52	52	53	61	72
HO & Frosted	45	45	45	52	62
Power Supply	Class II				
Operating Voltage _{DC}	24V				
Fixture Connectors	Indoor PlugnGo, Outdoor PlugnGo, Flying Leads				
Fixture Mounting	Fixed Mounting Clip, Articulating Mounting Clip				
Environmental Rating	Dry				
Certifications	UL				
Warranty _{Limited}	5 years				
Product Dimensions _{WxH}	1.25 x 1.20 in				
Operating Temp Range	-40 to 140 °F				
Storage Temp Range	-40 to 180 °F				
Weight	0.68 lb / ft				

Specifications subject to change without prior notification

Ordering Information

Example: UCF-19S-827-5x1F-LE-IRX-AM

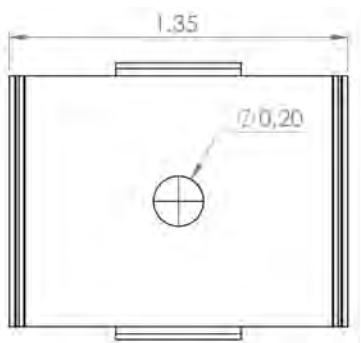
Product	Length ¹	Output	CRI ²	Color	Beam Angle	Lens	Ingress Cable Orientation	iPosition	Termination ³	Ingress Opposite Orientation ⁴	Egress Cable Position	Mount
UCF	##	SO HO	80+ 90+	27 30 35 40 50 RED GRN BLU AMB YLW	15 40 50x10	Clear Frosted	Left Right	End Back Nearside Farside	IPG OPG Fly	Right Left	X - None End Back Nearside Farside	FM - Fixed Mount AM - Articulating Mount



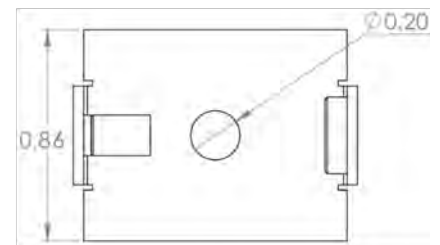
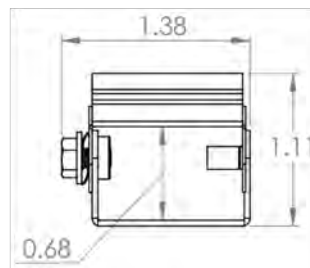
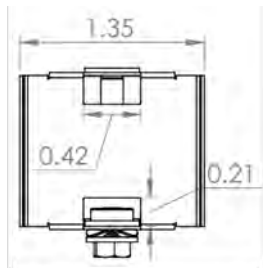
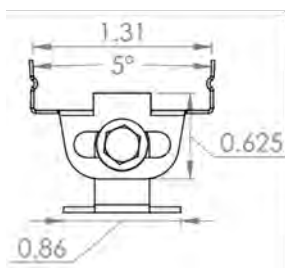
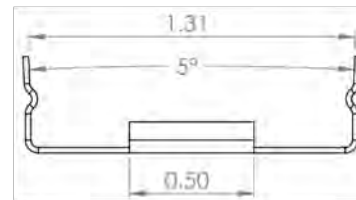
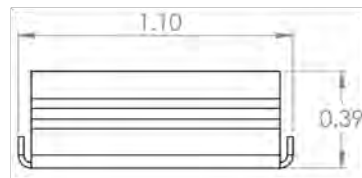
¹ Fixture length in inches, ² CRI does not apply to Colors; leave blank ³ Indoor PlugnGo, Outdoor PlugnGo or Flying leads ⁴ Will always be the opposite letter of the Ingress Cable Orientation (R or L)

Mounting Clips

Mounting Clips



Fixed Mounting Clip

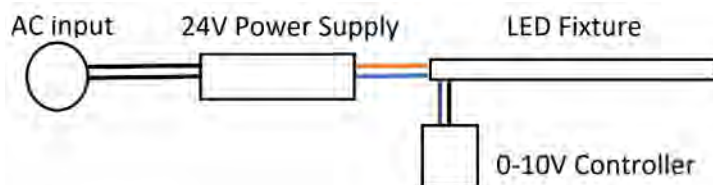


Articulating Mounting Clip

- All dimensions in INCHES

Dimming

The Luma Series of products are designed with a built-in dimming circuit that requires a 0 - 10 V_{DC} sinking dimming controller to properly function. Either a third party sinking dimmer controller can be used or select one of two available options in the LEDynamics LVD Series of dimmer solutions.





HiC LUMA SERIES

LOW VOLTAGE LINEAR LUMINAIRE

Discreet yet illuminating. Sometimes a fixture must deliver even greater lumens, yet the source must be inconspicuously concealed. For such requirements, specifiers rely on HiC as their light choice.

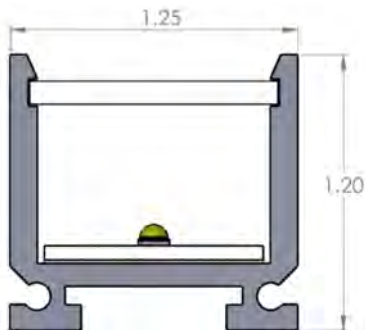
American designed and manufactured, the HiC light engine will deliver a far superior lumen output while maintaining a discreet concealed position within the deep channel, powder coated aluminum housing. The HiC is offered in either a standard and high output configuration and can be combined with a clear or frosted lens to achieve the precise desired lighting effect. Capable of being daisy chained, when combined with customizable fixture length, CRI or lumens per foot, the HiC is a versatile lighting solution in the arsenal of many specifiers and architects.

Available with either a fixed or articulating mount and nine standard CCT/Color options, the HiC is a perfect solution for general illumination when a concealed source of light and excellent light throw is required.

Features

- Made in America quality and craftsmanship
- Five CCTs and four colored LED standard options
- Customizable fixture lengths, CCT and CRI available
- Powder coated, low profile aluminum extrusion for seamless integration
- Fixed and articulating mounting options
- Fixtures can be daisy chained to form a longer run and energized from a single driver
- Onboard 0 - 10V_{DC} dimming circuitry

Mechanical Profile & Compliance



- All dimensions in INCHES



Specifications					
CCT	2700K	3000K	3500K	4000K	5000K
LED Pitch	1.2"				
Lumen Output					
Clear & SO	814	814	826	962	1098
Frosted & SO	700	700	710	827	945
Clear & HO	1023	1023	1023	1151	1342
Frosted & HO	880	880	880	990	1154
CRI	80+ & 90+				
Beam Angle	90°				
Lens	Clear & Frosted				
Dimmable	Yes				
On Board Dimming	Yes				
Radius _{ft}	Consult Factory				
Construction	Aluminum & Plastic				
Housing	White Powder Coated Aluminum				
Fixture Length _{Min}	SO 6" HO 6"				
Fixture Length _{Max}	SO 87" HO 60"				
Ordering Increments	1"				
Daisy-Chain Capable	Yes				
Power Consumption _w	SO 11W HO 17W				
Efficacy _{LM/W}					
Clear & SO	74	74	75	87	100
Clear & HO	60	60	60	68	79
Frosted & SO	64	64	65	75	86
Frosted & HO	52	52	52	58	68
Power Supply	Class II				
Operating Voltage _{dc}	24V				
Fixture Connectors	Indoor PlugnGo, Outdoor PlugnGo, Flying Leads				
Fixture Mounting	Fixed Mounting Clip, Articulating Mounting Clip				
Built In Functionality:	None				
Environmental Rating	Dry				
Certifications	UL				
Warranty _{Limited}	5 years				
Product Dimensions _{SWxH}	1.25 x 1.20 in				
Operating Temp Range	-40 to 140 °F				
Storage Temp Range	-40 to 180 °F				
Weight	0.68 lb / ft				

Specifications subject to change without prior notification

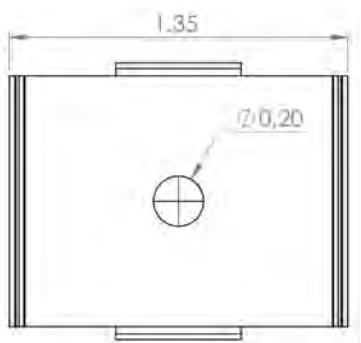
Ordering Information

Example: HIC-21H-835-90F-LE-IRE-FM

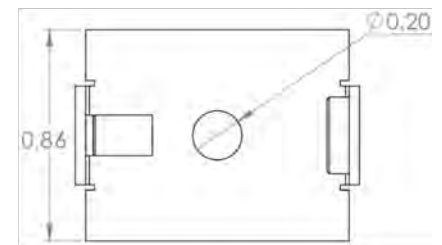
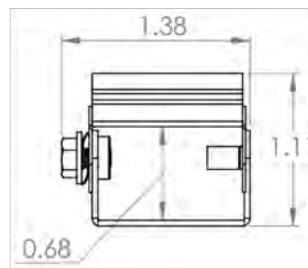
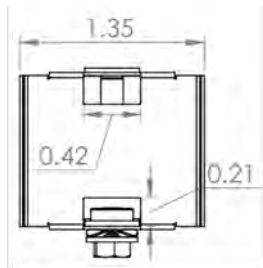
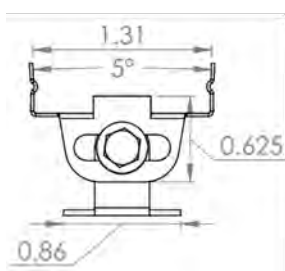
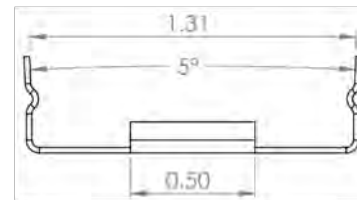
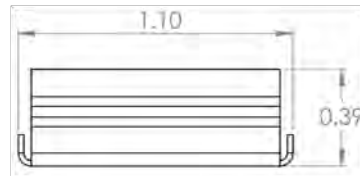
Product	Length ¹	Output	CRI ²	Color	Beam Angle	Lens	Ingress Cable Orientation	iPosition	Termination ³	Ingress Opposite Orientation ⁴	Egress Cable Position	Mount
HIC	##	SO HO	80+ 90+	27 30 35 40 50 RED GRN BLU AMB YLW	90	Clear Frosted	Left Right	End Back Nearside Farside	IPG OPG Fly	Right Left	X- None End Back Nearside Farside	FM - Fixed Mount AM - Articulating Mount

¹ Fixture length in inches, ² CRI does not apply to Colors; leave blank ³ Indoor PlugnGo, Outdoor PlugnGo or Flying leads ⁴ Will always be the opposite letter of the Ingress Cable Orientation (R or L)

Mounting Clips



Fixed Mounting Clip

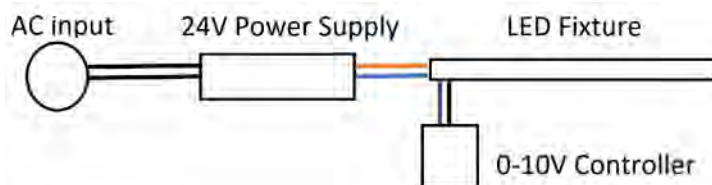


Articulating Mounting Clip

- All dimensions in INCHES

Dimming

The Luma Series of products are designed with a built-in dimming circuit that requires a 0 - 10 V_{DC} sinking dimming controller to properly function. Either a third party sinking dimmer controller can be used or select one of two available options in the LEDynamics LVD Series of dimmer solutions.



HiCfx LUMA SERIES

Grazing ceilings, rotundas and naves at museums and government monuments across the country, the benefits of HiCfx have been recognized and specified to create stunning visual impressions by countless specifiers.

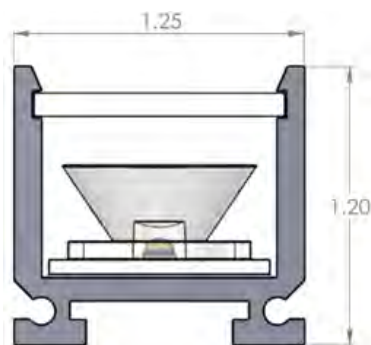
Manufactured in America and constructed of a rugged powder coated aluminum housing, the HiCfx utilizes industry leading optics to deliver superior lumen output in an attractive concealing envelope. Available with either standard and high output, the HiCfx includes onboard 0 – 10 V_{DC} dimming and can be mounted in either a fixed or articulating position to deliver the desired lighting solution for nearly any linear application.

Serving dry environments, with a damp environment option available, the HiCfx has excellent light throwing characteristics capable of satisfying the demanding needs of most specifiers and architects.

Features

- Made in America quality and craftsmanship
- Five CCTs and four colored LED standard options
- Customizable fixture lengths, CCT and CRI available
- Powder coated, low profile aluminum extrusion for seamless integration
- Fixed and articulating mounting options
- Fixtures can be daisy chained to form a longer run and energized from a single driver
- Onboard 0 - 10V_{DC} dimming circuitry

Mechanical Profile & Compliance



- All dimensions in INCHES



LOW VOLTAGE LINEAR LUMINAIRE



Specifications					
CCT	2700K	3000K	3500K	4000K	5000K
LED Pitch	1.2"				
Lumen Output					
Clear & SO	692	695	702	817	934
Frosted & SO	595	598	604	703	803
Clear & HO	870	891	913	979	1141
Frosted & HO	748	766	785	842	981
CRI	80+ & 90+				
Beam Angle	15°, 40°, 50x10°				
Lens	Clear & Frosted				
Dimmable	Yes				
On Board Dimming	Yes				
Construction	Aluminum & Plastic				
Housing	White Powder Coated Aluminum				
Fixture Length _{Min}	SO 6" HO 6"				
Fixture Length _{Max}	SO 78" HO 60"				
Ordering Increments	1"				
Daisy-Chain Capable	Yes				
Power Consumption _w	SO 11W HO 17W				
Efficacy _{lm/w}					
Clear & SO	63	63	64	74	85
Frosted & SO	54	54	55	64	73
Clear & HO	51	52	54	58	67
Frosted & HO	44	45	46	50	58
Power Supply	Class II				
Operating Voltage _{DC}	24V				
Fixture Connectors	Indoor PlugnGo, Outdoor PlugnGo, Flying Leads				
Fixture Mounting	Fixed Mounting Clip, Articulating Mounting Clip				
Environmental Rating	Dry				
Certifications	UL				
Warranty _{Limited}	5 years				
Product Dimensions _{wxh}	1.25 x 1.20 in				
Operating Temp Range	-40 to 140 °F				
Storage Temp Range	-40 to 180 °F				
Weight	0.68 lb / ft				

Specifications subject to change without prior notification

Ordering Information

Example: HCF-48S-850-15C-LE-IRX-FM

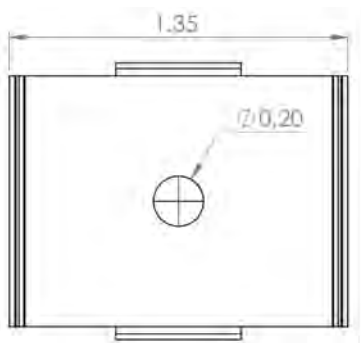
Product	Length ¹	Output	CRI ²	Color	Beam Angle	Lens	Ingress Cable Orientation	iPosition	Termination ³	Ingress Opposite Orientation ⁴	Egress Cable Position	Mount
HCF	##	SO HO	80+ 90+	27 30 35 40 50 RED GRN BLU AMB YLW	15 40 50x10	Clear Frosted	Left Right	End Back Nearside Farside	IPG OPG Fly	Right Left	X - None End Back Nearside Farside	FM - Fixed Mount AM - Articulating Mount



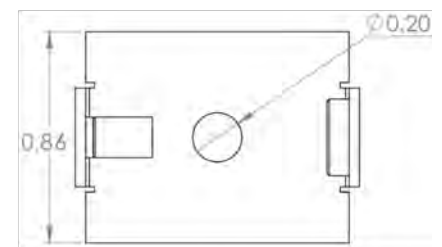
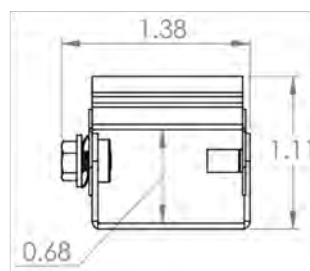
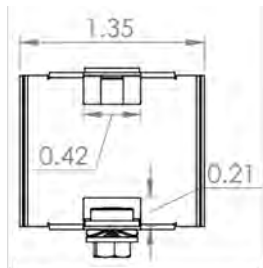
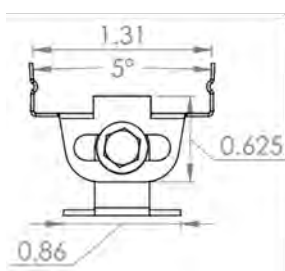
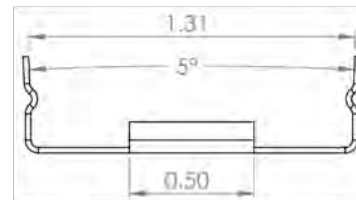
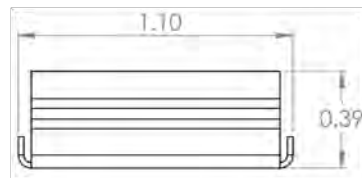
¹ Fixture length in inches, ² CRI does not apply to Colors; leave blank ³ Indoor PlugGo, Outdoor PlugGo or Flying leads ⁴ Will always be the opposite letter of the Ingress Cable Orientation (R or L)

Mounting Clips

Mounting Clips



Fixed Mounting Clip

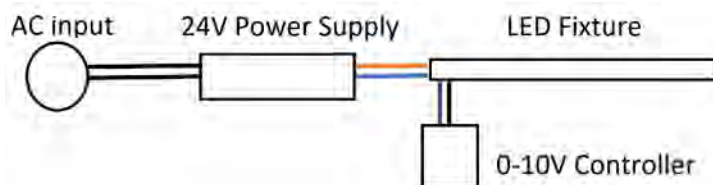


Articulating Mounting Clip

- All dimensions in INCHES

Dimming

The Luma Series of products are designed with a built-in dimming circuit that requires a 0 - 10 V_{DC} sinking dimming controller to properly function. Either a third party sinking dimmer controller can be used or select one of two available options in the LEDynamics LVD Series of dimmer solutions.



ZE LUMA SERIES

Constructed using an industrial grade aluminum extrusion built to withstand the test of time, the ZE is an ideal solution with a two-inch pitch light engine that provides general illumination and pathway lighting for applications that require a robust and reliable fixture.

Offered with either a standard or high output light engine configuration, the ZE delivers up to 740 lumens. Housed in a heavy duty extruded aluminum envelope and protected by a UV resistant polycarbonate lens, the ZE will perform in the most extreme weather conditions.

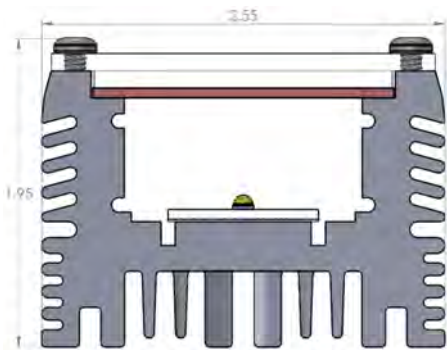
When combined with onboard 0 – 10 V_{DC} dimming and the ability to be mounted in either an articulating or fixed position, the ZE becomes a reliable and versatile solution for architects, specifiers and lighting designers to use with confidence.

Available in twelve inch increments up to four feet in length and configurable in either series or parallel to a single driver, the ZE will meet the needs of many general illumination applications with demanding environmental needs.

Features

- Made in America quality and craftsmanship
- UV stabilized polycarbonate lens
- Five standard CCTs plus options for colored customization
- Daisy chain configurable wiring to a single driver
- Thermal monitoring and current control combine to maintain light levels while guarding against overheating

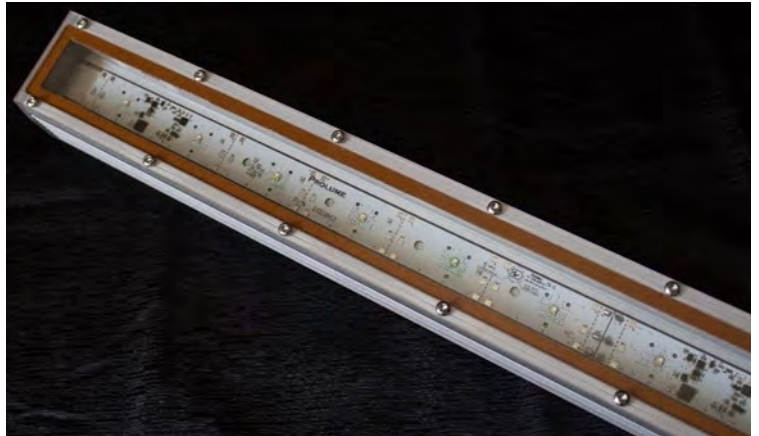
Mechanical Profile & Compliance



- All dimensions in INCHES



LOW VOLTAGE LINEAR LUMINAIRE



Specifications					
CCT	2700K	3000K	3500K	4000K	5000K
LED Pitch	2"				
Lumen Output					
SO	379	429	437	445	530
HO	528	600	612	624	744
CRI	80+ & 90+				
Beam Angle	115°				
Lens	Clear				
Dimmable	Yes				
On Board Dimming	Yes				
Construction	Aluminum & Plastic				
Housing	Clear Anodized Aluminum				
Fixture Length _{Min}	12"				
Fixture Length _{Max}	48"				
Ordering Increments	12"				
Daisy-Chain Capable	Yes				
Power Consumption _{w/F}	SO 7W HO 10W				
Efficacy _{LM/w}					
SO	54	61	62	64	76
HO	53	60	61	62	74
Power Supply	Class II				
Operating Voltage _{Dc}	24V				
Fixture Connectors	Outdoor PlugnGo				
Fixture Mounting	Low Profile Bracket, Extended Profile Bracket				
Environmental Rating	Wet				
Certifications	UL				
Warranty _{Limited}	5 years				
Product	2.50 x 1.94 in				
Dimensions _{wxh}					
Operating Temp Range	-20 to 120 °F				
Storage Temp Range	-40 to 160 °F				
Weight	3.2 lb / ft				

Specifications subject to change without prior notification

Ordering Information

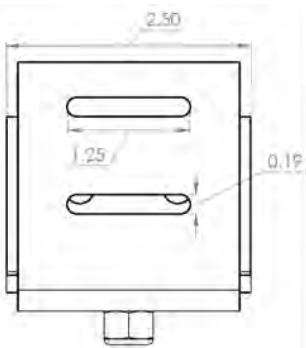
Example: ZE-18H-835-115C-LE-ORX-LP

Product	Length ¹	Output	CRI	Color	Beam Angle	Lens	Ingress Cable Orientation	iPosition	Termination ³	Egress Cable Orientation ⁴	ePosition	Mount
ZE	##	<u>S</u> 0 <u>H</u> 0	<u>8</u> 0+ <u>9</u> 0+	27 30 35 40 50 RED GRN BLU AMB	115	<u>C</u> lear	<u>L</u> eft <u>R</u> ight	<u>E</u> nd <u>B</u> ack <u>N</u> earside <u>F</u> arside	<u>O</u> PG	<u>R</u> ight <u>L</u> eft	<u>X</u> - None <u>E</u> nd <u>B</u> ack <u>N</u> earside <u>F</u> arside	LP - Low Profile EP - Extended Profile FC - Fixed Clip

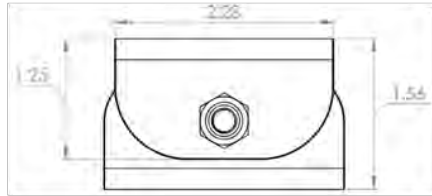


¹ Fixture length in inches, ² CRI does not apply to Colors; leave blank ³ Outdoor PlugGo ⁴ Will always be the opposite letter of the Ingress Cable Orientation (R or L)

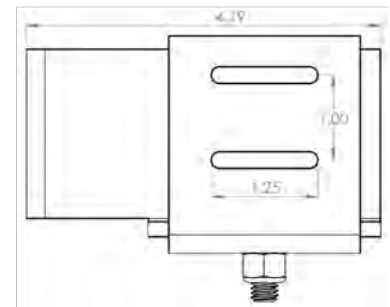
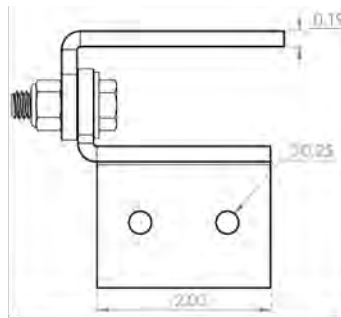
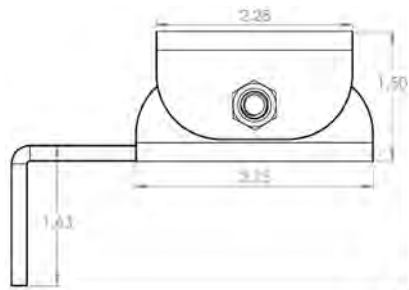
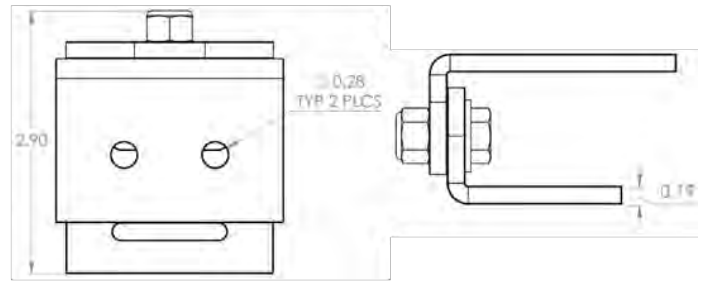
Mounting Clips



Low Profile Bracket



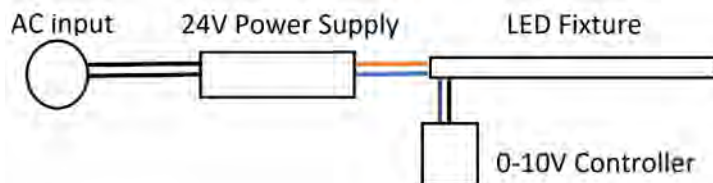
Extended Profile Bracket



- All dimensions in INCHES

Dimming

The Luma Series of products are designed with a built-in dimming circuit that requires a 0 - 10 V_{DC} sinking dimming controller to properly function. Either a third party sinking dimmer controller can be used or one of two available options in the LEDynamics LVD Series of products.



Zefx LUMA SERIES

Constructed using an industrial grade aluminum extrusion built to withstand the test of time, the ZE is an ideal solution with a two-inch pitch light engine that provides general illumination and pathway lighting for extreme environmental applications.

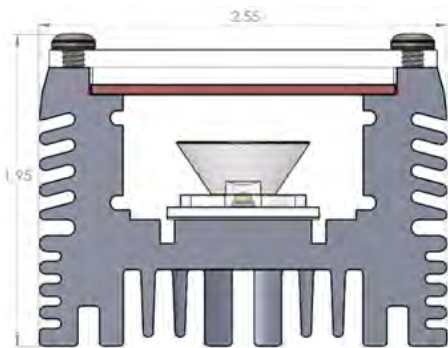
Configured with either a standard or high output light engine, the Zefx will deliver up to 469 lumens. Protected by a rugged aluminum envelope with a UV resistant polycarbonate lens, the Zefx will perform in the most extreme weather conditions. When combined with onboard 0 – 10 V_{DC} dimming, thermal monitoring and current control to deliver ideal light levels while protecting against overheating along with the ability to be mounted in either a fixed or articulating position, the Zefx becomes a reliable and versatile solution for architects, specifiers and lighting designers to use with confidence for their most environmental extremes.

Available in twelve inch increments up to four feet in length and configurable in either a series or parallel to a single driver, the Zefx is a perfect solution for creating a dramatic wall grazing effects.

Features

- Made in America quality and craftsmanship
- UV stabilized polycarbonate lens
- Five standard CCTs plus options for colored customization
- Daisy chain configurable wiring to a single driver
- Thermal monitoring and current control combine to maintain light levels while guarding against overheating

Mechanical Profile & Compliance



- All dimensions in INCHES



LOW VOLTAGE LINEAR LUMINAIRE



Specifications					
CCT	2700K	3000K	3500K	4000K	5000K
LED Pitch	2"				
Lumen Output					
SO & 15°	224	253	258	263	313
SO & 40°	239	270	275	280	334
SO & 50x10°	235	266	271	276	329
HO & 15°	312	354	361	368	439
HO & 40°	333	378	386	393	469
HO & 50x10°	327	372	379	387	461
CRI	80+ & 90+				
Beam Angle	15°, 40°, 50x10°				
Lens	Clear				
Dimmable	Yes				
On Board Dimming	Yes				
Construction	Aluminum & Polycarbonate Plastic				
Housing	Clear Anodized Aluminum				
Fixture Length _{Min}	12"				
Fixture Length _{Max}	48"				
Daisy-Chain Capable	Yes				
Ordering Increments	12"				
Power Consumption _w	SO 7W HO 10W				
Efficacy _{LM/w}					
SO & 15°	32	36	37	38	45
SO & 40°	34	39	39	40	48
SO & 50x10°	34	38	39	39	47
HO & 15°	31	35	36	37	44
HO & 40°	48	54	39	56	67
HO & 50x10°	33	37	38	39	46
Power Supply	Class II				
Operating Voltage _{DC}	24V				
Fixture Connectors	Outdoor PlugnGo, Flying Leads				
Fixture Mounting	Low Profile Bracket, Extended Profile Bracket				
Environmental Rating	Wet				
Certifications	UL				
Warranty _{Limited Product}	5 years				
Operating Temp Range	2.50 x 1.94 in -40 to 140 °F				
Storage Temp Range	-40 to 180 °F				
Weight	3.2 lb / ft				

Specifications subject to change without prior notification

Ordering Information

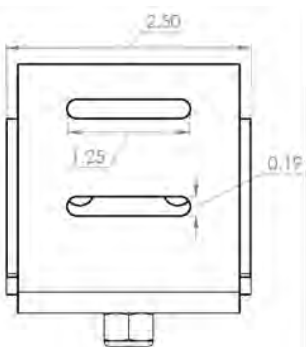
Example: ZEF-36S-840-40C-LE-ORX-EP

Product	Length ¹	Output	CRI ²	Color	Beam Angle	Lens	Ingress Cable Orientation	iPosition	Termination ³	Ingress Opposite ⁴	Egress Cable Position	Mount
ZEF	##	SO HO	80+ 90+	27 30 35 40 50 RED GRN BLU YLW	15 40 50x10	Clear	Left Right	End Back Nearside Farside	OPG Fly	Right Left	X - None End Back Nearside Farside	LP - Low Profile Bracket EP - Extended Profile Bracket

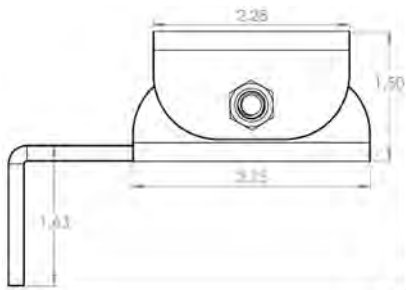
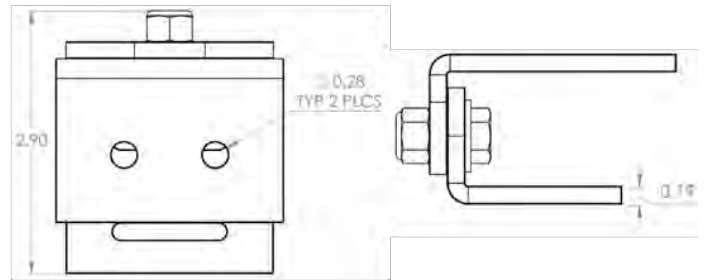
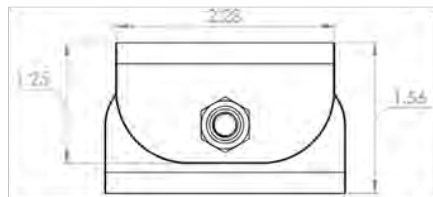


¹ Fixture length in inches, ² CRI does not apply to Colors; leave blank ³ Outdoor PlugGo or Flying leads ⁴ Will always be the opposite letter of the Ingress Cable Orientation (R or L)

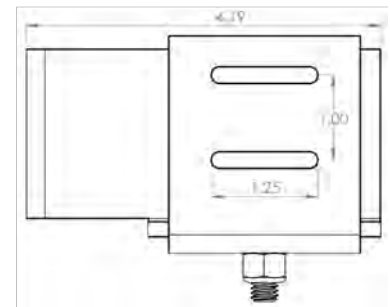
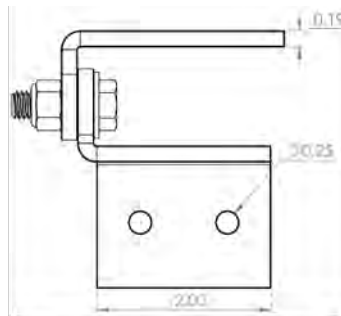
Mounting Clips



Low Profile Bracket



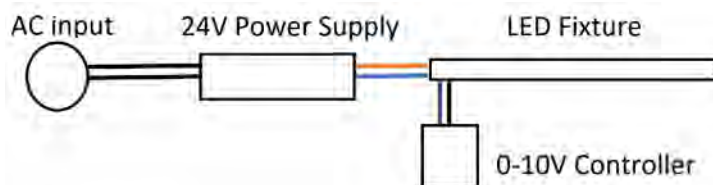
Extended Profile Bracket



- All dimensions in INCHES

Dimming

The Luma Series of products are designed with a built-in dimming circuit that requires a 0 - 10 V_{DC} sinking dimming controller to properly function. Either a third party sinking dimmer controller can be used or one of two available options in the LEDynamics LVD Series of products.



ZV LUMA SERIES

Constructed using an industrial grade aluminum extrusion built to withstand the test of time, the ZE is an ideal solution with a one-point-two-inch pitch light engine that provides general illumination and pathway lighting from a robust and reliable fixture.

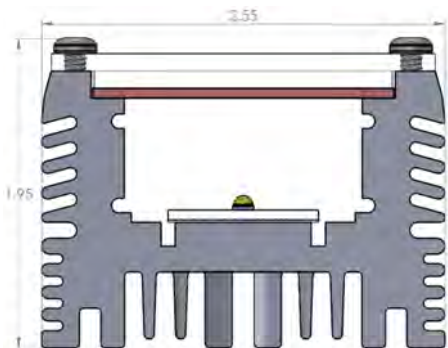
Available in either a standard or high output one-point-two inch pitch light engine configuration, the **ZV** delivers up to 924 lumens. Housed in a ruggedized extruded aluminum envelope and protected by a UV resistant polycarbonate lens, the **ZV** will perform in the most extreme weather conditions. When combining onboard 0 – 10 V_{DC} dimming, thermal monitoring and current control to deliver ideal light levels while protecting against overheating and the ability to be mounted in either a fixed or articulating position, the **ZV** becomes a reliable and versatile solution for architects, specifiers and lighting designers to use with confidence.

Offered in twelve inch increments up to four feet in length and daisy chain capable, the **ZV** is an ideal solution for general illumination and pathway lighting requirements.

Features

- Made in America quality and craftsmanship
- UV stabilized polycarbonate lens
- Five standard CCTs plus options for colored customization
- Daisy chain configurable wiring to a single driver
- Thermal monitoring and current control combine to maintain light levels while guarding against overheating

Mechanical Profile & Compliance



- All dimensions in INCHES



LOW VOLTAGE LINEAR LUMINAIRE



Specifications					
CCT	2700K	3000K	3500K	4000K	5000K
LED Pitch	1.2"				
Lumen Output					
SO	560	560	568	662	756
HO	700	703	704	792	924
CRI	80+ & 90+				
Beam Angle	115°				
Lens	Clear				
Dimmable	Yes				
On Board Dimming	Yes				
Construction	Aluminum & Plastic				
Housing	Clear Anodized Aluminum				
Fixture Length _{Min}	12"				
Fixture Length _{Max}	48"				
Ordering Increments	12"				
Daisy-Chain Capable	Yes				
Power Consumption _w	SO 12W HO 17W				
Efficacy _{LM/w}					
SO	47	47	47	55	63
HO	41	41	41	47	54
Power Supply	Class II				
Operating Voltage _{dc}	24V				
Fixture Connectors	Outdoor PlugnGo, Flying Leads				
Fixture Mounting	Low Profile Bracket, Extended Profile Bracket				
Environmental Rating	Wet				
Certifications	UL				
Warranty _{Limited}	5 years				
Product Dimensions _{wxh}	2.50 x 1.94 in				
Operating Temp Range	-40 to 140 °F				
Storage Temp Range	-40 to 180 °F				
Weight	3.2 lb / ft				

Specifications subject to change without prior notification

Ordering Information

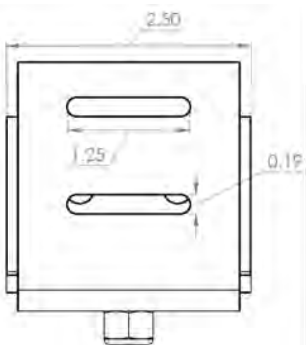
Example: ZV-18H-850-115C-LB-ORB-LP

Product	Length ¹	Output	CRI ²	Color	Beam Angle	Lens	Ingress Cable Orientation	iPosition	Termination ³	Ingress Opposite Orientation ⁴	Egress Cable Position	Mount
ZV	##	SO HO	80+ 90+	27 30 35 40 50 RED GRN BLU YLW	115	Clear	Left Right	End Back Nearside Farside	OPG Fly	Right Left	X - None End Back Nearside Farside	LP - Low Profile Bracket EP - Extended Profile Bracket

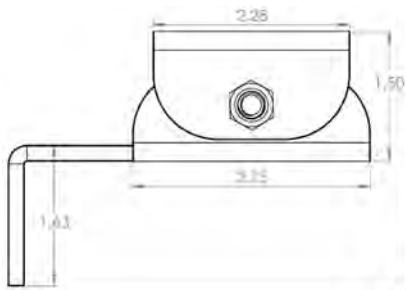
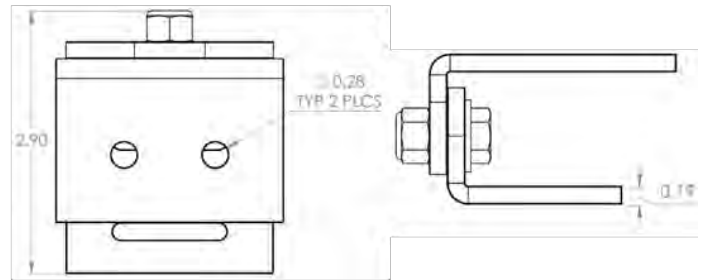
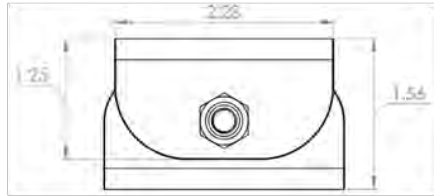


¹ Fixture length in inches, ² CRI does not apply to Colors; leave blank ³ Outdoor PlugnGo or Flying leads ⁴ Will always be the opposite letter of the Ingress Cable Orientation (R or L)

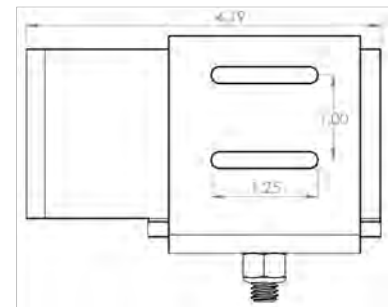
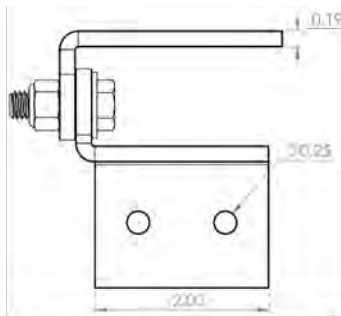
Mounting Clips



Low Profile Bracket



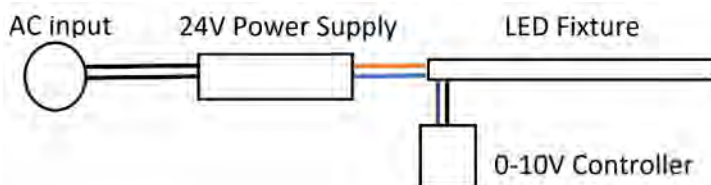
Extended Profile Bracket



- All dimensions in INCHES

Dimming

The Luma Series of products are designed with a built-in dimming circuit that requires a 0 - 10 V_{DC} sinking dimming controller to properly function. Either a third party sinking dimmer controller can be used or one of two available options in the LEDynamics LVD Series of products.





ZVfx LUMA SERIES

Built to withstand the test of time, the ZVfx adds optics for crisp beam sculpting to create a high output solution for wall grazing applications that require a robust and reliable fixture.

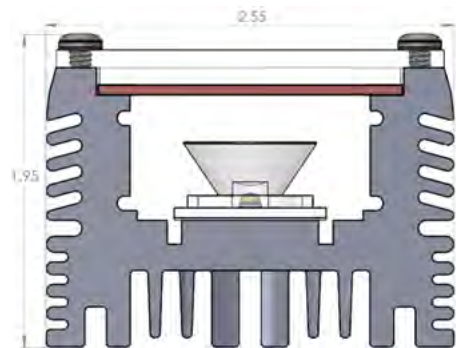
Available in either a standard or high output one-inch pitch light engine configuration, the ZVfx will deliver up to 909 lumens. Housed in a rugged aluminum envelope and protected by a UV resistant polycarbonate lens, the ZVfx will perform in the most extreme weather conditions. When combining onboard 0 – 10 V_{DC} dimming, thermal monitoring and current control to deliver ideal light levels while protecting against overheating and the ability to be mounted in either a fixed or articulating position, the ZVfx becomes a reliable and versatile solution for architects, specifiers and lighting designers to use with confidence.

Offered in twelve-inch increments up to four feet in length and daisy chain capable from a single driver, the ZVfx is a perfect solution for creating a dramatic wall grazing effect.

Features

- Made in America quality and craftsmanship
- UV stabilized polycarbonate lens
- Five standard CCTs plus options for colored customization
- Daisy chain configurable wiring to a single driver
- Thermal monitoring and current control combine to maintain light levels while guarding against overheating

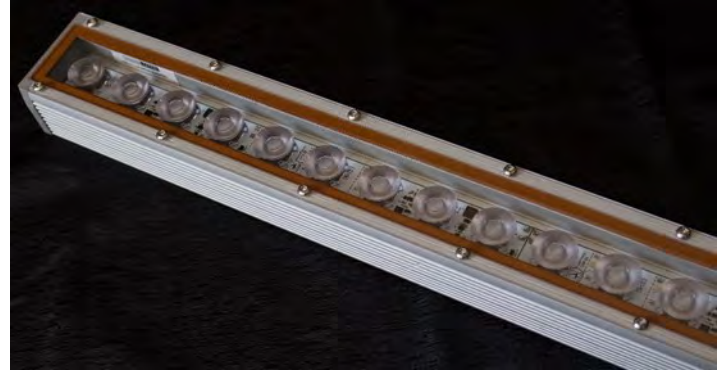
Mechanical Profile & Compliance



- All dimensions in INCHES



LOW VOLTAGE LINEAR LUMINAIRE



Specifications	2700K	3000K	3500K	4000K	5000K
CCT	2700K	3000K	3500K	4000K	5000K
LED Pitch	1.2"				
Lumen Output					
SO & 15°	516	516	524	610	697
SO & 40°	543	543	551	641	732
SO & 50x10°	551	551	559	651	744
HO & 15°	649	649	649	730	851
HO & 40°	682	682	682	768	895
HO & 50x10°	693	693	693	780	909
CRI	80+ & 90+				
Beam Angle	10°, 40°, 50x10°				
Lens	Clear				
Dimmable	Yes				
On Board Dimming	Yes				
Construction	Aluminum & Plastic				
Housing	Clear Anodized Aluminum				
Fixture Length _{Min}	12"				
Fixture Length _{Max}	48"				
Ordering Increments	12"				
Daisy-Chain Capable	Yes				
Power Consumption _w	SO 12W		HO 17W		
Efficacy _{LM/W}					
SO & 15°	43	43	44	51	58
SO & 40°	45	45	46	53	61
SO & 50x10°	46	46	47	54	62
HO & 15°	38	38	38	43	50
HO & 40°	40	40	40	45	53
HO & 50x10°	41	41	41	46	53
Power Supply	Class II				
Operating Voltage _{DC}	24V				
Fixture Connectors	Outdoor PlugGo				
Fixture Mounting	Low Profile Bracket, Extended Profile Bracket, Fixed Clip				
Environmental Rating	Wet				
Certifications	UL				
Warranty _{Limited}	5 years				
Product Dimensions _{SWxH}	2.50 x 1.94 in				
Operating Temp Range	-20 to 120 °F				
Storage Temp Range	-40 to 160 °F				
Weight	3.2 lb / ft				

Specifications subject to change without prior notification

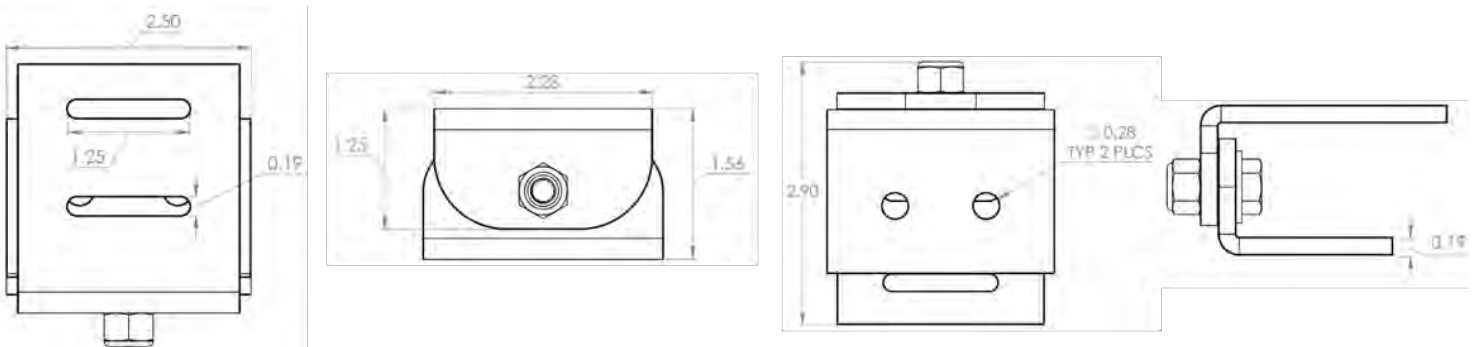
Ordering Information

Example: ZVF-35H-840-15C-LE-ORX-LP

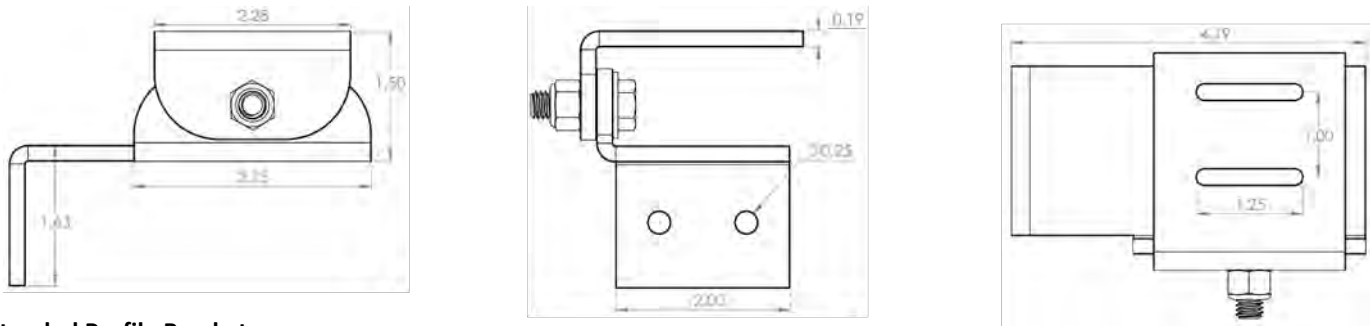
Product	Length ¹	Output	CRI ²	Color	Beam Angle	Lens	Ingress Cable Orientation	iPosition	Termination ³	Egress Cable Orientation ⁴	ePosition	Mount
ZVF	##	SO HO	80+ 90+	27 30 35 40 50	15 40 50x10	Clear	Left Right	End Back Nearside Farside	OPG	Right Left	X - None End Back Nearside Farside	LP - Low Profile EP - Extended Profile FC - Fixed Clip

¹ Fixture length in inches, ² CRI does not apply to Colors: leave blank ³ Outdoor PlugnGo ⁴ Will always be the opposite letter of the Ingress Cable Orientation (R or L)

Mounting Clips



Low Profile Bracket

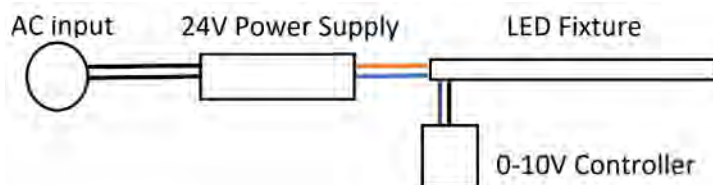


Extended Profile Bracket

- All dimensions in INCHES

Dimming

The Luma Series of products are designed with a built-in dimming circuit that requires a 0 - 10 V_{DC} sinking dimming controller to properly function. Either a third party sinking dimmer controller can be used or one of two available options in the LEDynamics LVD Series of products.



XML MICRO SERIES

Sleek, stylish and tiny... the XML delivers outstanding lumen output that, when combined with the less than one-point-two (1.25) cubic inch fixture envelope, is nearly imperceptible in any application.

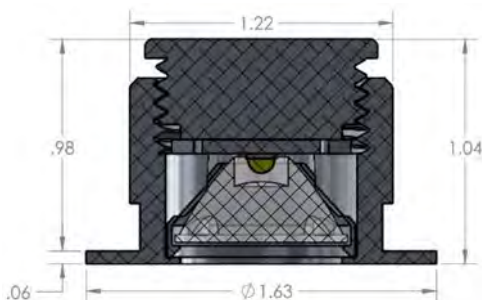
This decorative miniature luminaire is designed for recessed and low-profile applications. Constructed of a solid aluminum housing the XML provides durability and thermal management in an aesthetically pleasing form. Available with a variety of optics to achieve the desired beam sculpting, the XML can be easily mounted in ceilings, walls and millwork to achieve the specifiers desired effect. With a class two rating, the XML is dimmable and can be joined in series or parallel from a single driver when multiple fixtures are required.

Offered in black, white, natural and chrome finishes standard and custom finishes optional, the XML can be recess mounted or surface mounted with an articulating yoke bracket. The XML once again proves the adage that good things really do come in small packages.

Features

- Made in America quality and craftsmanship
- Solid aluminum housing for optimum heat dissipation
- Ultra-low profile for shallow recessed applications
- Five standard CCTs and four colored LED options
- Configurable in either series or parallel to a single driver
- Recessed and articulating surface mounting options
- Custom finish options available

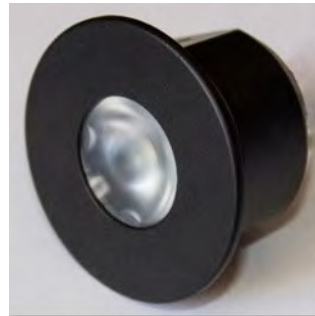
Mechanical Profile & Compliance



- All dimensions in INCHES



LOW VOLTAGE MICRO LUMINAIRE



Specifications					
CCT	2700K	3000K	3500K	4000K	5000K
Lumen Output	90	94	96	104	106
Frosted & SO	82	86	92	101	
Frosted & HO	194	216	223	227	
CRI	80+ & 90+				
Beam Angle	10°, 18°, 32°, 50x10°				
Lens	Clear				
Dimmable	Yes				
On Board Dimming	No				
Housing	Anodized Aluminum				
Finish	White, Black, Natural, Chrome				
Daisy-Chain Capable	Yes				
Efficacy(LM/W)	90	94	96	104	106
Power Supply	Constant Current - Class II				
Fixture Connectors	Indoor PlugnGo, Flying Leads				
Fixture Mounting	Retaining Spring Clip, microLuminaire Yoke Bracket				
Environmental Rating	Damp				
Certifications	UL				
Warranty ^{Limited}	5 years				
Product Dimensions ^{SWxH}	1.22 x 1.04 in				
Operating Temp Range	-20 to 120 °F				
Storage Temp Range	-40 to 160 °F				
Weight	0.1 lb				

Specification subject to change without prior notification

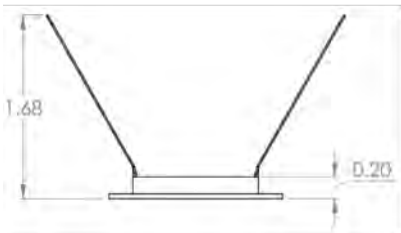
Ordering Information

Example: XML-GRN-BLK-10-RS

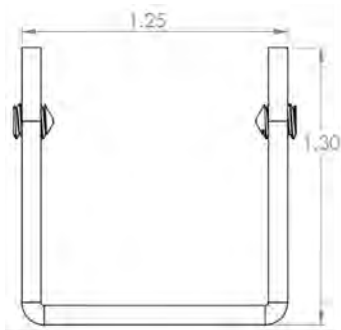
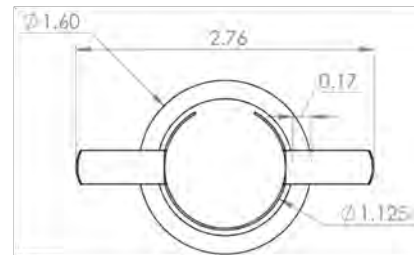
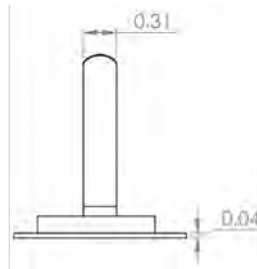
Product	CRI ¹	Color	Finish	Beam Angle	Mount
XML	80+	27	WHT - White	10	RS - Retaining Spring Clip
		30	BLK - Black	18	LY - microLuminare Yoke Bracket
	90+	35	NAT - Natural	32	
		40	CHM - Chrome	50x10	
		50			
		RED			
		GRN			
		BLU			
		AMB			

1 CRI does not apply to Colors 2 Retaining Spring Clip, microLuminare Yoke Bracket

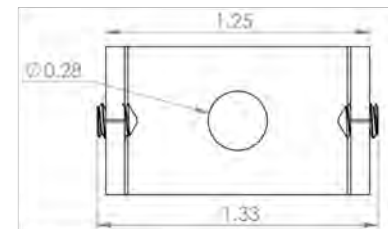
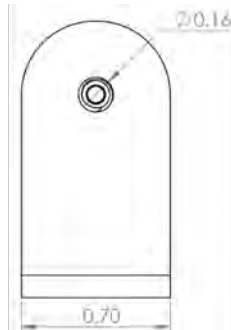
Mounting Clips



Retaining Spring Clip



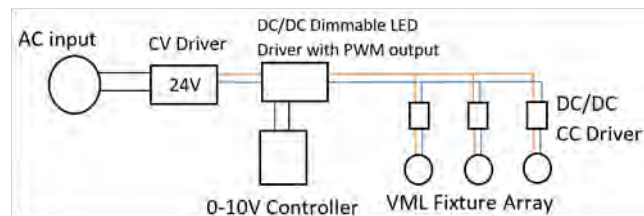
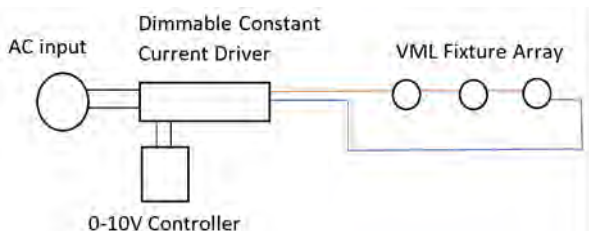
MicroLuminare Yoke Bracket



- All dimensions in INCHES

Dimming

The **Micro Series** of products is energized through a constant current power supply. There are two methods of for dimming the Micro Series which include a constant current driver with built in analog dimming or a constant voltage driver with PWM output. In either configuration, an external 0 – 10V_{DC} dimming controller is required to reduce illumination down to zero percent.



VML MICRO SERIES

Sleek, stylish and tiny... the VML delivers outstanding lumen output that, when combined with the less than a one-point-two (1.25) cubic inch fixture envelope, is nearly imperceptible in any application.

This decorative miniature luminaire is designed for recessed and low-profile applications. Constructed of a solid aluminum housing the VML provides durability and thermal management in an aesthetically pleasing form. Available with a fixed beam angle of one-hundred-ten degrees (110°), the VML can be easily mounted in ceilings, walls and millwork to achieve the specifier's desired effect. With a class two rating, the VML is dimmable and can be joined in series or parallel from a single driver when multiple fixtures are required.

Offered in black, white, natural and chrome finishes standard and custom finishes optional, the VML can be recess mounted or surface mounted with an articulating yoke bracket. The VML once again proves the age-old adage that good things really do come in small packages.

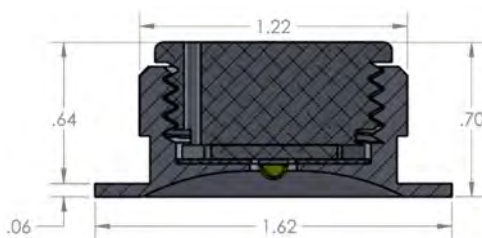
LOW VOLTAGE MICRO LUMINAIRE



Features

- Made in America quality and craftsmanship
- Solid aluminum housing for optimum heat dissipation
- Ultra-low profile for shallow recessed applications
- Five standard CCTs and four colored LED options
- Configurable in either series or parallel to a single driver
- Recessed and articulating surface mounting options
- Custom finish options available

Mechanical Profile & Compliance



- All dimensions in INCHES



Specifications	2700K	3000K	3500K	4000K	5000K
CCT	2700K	3000K	3500K	4000K	5000K
Lumen Output	108	111	113	122	125
CRI	80+ & 90+				
Beam Angle	110°				
Lens	None				
Dimmable	Yes				
On Board Dimming	No				
Construction & Housing	Anodized Aluminum				
Finish	White, Black, Natural, Chrome				
Daisy-Chain Capable	Yes				
Ordering Increments	1				
Power Consumption(w)	1W				
Efficacy(LM/W)	108	111	113	122	125
Power Supply	Constant Current - Class II				
Fixture Connectors	Indoor PlugnGo, Flying Leads				
Fixture Mounting	Retaining Spring Clip, microLuminaire Yoke Bracket				
Environmental Rating	Damp				
Certifications	UL				
Warranty ^{Limited} Product	5 years				
Dimensions _{SWxH}	1.22 x 0.70 in				
Operating Temp Range	-20 to 120 °F				
Storage Temp Range	-40 to 160 °F				
Weight	0.1 lb				

Specification subject to change without prior notification

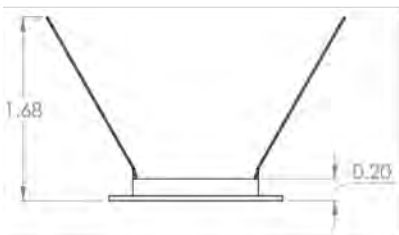
Ordering Information

Example: VML-940-NAT-110-RSC

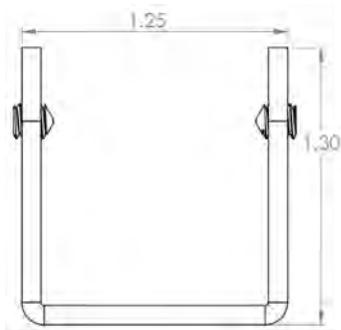
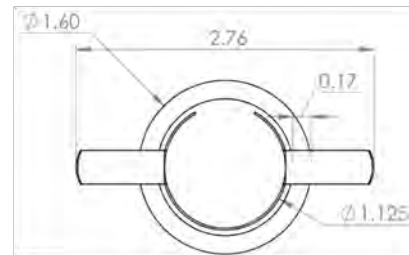
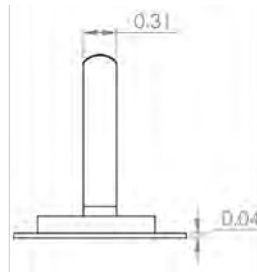
Product	CRI ¹	Color	Finish	Beam Angle	Mount
VML	80+	27	WHT - White	110	RS - Retaining Spring Clip
	90+	30	BLK - Black	130	LY - microLuminaire Yoke Bracket
		35	NAT - Natural		
		40	CHM - Chrome		
		50			
		RED			
		GRN			
		BLU			
		AMB			

1 CRI does not apply to Colors 2 Beam angle of 110° for White LEDs and 130° for Colors 3 Retaining Spring Clip,

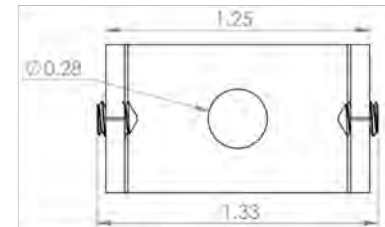
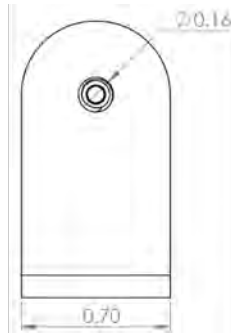
Mounting Clips



Retaining Spring Clip



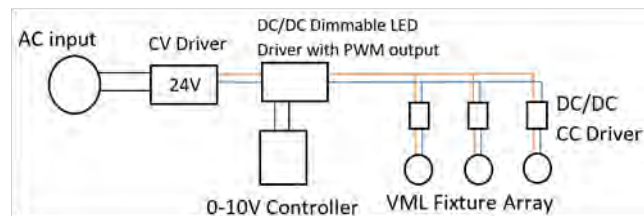
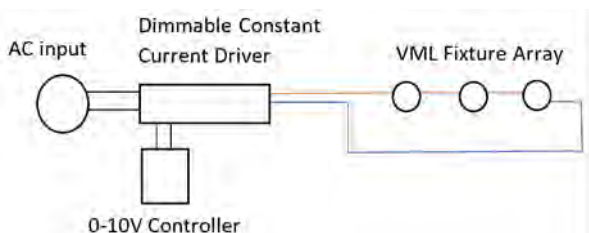
MicroLuminaire Yoke Bracket



- All dimensions in INCHES

Dimming

The **Micro Series** of products is energized through a constant current power supply. There are two methods of for dimming the Micro Series which include a constant current driver with built in analog dimming or a constant voltage driver with PWM output. In either configuration, an external 0 – 10V_{DC} dimming controller is required to reduce illumination down to zero percent.



525 NITE-GLOW SERIES

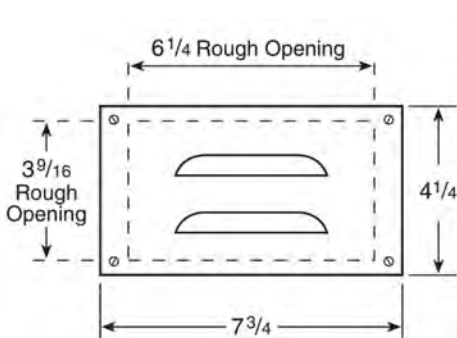
Sleek, stylish and designed with the needs of occupant and public safety. With a low profile recessed design, the 525 has become a standard for specifiers when night light or aisle lighting is required. Available in four different finishes, the louvers are designed to maximize light output with a clean cutoff while still delivering sufficient illumination to navigate a darkened room.

Designed with a state-of-the-art LED light engine for energy efficiency and a variety of white CCTs and colored LEDs option, the 525 can be configured to meet the specific needs of nearly any nightlight or aisle application and will deliver years of maintenance free performance. The 525 is also available with a through wall mounting option which allows a second satellite fixture to be mounted on an adjacent wall and powered via a low voltage connection from up to three feet away.

Features

- Made in America craftsmanship and quality
- Galvanized steel back box with folded and welded corners, and mounting tabs
- Five standard CCTs and four colored LEDs standard options available
- Through wall or satellite configuration capable
- Four standard louver options; contact factory for custom requirements

Mechanical Profile & Compliance



- All dimensions in INCHES



LOW VOLTAGE NIGHT/AISLE LIGHT



Specifications

CCT	2700K	3000K	3500K	4000K	5000K
Lumen Output	35	42	43	45	49
CRI	80+ & 90+				
Beam Angle	90°				
Lens	None				
Dimmable	No				
On Board Dimming	No				
Construction	Steel, Plastic				
Housing	Steel				
Power Consumption _w	1W				
Efficacy _{LM/W}	35	42	43	45	49
Power Supply	Class II				
Operating Voltage _{dc}	12Vdc				
Fixture Connectors	Molex Connector				
Fixture Mounting	In Wall				
Built In Functionality:	None				
Environmental Rating	Damp				
Certifications	UL, RoHS				
Warranty _{Limited}	5 years				
Product Dimensions _{wxh}	7.75"x4.24"x0.45" (Faceplate only) 7.375"x3.6"x2.35" (backbox only)				
Operating Temp Range	-40 to 120 °F				
Storage Temp Range	-40 to 160 °F				
Weight	2lbs				

Specifications subject to change without prior notification

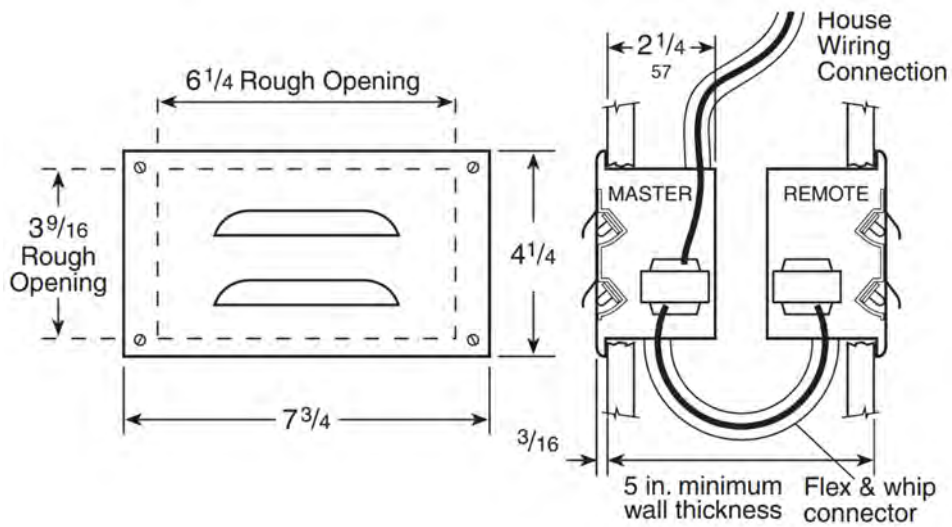
Ordering Information

Example: 525-FS-850-WHM-D

Product	Type	Service	Color	Plate	Screws	Environment
525	Fixture	Single	827	<u>N</u> one ¹	<u>N</u> one ¹	<u>N</u> one ¹
		Double	830	<u>W</u> hite	<u>M</u> atching	<u>D</u> ry
	Retrofit		835	<u>B</u> lack	<u>T</u> amper Proof	<u>W</u> et
			840	<u>S</u> tainless		
			850	<u>B</u> rass		
			RED			
			GRN			
			BLU			
			YLW			

¹None only applicable option available for 525 Retrofit Type

Mechanical Dimensions



PSH CV SERIES

CONSTANT VOLTAGE POWER SUPPLY

The **CV Series** leverages the industry's best technology to ensure that the custom fixtures in the Prolume portfolio perform to the best of their ability when energized. With a low voltage power supply offering ranging from 4 to 100 watts, the PSH product offerings will deliver quality results to meet your specific illumination requirements with Prolume fixtures.

Specifications	PSH24-012	PSH24-024	PSH24-040	PSH24-060	PSH24-080	PSH24-100	PSH12-004
Output Voltage _{dc}	24						12
Output Current _{MAX}	0.5 A	1.0 A	1.67 A	2.5 A	3.3 A	4.17 A	0.33 A
¹ Output Power _{MAX}	12 W	24 W	40 W	60 W	80 W	100 W	4 W
Input Voltage _{120 dc}	120 V						
Input Current	0.18 A	0.27 A	0.5 A	0.65 A	0.86 A	0.96 A	0.12 A
Input Voltage _{277 dc}	277 V						
Input Current	0.08 A	0.13 A	0.13 A	0.28 A	0.4 A	0.41 A	0.06 A
Input Power	15 W	29 W	47 W	70 W	93 W	112 W	4 W
Input Frequency	50 / 60 Hz						
Power Factor	>0.90	>0.90	>0.90	>0.90	>0.90	>0.90	>0.40
Efficacy	75%	83%	86%	86%	86%	86%	70%
Minimum Load	50%	None	10%	None	None	None	10%
Environmental Rating	Wet	Wet	Damp	Damp	Damp	Damp	Damp
Certifications	UL 8750 Recognized Component, FCC, UL, RoHS						
Warranty _{Limited}	5 years						
Housing	Polycarbonate	Metal	Polycarbonate	Metal	Metal	Metal	Polycarbonate
Dimensions _{SLxWxH}	3 x 1.23 x	4.80 x 1.58 x	3.76 x 2.74 x	9.5 x 1.7 x	9.5 x 1.7 x	9.5 x 1.7 x	1.93 x 1.07 x
_{Inch}	0.98	0.96	1.26	1.18	1.18	1.18	0.79
Case Style	Y	D	W	I	I	I	-
Operating Temp _{Rar}	-30 to 90 °C	-40 to 90 °C	-40 to 90 °C	-40 to 90 °C	-40 to 90 °C	-30 to 90 °C	-20 to 85 °C
Weight _{lbs}	0.16 lb	0.52 lb	0.66 lb	1.33 lb	1.33 lb	2.45 lb	0.26 lb

¹ Load should not exceed eighty percent (80%) of driver capacity.
Specification subject to change without prior notification

Features

- Short circuit and overload protection
- Over temperature protection
- Output Voltage tolerance +/- 5% @ 25°C
- Withstanding voltage: I/P – O/P 2kVAC

Ordering Information

Series	Product	Voltage	Wattage ¹
CV	PSH	12	004
		24	012
			024
			040
			060
			080
			100

¹ Four (004) watt only available with 12 V output. All other drivers operate at 24 V.