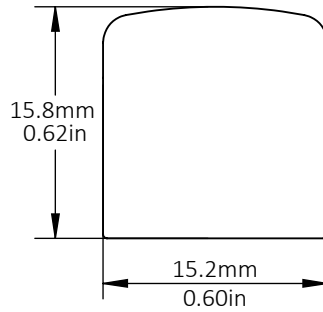


Project		Part Num		Prepared By	
Type		Notes		Date	



## Product Features

- Tailored fixture lengths, to the inch, to meet specific requirements
- Five standard CCTs and four colored LED options
- Ultralow profile for seamless integration
- 170° Frosted light pattern
- Clear lensing with a UV stabilized polycarbonate housing

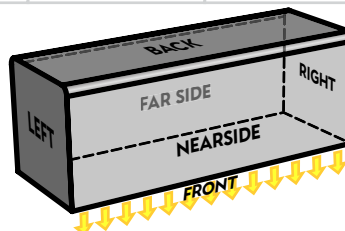


## Ordering Information

Sample Part Number: NEO-13S-830F-170-LE-IRE-SC

Product ID		Length		Output		CRI		CCT & Colors		Extrusion		Beam Angle		Ingress Cable Orientation	
NEO	Neotour Profile Series Low Voltage Linear Luminaire	xx	Fixture length in inches	L S H	Low Standard High	8 9	80+ CRI 90+ CRI	27 30 35 40 50 AMB BLU GRN RED	2700K 3000K 3500K 4000K 5000K Amber Blue Green Red	F	Frosted	170	170° FWHM	L R	Left Right
		Minimum length 5 inches, maximum length 102 inches				Custom CRI options available upon request		CRI not applicable to colors. Custom CCT options available upon request							

Ingress Cable Position		Termination		Egress Opposite Orientation		Egress Cable Position		Mount		Accessory		Accessory Position	
E B N F	End Back Nearside Farside	I O	IPG OPG	R L	Right Left	X E B N F	None End Back Nearside Farside	BT SC AC CC DC	Very High Bond Tape Spring Clip Articulating Clip Channel Clip Deep Channel Clip	Blank S	None Switch	Blank N F B	None Nearside Farside Back
		Indoor PlugnGo Outdoor PlugnGo		Will always be the opposite letter of the Ingress Cable Orientation						Separate accessory options with a (-)			



## Product Specifications

### Construction

Housing extruded from UV stabilized polycarbonate

### Light Engines

Choice of 2700K, 3000K, 3500K, 4000K, and 5000K white or Amber, Blue, Green, and Red. Additional color options available, contact factory for details

CRI options of 80+ and 90+. Additional CRI options available, contact factory for details

Excellent 3 Step white color consistency

Dimmable via an external dimmable power supply or dimmable LED driver

Input Voltage 24VDC

### Power Supply

Input Voltage 120 or 277VAC additional input voltage ranges available, contact factory

### Controls

Dependent upon the power supply or the LED driver

### Mounting

Very High Bond Tape, Spring Clip, Articulating Clip, Channel Clip, Deep Channel Clip

### Fixture Connection

Indoor PlugnGo for dry locations or Outdoor PlugnGo for wet locations

### Lengths

Available in one inch increments between the minimum length of five inches and maximum length of 102 inches

### Lumen Output

Custom outputs available, contact factory for additional details.

### Operating and Storage Temp

Operating range -20° to 120° F  
Storage range -40° to 160° F

### Weight

0.16 lbs (0.7 kg) per foot

### Certifications

UL listed for wet or dry locations

### Warranty

Five year limited warranty

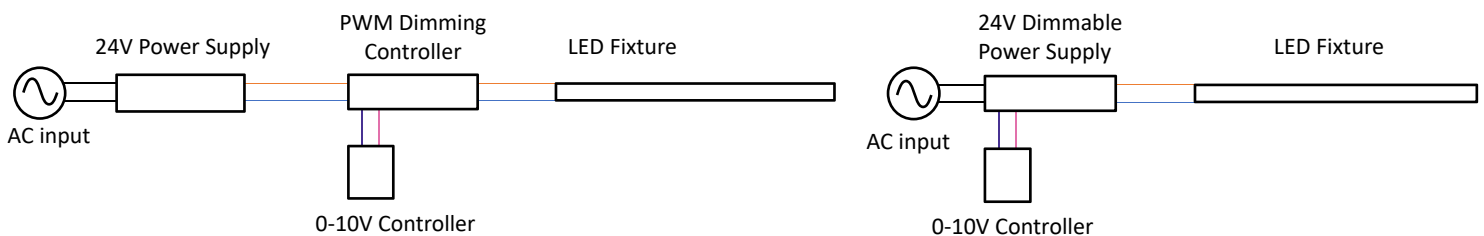
## Performance Data

	2700K	3000K	3500K	4000K	5000K	Amber	Blue	Green	Red
Typical Low Output	130 lm/ft	130 lm/ft	140 lm/ft	150 lm/ft	150 lm/ft	25 lm/ft	40 lm/ft	170 lm/ft	36 lm/ft
Typical Std Output	190lm/ft	200 lm/ft	200 lm/ft	225 lm/ft	220 lm/ft	35 lm/ft	60 lm/ft	260 lm/ft	55 lm/ft
Typical High Output	240lm/ft	250 lm/ft	250 lm/ft	275 lm/ft	275 lm/ft	50 lm/ft	75 lm/ft	320 lm/ft	75 lm/ft
Typ. Low Power	1.9 W/ft	1.9 W/ft	1.9 W/ft	1.9 W/ft	1.9 W/ft	1.9 W/ft	1.9 W/ft	1.9 W/ft	1.9 W/ft
Typ. Standard Power	2.9 W/ft	2.9 W/ft	2.9 W/ft	2.9 W/ft	2.9 W/ft	2.9 W/ft	2.9 W/ft	2.9 W/ft	2.9 W/ft
Typ. High Power	3.8 W/ft	3.8 W/ft	3.8 W/ft	3.8 W/ft	3.8 W/ft	3.8 W/ft	3.8 W/ft	3.8 W/ft	3.8 W/ft
Typical Efficiency	70 lm/W	73 lm/W	74 lm/W	76 lm/W	80 lm/W	13 lm/W	21 lm/W	93 lm/W	20 lm/W
Color Consistency	3 Step	3 Step	3 Step	3 Step	3 Step				
CRI	80+	80+	80+	80+	80+				

\* All performance data subject to change without prior notification.

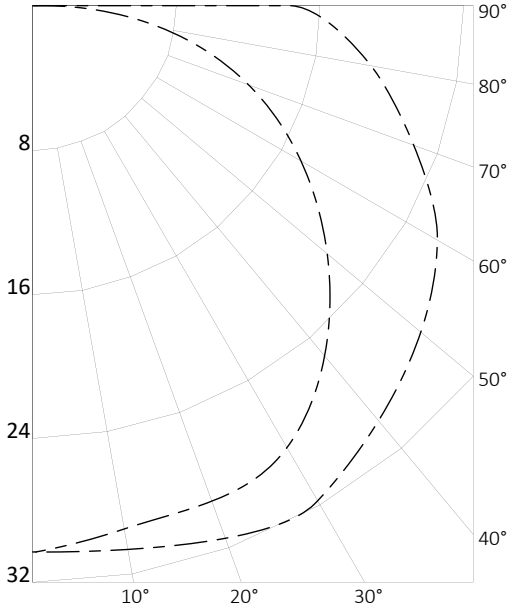
## Dimming

There are two recommended methods for dimming the Neotour. Use of an inline PWM dimming controller in conjunction with a constant voltage power supply. Or use a dimmable power supply that will output a PWM signal.



## Photometric Data

### Polar Curves



LEGEND  
0-deg - - - - -  
90-deg ————

### Candela Distribution

Vertical Angles	Horizontal Angles				
	0	22.5	45	67.5	90
0	30	30	30	30	30
5	31	31	30	29	29
15	31	31	31	30	29
25	31	31	30	28	28
35	30	29	28	26	26
45	28	27	27	24	23
55	26	26	23	21	19
65	24	23	20	17	15
75	20	19	16	12	10
85	17	16	13	9	6
90	12	12	10	6	3

### Zonal Lumens

Zone	Lumens
0	0
0-10	1
10-20	6
20-30	11
30-40	16
40-50	19
50-60	21
60-70	21
70-80	19
80-90	15
90	0

Part Num: NEO-13L-830F-170-LE-FRX-SC

LUMENS: 136 lm

LPW: 69 lm/W

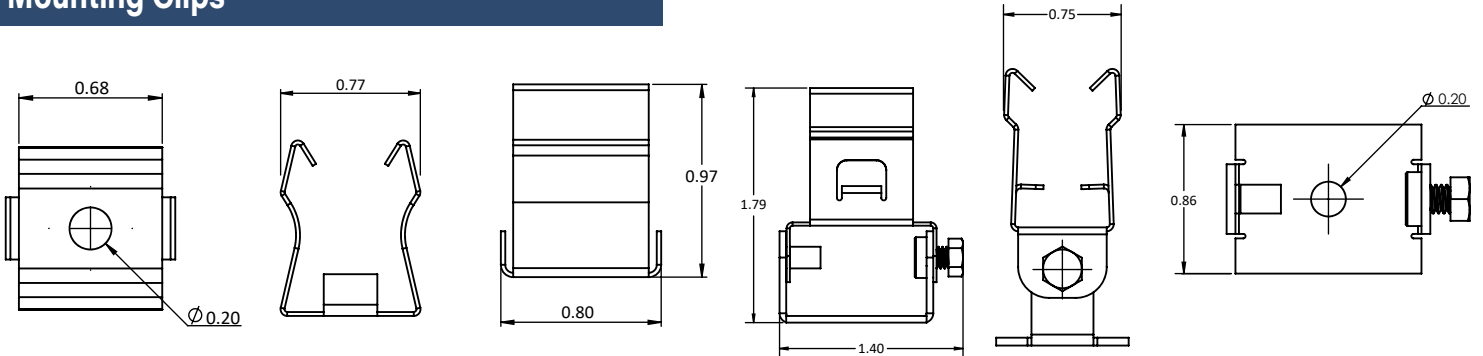
CCT: 3000K

VIEWING ANGLE: 170°

WATTS: 1.96 W

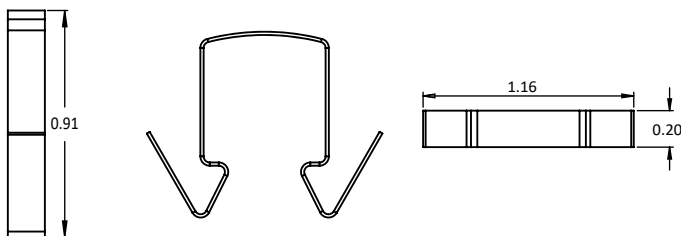
Tested following IESNA LM-79-2019 procedures

## Mounting Clips

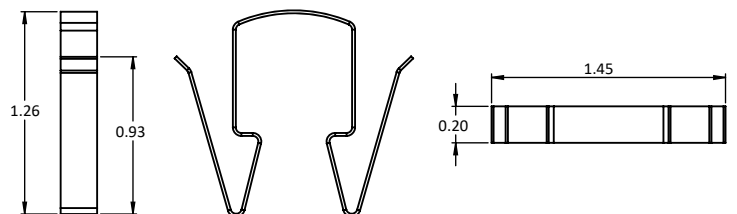


Stainless Spring Clip

Articulating Spring Clip

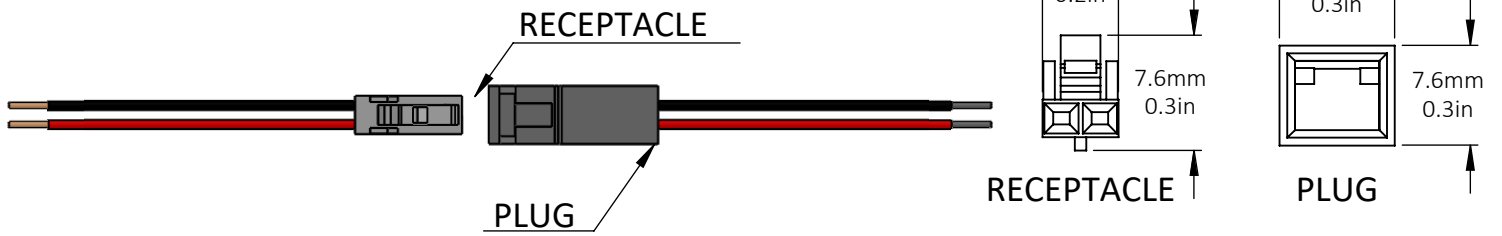


Steel Channel Clip

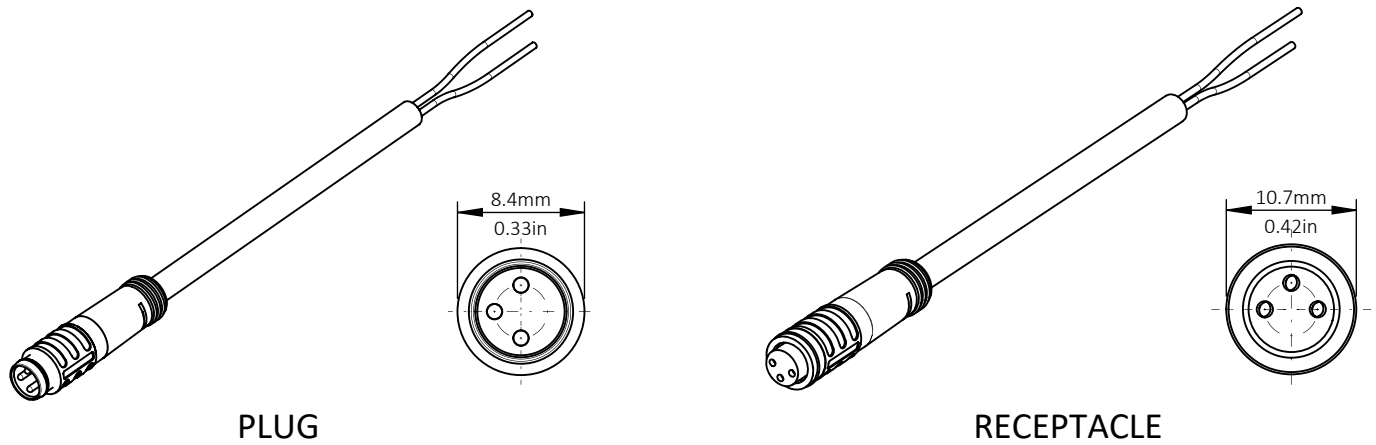


Deep Channel Clip

## Indoor Plug and Go Connectors (dry, damp)



## Outdoor Plug and Go Connectors (wet)



## Mechanical Drawings

