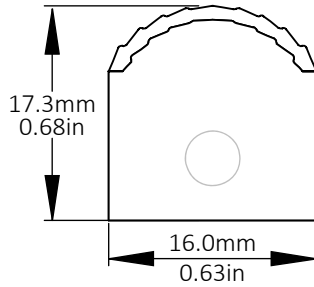


Project		Part Num		Prepared By	
Type		Notes		Date	



Product Features

- Tailored fixture lengths, to the inch, to meet specific requirements
- Five standard CCTs and four colored LED options
- Ultralow profile for seamless integration
- 60 or 90 degree light patterns
- Clear lensing with a UV stabilized polycarbonate housing

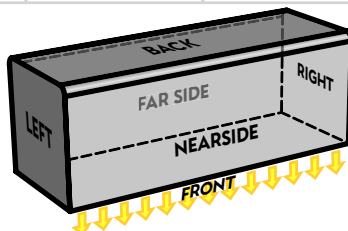


Ordering Information

Sample Part Number: LIA-12H-830C-060-LE-IRE-SC-SN

Product ID		Length		Output		CRI		CCT & Colors		Extrusion		Beam Angle		Ingress Cable Orientation	
LIA	LIA Profile Series Low Voltage Linear Luminaire	xx	Fixture length in inches	L S H	Low Standard High	8 9	80+ CRI 90+ CRI	27 30 35 40 50 AMB BLU GRN RED	2700K 3000K 3500K 4000K 5000K Amber Blue Green Red	C	Clear	060 090	60° FWHM 90° FWHM	L R	Left Right
		Minimum length 5 inches, maximum length 102 inches				Custom CRI options available upon request		CRI not applicable to colors. Custom CCT options available upon request							

Ingress Cable Position		Termination		Egress Opposite Orientation		Egress Cable Position		Mount		Accessory		Accessory Position	
E B N F	End Back Nearside Farside	I O	IPG OPG	R L	Right Left	X E B N F	None End Back Nearside Farside	BT SC AC CC DC	Very High Bond Tape Spring Clip Articulating Clip Channel Clip Deep Channel Clip	Blank S	None Switch	Blank N F B	None Nearside Farside Back
		Indoor PlugnGo Outdoor PlugnGo		Will always be the opposite letter of the Ingress Cable Orientation						Separate accessory options with a (-)			



Product Specifications

Construction

Housing extruded from UV stabilized polycarbonate

Light Engines

Choice of 2700K, 3000K, 3500K, 4000K, and 5000K white or Amber, Blue, Green, and Red. Additional color options available, contact factory for details

CRI options of 80+ and 90+. Additional CRI options available, contact factory for details

Excellent 3 Step white color consistency

Dimmable via an external dimmable power supply or dimmable LED driver

Input Voltage 24VDC

Power Supply

Input Voltage 120 or 277VAC additional input voltage ranges available, contact factory

Controls

Dependent upon the power supply or the LED driver

Mounting

Very High Bond Tape, Spring Clip, Articulating Clip, Channel Clip, Deep Channel Clip

Fixture Connection

Indoor PlugnGo for dry locations or Outdoor PlugnGo for wet locations

Lengths

Available in one inch increments between the minimum length of five inches and maximum length of 102 inches

Lumen Output

Custom outputs available, contact factory for additional details.

Operating and Storage Temp

Operating range -20° to 120° F
Storage range -40° to 160° F

Weight

0.16 lbs (0.7 kg) per foot

Certifications

UL listed for wet or dry locations

Warranty

Five year limited warranty

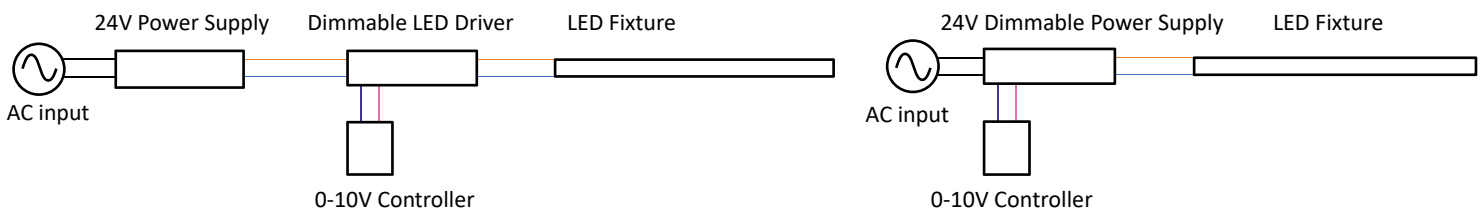
Performance Data

	2700K	3000K	3500K	4000K	5000K	Amber	Blue	Green	Red
Typical Low Output	250 lm/ft	250 lm/ft	250 lm/ft	275 lm/ft	275 lm/ft	39 lm/ft	64 lm/ft	294 lm/ft	60 lm/ft
Typical Std Output	350 lm/ft	350 lm/ft	350 lm/ft	375 lm/ft	375 lm/ft	59 lm/ft	97 lm/ft	434 lm/ft	90 lm/ft
Typical High Output	475 lm/ft	475 lm/ft	475 lm/ft	500 lm/ft	500 lm/ft	81 lm/ft	127 lm/ft	547 lm/ft	125 lm/ft
Typ. Low Power	1.9 W/ft	1.9 W/ft	1.9 W/ft	1.9 W/ft	1.9 W/ft	1.9 W/ft	1.9 W/ft	1.9 W/ft	1.9 W/ft
Typ. Standard Power	2.9 W/ft	2.9 W/ft	2.9 W/ft	2.9 W/ft	2.9 W/ft	2.9 W/ft	2.9 W/ft	2.9 W/ft	2.9 W/ft
Typ. High Power	3.8 W/ft	3.8 W/ft	3.8 W/ft	3.8 W/ft	3.8 W/ft	3.8 W/ft	3.8 W/ft	3.8 W/ft	3.8 W/ft
Typical Efficiency	124 lm/W	128 lm/W	130 lm/W	134 lm/W	141 lm/W	20 lm/W	33 lm/W	150 lm/W	31 lm/W
Color Consistency	3 Step	3 Step	3 Step	3 Step	3 Step				
CRI	80+	80+	80+	80+	80+				

* All performance data subject to change without prior notification.

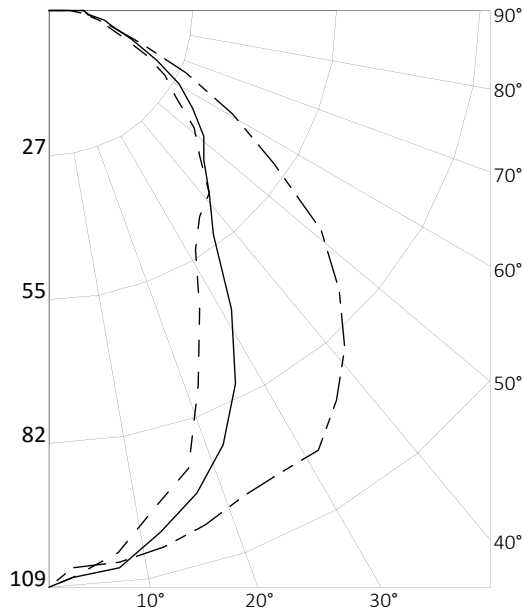
Dimming

There are two recommended methods for dimming the LIA. Use of an inline PWM dimming controller in conjunction with a constant voltage power supply. Or use a dimmable power supply that will output a PWM signal.



Photometric Data

Polar Curves



LEGEND
 0-deg ————
 45-deg - - - -
 90-deg - . - .

Candela Distribution

Vertical Angles	Horizontal Angles				
	0	22.5	45	67.5	90
0	103	103	103	103	103
5	104	104	106	108	105
15	92	94	97	103	102
25	67	71	81	93	98
35	50	50	57	78	93
45	41	43	42	54	78
55	31	32	34	34	55
65	21	21	23	23	30
75	12	12	13	13	13
85	8	8	8	8	7
90	5	6	6	5	3

Zonal Lumens

Zone	Lumens
0	0
0-10	5
10-20	22
20-30	34
30-40	38
40-50	37
50-60	33
60-70	25
70-80	16
80-90	14
90	0

Part Num: LIA-13L-930C-060-LE-IRX-SC

LUMENS: 225 lm

LPW: 115 lm/W

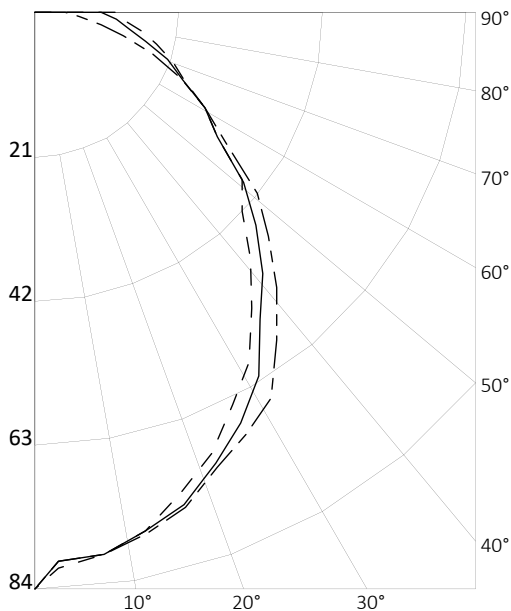
CCT: 3000K

VIEWING ANGLE: 60°

WATTS: 1.96 W

Tested following IESNA LM-79-2019 procedures

Polar Curves



LEGEND
 0-deg ————
 45-deg - - - -
 90-deg - . - .

Candela Distribution

Vertical Angles	Horizontal Angles				
	0	22.5	45	67.5	90
0	79	79	79	79	79
5	80	80	80	80	80
15	75	75	76	77	76
25	66	66	68	70	69
35	55	56	58	61	61
45	43	44	46	48	49
55	34	34	34	35	36
65	25	25	25	24	24
75	19	18	17	15	14
85	14	14	12	9	7
90	9	9	8	6	3

Zonal Lumens

Zone	Lumens
0	0
0-10	4
10-20	17
20-30	27
30-40	33
40-50	34
50-60	31
60-70	26
70-80	19
80-90	19
90	0

Part Num: LIA-13L-930F-090-LE-IRX-SC

LUMENS: 209 lm

LPW: 107 lm/W

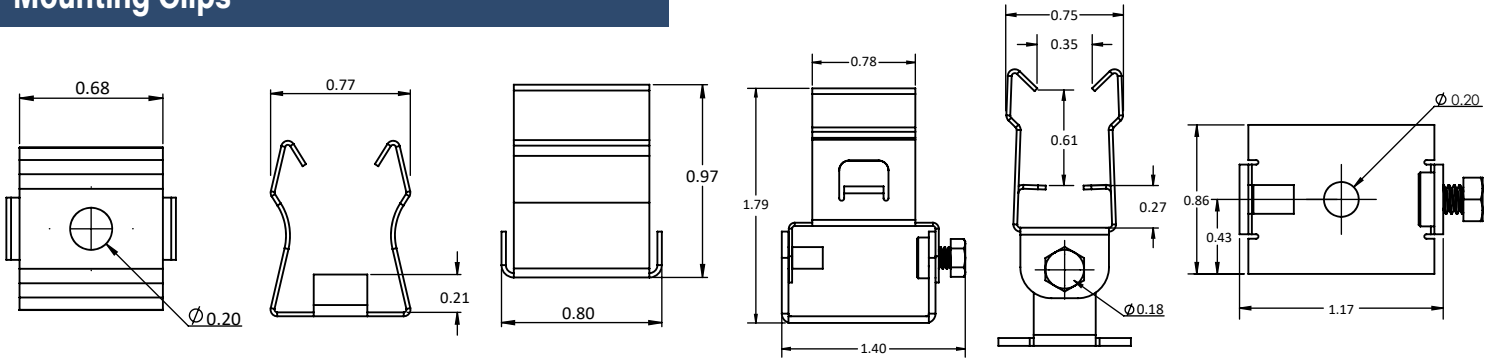
CCT: 3000K

VIEWING ANGLE: 90°

WATTS: 1.96 W

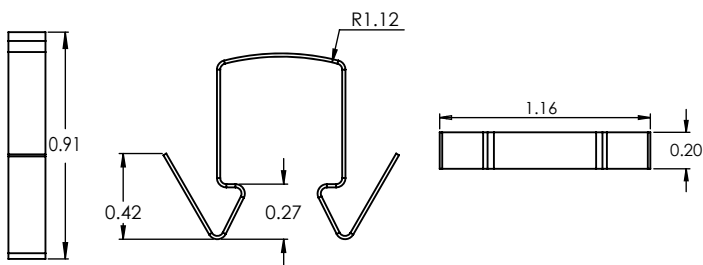
Tested following IESNA LM-79-2019 procedures

Mounting Clips

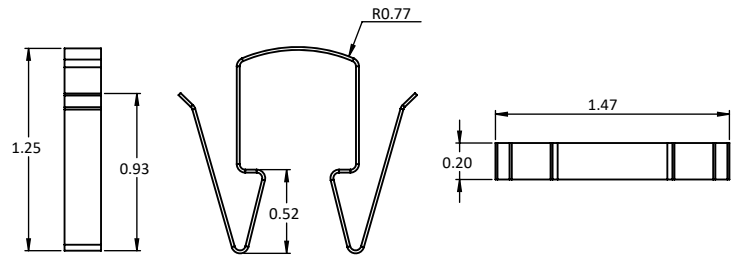


Stainless Spring Clip

Articulating Spring Clip



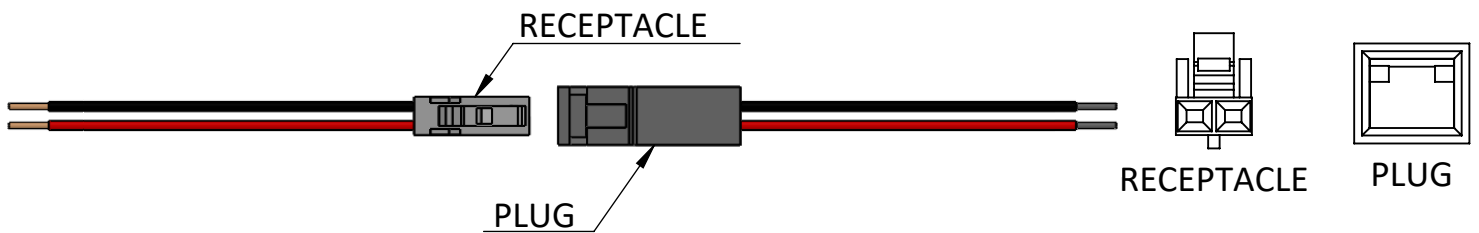
Steel Channel Clip



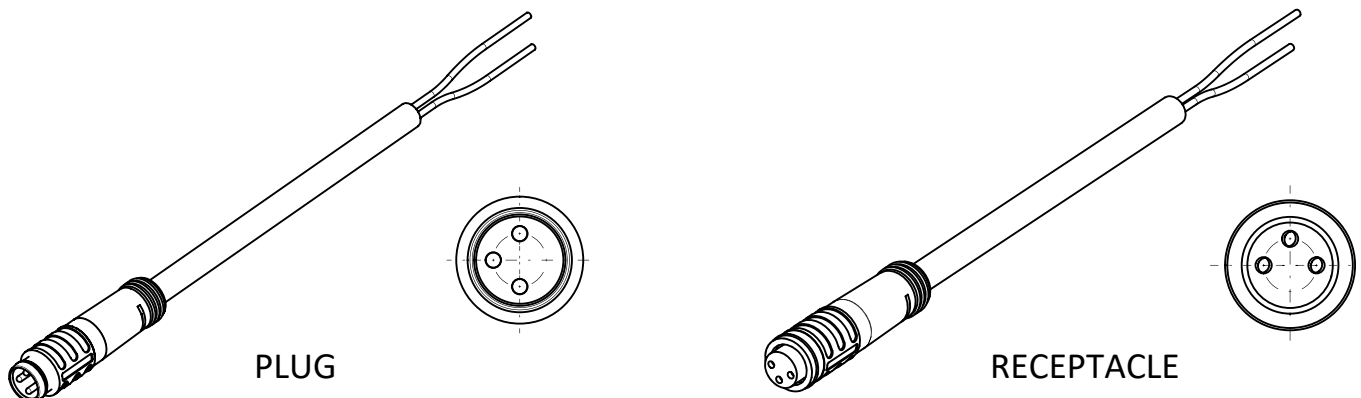
Deep Channel Clip

*All dimensions in inches

Indoor Plug and Go Connectors (dry, damp)



Outdoor Plug and Go Connectors (wet)



Mechanical Drawings

