



Energy Efficient, High Quality,
LED Lighting Products



SERIES RIA40

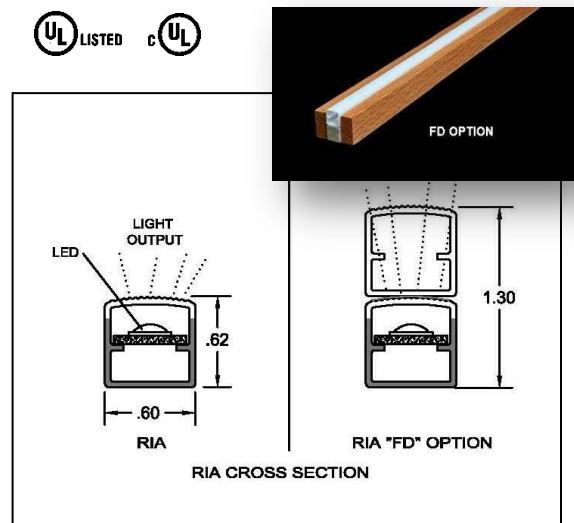
CUSTOM DESIGNED
LED ILLUMINATION ASSEMBLIES
with Nichia Series157® Power LEDs

Prolume Series RIA40 Custom Designed LED Illumination Assemblies are built around the proven platform of the standard Series LIA arrays with the additional enhancement of Nichia® Power LEDs. Key features include...

- **Nichia Series157® Power LEDs**
Nominally rated 40mA LEDs provide increased light output in a full range of ANSI binned white color temperatures with specified. 50,000 hours life to performance.
- **Basic Design**
Printed wiring boards with surface mounted LEDs on 1/2" centers and regulating electronics form the basic illumination assembly, which is housed in a sealed, flexible polycarbonate co-extrusion of application specific continuous lengths of up to 15 feet. Extrusion is UV stabilized polycarbonate with a 94V-2 flammability rating.
- **Mounting**
Options include VHB tape, stainless steel mounting and channel clips and articulating brackets. Custom metal brackets and channels can be tailored to specific application requirements.
- **Light Distribution**
Available with 120° beam spread for maximum light distribution. Ribbing on the extrusion enhances uniformity.
- **Circuit and Thermal Management**
Uniquely designed printed wiring boards with proprietary electronic sensing and control components optimize LED performance and provide critical thermal management.
Dimmable.



- **Electrical**
Assemblies are nominally rated at 24VDC. They are designed for installation using Class 2 wiring methods. A full range of LED drivers are available. See separate catalog sheet.
- **Power White LEDs** – 3.6 Watts per foot
- **Agency**
Assemblies are UL Listed for both indoor and wet location use. Rated for **outdoor** use.



Fixture Schedule

Type	Model Number

Job:

Remarks:



HIGHLY INNOVATIVE • TECHNOLOGY BASED • QUALITY LIGHTING PRODUCTS

525 Fan Hill Road • Monroe • Connecticut 06468
Phone (800) EXIT-LED • FAX (203)268-7855
www.prolumeLED.com
email: info@prolumeled.com

TECHNICAL / ORDERING INFORMATION

LED SELECTOR / ANSI BINNED					WIRING OPTIONS	
COLOR	CCT Nominal	CRI Typical	Order suffix	Lumens / FT Typical @ 40mA	Order Suffix	Type / Description
Warm White	2700°K	85	W827	266	20	20 gauge bonded / typical indoor
Warm White	3000°K	85	W830	275	T	20/2 tray cable / indoor, outdoor
Neutral White	3500°K	85	N835	283	PG	Plug-Go connectors / indoor
Neutral White	4000°K	85	N840	288	OPG	Plug-Go connectors / outdoor
Cool White	5000°K	70	C750	297	DESIGN OPTIONS	
CONSULT FACTORY for other options including CCT, drive current, wiring and custom mounting brackets and channels					1) Add suffix F to fixture length For frosted extrusion. 2) Add suffix FD to fixture length for double frosted extrusions to create linear line of light effect.	

To Order, Specify...

SERIES – LENGTH – LED / WIRING (*INCLUDE LENGTH and TYPE)

Example...

Model RIA40-65F-W830/10T

Series **RIA40**, **65"** L, Frosted extrusion, Warm white **85 CRI 3000°K** LEDs, with **10'** Tray cable termination leads

DIMMING

For Series RIA40 Linear Arrays...

Requires either a dimming driver or a separate dimming module as shown in drawing below.

