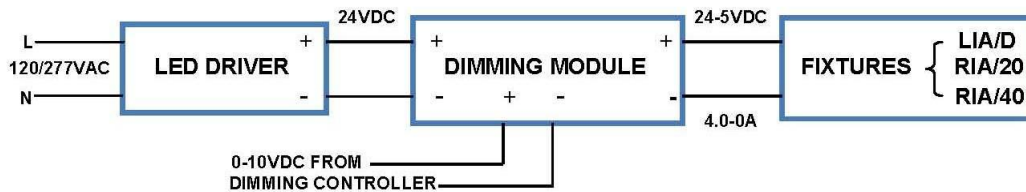


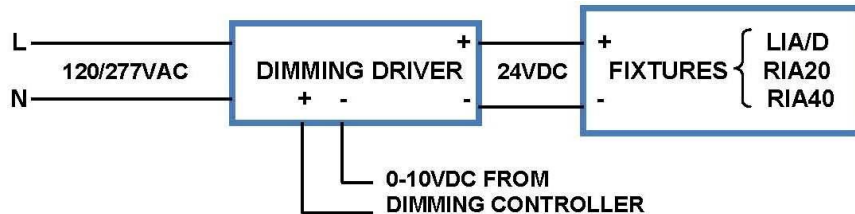
DIMMING METHODS FOR LINEAR ARRAYS

For Series LIA/D, RIA20, RIA40

Method 1 - Using 0-10VDC Dimming Module



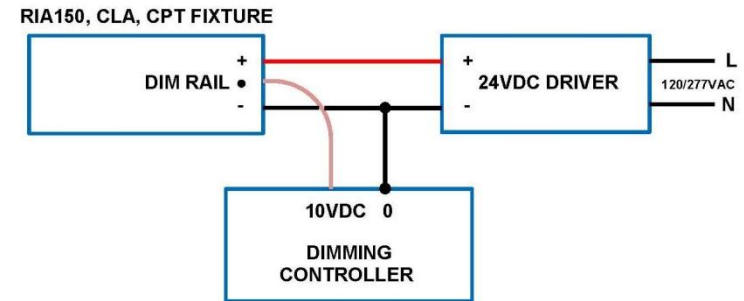
Method 2 - Using 0-10VDC Dimming Driver



Series **LIA/D, RIA20 and RIA40** fixtures require Dimming Modules or Dimming Drivers that use pulse width modulation (PWM) as the method of dimming fixtures. Care should be taken not to exceed output power ratings of both modules and drivers in calculating loads. See separate catalog page for ratings.

For Series RIA150, CLA, CPT

These Prolume arrays use standard constant voltage Class 2, 24VDC power supplies. **Special dimming drivers or separate interface modules are not required.** An additional DIM line in the wiring board is provided to allow fixtures to be dimmed. When dimming is specified, a third wire is provided in the termination to accept a 0-10VDC signal from the dimming controller (by others). The controller must be able to sink .5mA per foot of fixture load. Less than .5mA will be "off". If the controller cannot sink down to .5mA, a separate control or switch should be used to disconnect the AC line from the LED driver to turn the fixtures to full "off".



Multiple Driver Schematic

