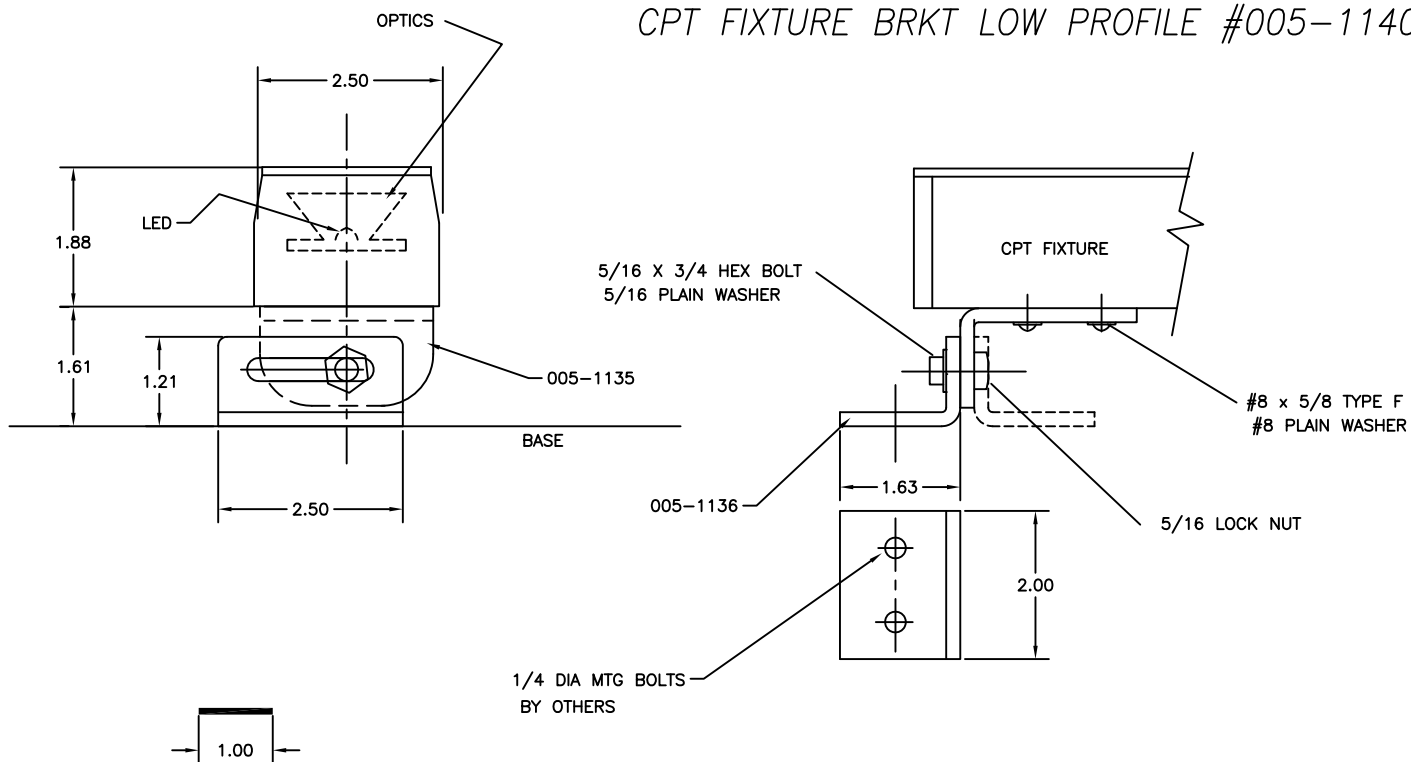
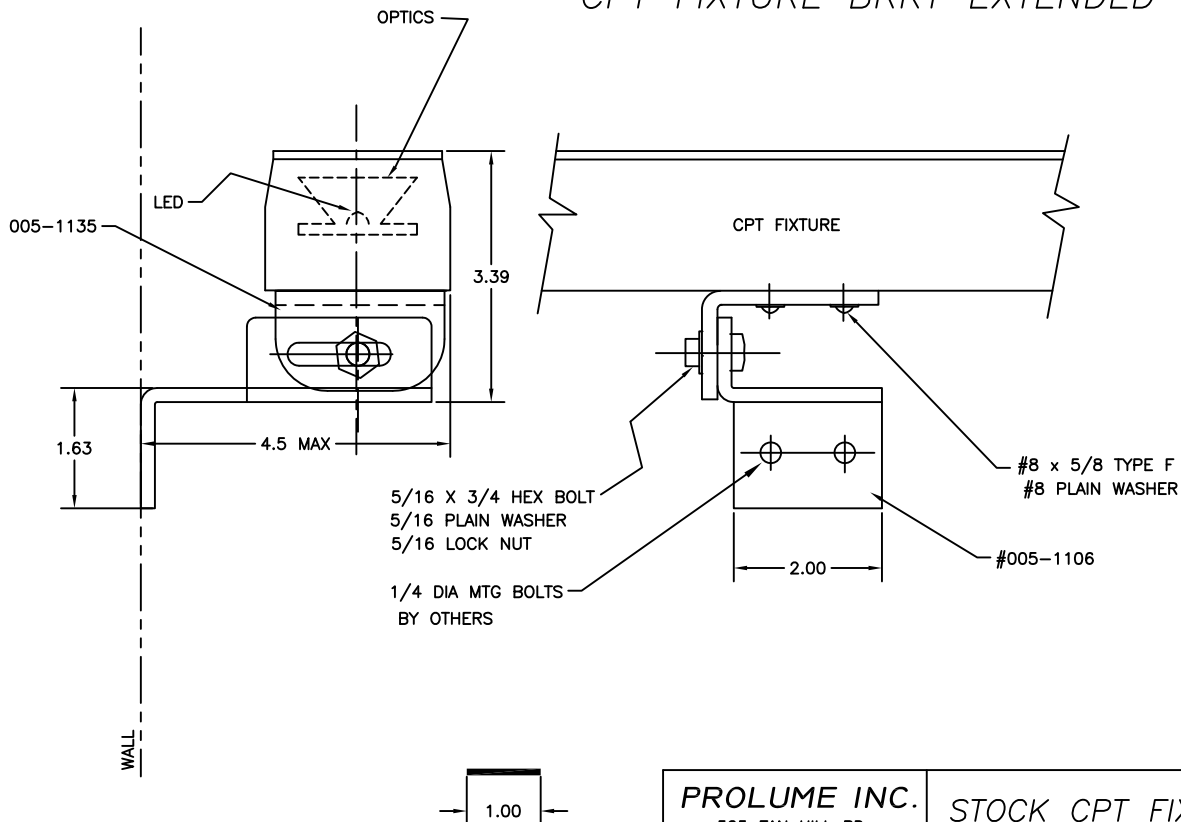


# CPT FIXTURE BRKT LOW PROFILE #005-1140



# CPT FIXTURE BRKT EXTENDED #005-1145



<b>PROLUME INC.</b> 525 FAN HILL RD MONROE CT 06468 QUALITY HIGH PERFORMANCE CUSTOM LED LIGHTING PRODUCTS INFO@PROLUMELED.COM 203-268-7778 fax 268-7855		<b>STOCK CPT FIXTURE BRACKETS</b> project ref:	
drawn by <b>RMJ 8.5.11</b>		DWG NO. <b>005-CPT</b>	
SCALE		SHEET	