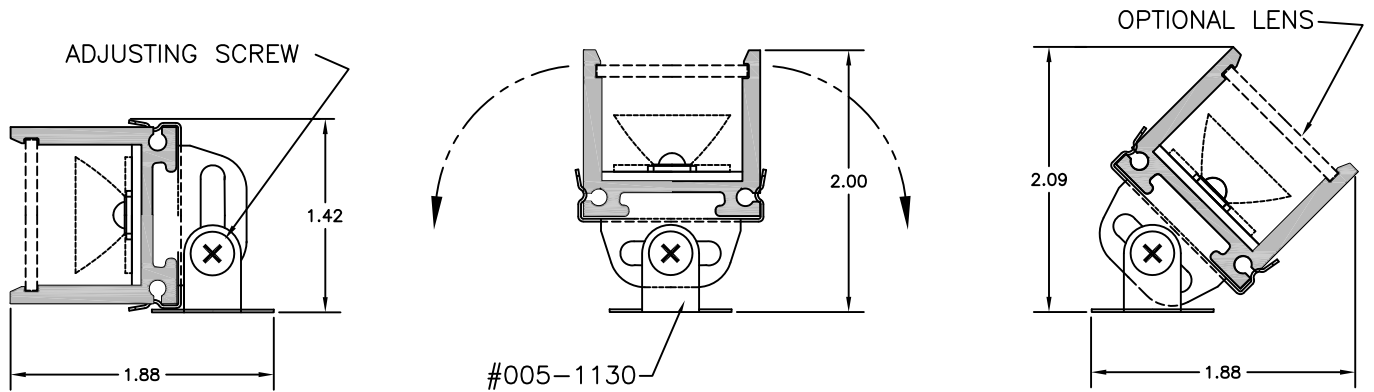
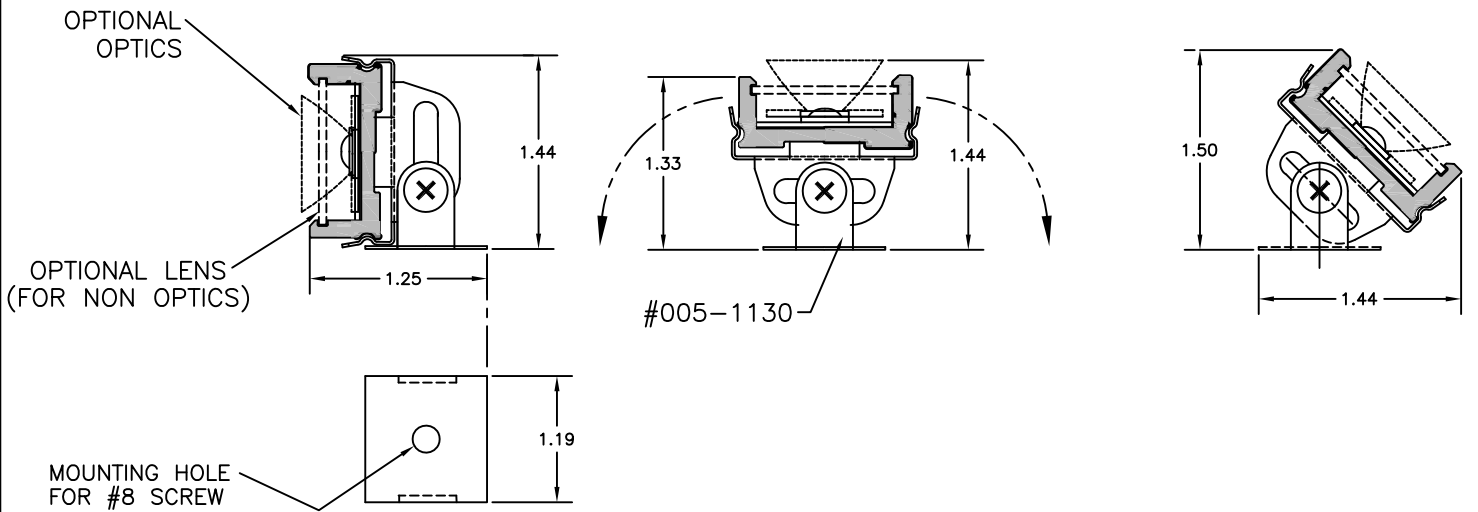


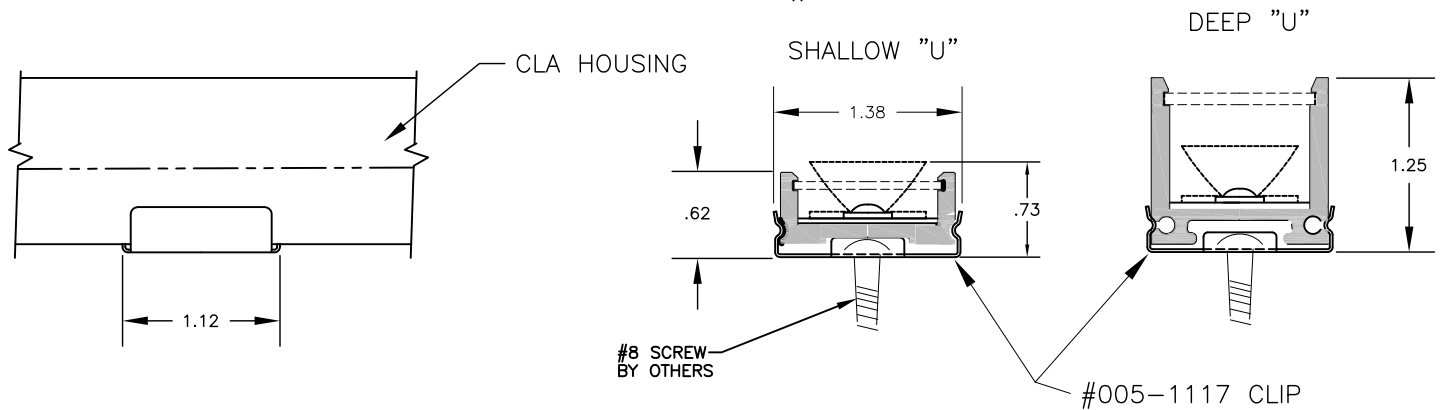
## ARTICULATING DEEP CHANNEL ("U") MOUNTING CLIP #005-1130



## ARTICULATING FLAT CHANNEL ("F") MOUNTING CLIP #005-1130



## FIXED MOUNT CLIP #005-1117



NOTE: USE (2) FOR <4' LENGTHS  
 USE (3) FOR 5'-7' LENGTHS  
 USE (4) FOR >7' LENGTHS

<b>PROLUME INC.</b> 525 FAN HILL RD MONROE CT 06468 QUALITY HIGH PERFORMANCE CUSTOM LED LIGHTING PRODUCTS INFO@PROLUMELED.COM 203-268-7778 fax 268-7855	description <b>CLA MOUNTING CLIPS</b>		
	project no:		
drawn by RMJ 6.17.14	DWG NO. 005-CLA-A	REV	
SCALE	SHEET		REV