



**Energy Efficient, High Quality,  
LED Lighting Products**

# SERIES CLA

**CUSTOM LINEAR ARRAYS  
with CREE® XLamp® XP-E LEDs**

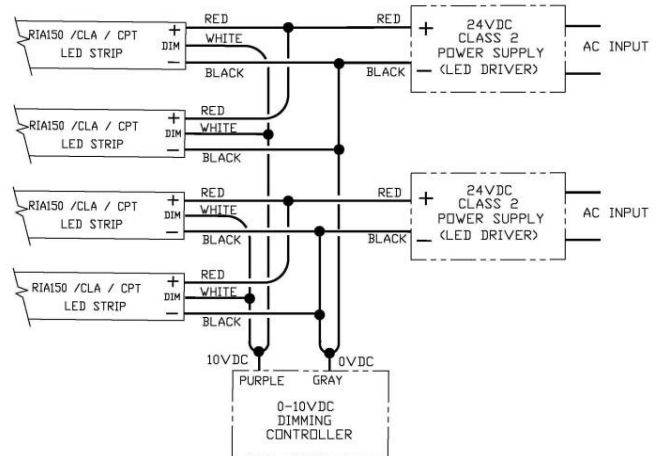
Prolume Series CLA lighting fixtures allow the custom design of hi-flux LED lighting in interior applications including cove and accent lighting, case lighting, back lighting, edge lighting, wall grazing and more. Key features include...

- **LEDs / Optics**  
Arrays use industry leading lumen performance high brightness CREE XLamp XP-E LEDs, ANSI binned in a CCT range from 2700°K to 5000°K, with a > 50,000 hour life to 70% lumen maintenance. LEDs can be fitted with secondary optics in a range of beam patterns from 15° to 115° to suite the application. Color LEDs available. Consult factory.
- **Electrical Design**  
A uniquely designed illumination board integrates LuxDrive™\* circuitry for current regulation and provides both electrical and thermal management of the LEDs. With operating efficiency at > 90%, energy is emitted as light with as little as 5% as heat. Arrays are rated at 24VDC with both standard and hi-output models available.  
\*LuxDrive is a registered trademark of LEDynamics
- **Array Styles**  
Extruded aluminum housings are custom to specific application lengths up to 144" and can be provided in flat channels or U-channels. Other custom designs can be tailored to application requirements. Standard white textured finish. Custom colors available. Consult Factory.
- **Approvals**  
UL Listed for indoor applications using Class 2 wiring methods



- **Dimming**  
Array design provides a third rail DIM line for dimming using a 0-10V *current sink* lighting control protocol. Special dimming drivers are not required. Wiring is shown below...

### Dimming Schematic



Note: The dimming controller must be able to sink .5mA per foot of connected arrays. Less than .5mA will be "off". If the controller cannot sink .5mA a separate control should be used to disconnect the AC from the LED driver to turn the arrays "off".

### Fixture Schedule

TYPE	Model Number

Job:

Remarks:



HIGHLY INNOVATIVE • TECHNOLOGY BASED • QUALITY LIGHTING PRODUCTS

525 Fan Hill Road • Monroe • Connecticut 06468  
Phone (800) EXIT-LED • FAX (203)268-7855  
[www.prolumeLED.com](http://www.prolumeLED.com)  
email: [info@prolumeled.com](mailto:info@prolumeled.com)

## POWER AND ILLUMINATION

POWER				LUMINOUS INTENSITY (Average Lumens / FT) <sup>(1)</sup>				
BASIC ARRAY	LED CURRENT	LED PITCH	W / FT <sup>(2)</sup>	CCT				
				2700°K	3000°K	3500°K	4000°K	5000°K
CLA3/2	350mA	2"	7.0	379	429	437	445	530
CLA5/2	500mA	2"	10.0	528	600	612	624	744
CLA3/1	350mA	1.2"	12.0	630	714	727	740	880
CLA5/1	500mA	1.2"	17.0	884	1004	1021	1037	1241

Lumen De-Rating Factors: Optics (.7) / Lens (.9) / Optics & Lens (.6) – Multiply factor by table lumens to get actual fixture lumens  
 Notes: (1) Measured after thermal stabilization of LED light engine. (2) Includes driver losses for sizing. (3) Available in U-Channel or custom array style only. Consult factory for custom styles. **CONSULT FACTORY FOR WIRING OPTIONS**

## LEDs and OPTICS

LED SELECTOR / ANSI Binned			
COLOR	CCT	CRI	ORDER SUFFIX
Warm White	2700°K	85	<b>W827</b>
Warm White	3000°K	85	<b>W830</b>
Neutral White	3500°K	85	<b>N835</b>
Neutral White	4000°K	85	<b>N740</b>
Cool White	5000°K	70	<b>C750</b>

Other CCT and CRI options may be available.  
 Color LEDs Available. Consult Factory

OPTICS / LENSING	
OPTICS / VIEWING ANGLE	ORDER SUFFIX
40° Wide	<b>W</b>
15° Spot	<b>S</b>
50° x 10° Elliptical	<b>E</b>
(NO OPTIC) 115° FWHM	<b>N</b>
LENSING (OPTIONAL)*	
Clear Lens	<b>C</b>
Diffused Lens	<b>D</b>

\*Other Lensing options may be available. Consult Factory

FLAT CHANNEL	F(*)	U-CHANNEL	U(*)	FLAT CHANNEL w / OPTIC	F	TUBE	T

\*ADD SUFFIX M FOR DAMP LOCATION (Silicon moisture barrier construction) / Consult Factory for Custom Channels

## ORDERING...

### BASIC ARRAY - LENGTH, ARRAY STYLE, LENS\* – LED – OPTIC / TERMINATION

#### EXAMPLE...MODEL CLA3/2 – 24FCM – W830 - N / 10TD

Basic Array **CLA3/2**, 350mA current, 2" pitch, 24" length, Flat channel mount, Clear lens, damp location Moisture barrier construction, Warm white 85 CRI 3000°K CCT LEDs, No optic and 10' Tray cable home run leads for Dimming. Mounting brackets and drivers ordered separately. See separate specification pages for drivers, mounting brackets and termination wiring options.