

HiCfx LUMA SERIES

Grazing ceilings, rotundas and naves at museums and government monuments across the country, the benefits of HiCfx have been recognized and specified to create stunning visual impressions by countless specifiers.

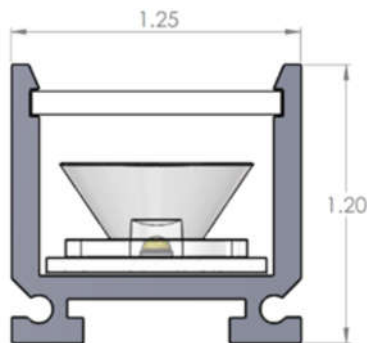
Manufactured in America and constructed of a rugged powder coated aluminum housing, the HiCfx utilizes industry leading optics to deliver superior lumen output in an attractive concealing envelope. Available with either standard and high output, the HiCfx includes onboard 0 – 10 V_{DC} dimming and can be mounted in either a fixed or articulating position to deliver the desired lighting solution for nearly any linear application.

Serving dry environments, with a damp environment option available, the HiCfx has excellent light throwing characteristics capable of satisfying the demanding needs of most specifiers and architects.

Features

- Made in America quality and craftsmanship
- Five CCTs and four colored LED standard options
- Customizable fixture lengths, CCT and CRI available
- Powder coated, low profile aluminum extrusion for seamless integration
- Fixed and articulating mounting options
- Fixtures can be daisy chained to form a longer run and energized from a single driver
- Onboard 0 - 10V_{DC} dimming circuitry

Mechanical Profile & Compliance



- All dimensions in INCHES



LOW VOLTAGE LINEAR LUMINAIRE



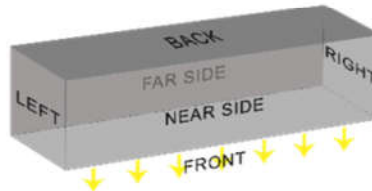
Specifications					
CCT	2700K	3000K	3500K	4000K	5000K
LED Pitch	1.2"				
Lumen Output					
Clear & SO	692	695	702	817	934
Frosted & SO	595	598	604	703	803
Clear & HO	870	891	913	979	1141
Frosted & HO	748	766	785	842	981
CRI	80+ & 90+				
Beam Angle	15°, 40°, 50x10°				
Lens	Clear & Frosted				
Dimmable	Yes				
On Board Dimming	Yes				
Construction	Aluminum & Plastic				
Housing	White Powder Coated Aluminum				
Fixture Length _{Min}	SO 6" HO 6"				
Fixture Length _{Max}	SO 78" HO 60"				
Ordering Increments	1"				
Daisy-Chain Capable	Yes				
Power Consumption _w	SO 11W HO 17W				
Efficacy _{lm/w}					
Clear & SO	63	63	64	74	85
Frosted & SO	54	54	55	64	73
Clear & HO	51	52	54	58	67
Frosted & HO	44	45	46	50	58
Power Supply	Class II				
Operating Voltage _{DC}	24V				
Fixture Connectors	Indoor PlugnGo, Outdoor PlugnGo, Flying Leads				
Fixture Mounting	Fixed Mounting Clip, Articulating Mounting Clip				
Environmental Rating	Dry				
Certifications	UL				
Warranty _{Limited}	5 years				
Product Dimensions _{wxh}	1.25 x 1.20 in				
Operating Temp Range	-40 to 140 °F				
Storage Temp Range	-40 to 180 °F				
Weight	0.68 lb / ft				

Specifications subject to change without prior notification

Ordering Information

Example: HCF-48S-850-15C-LE-IRX-FM

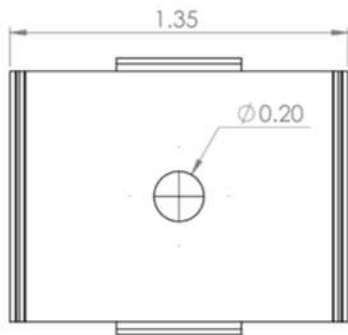
Product	Length ¹	Output	CRI ²	Color	Beam Angle	Lens	Ingress Cable Orientation	iPosition	Termination ³	Ingress Opposite Orientation ⁴	Egress Cable Position	Mount
HCF	##	SO HO	80+ 90+	27 30 35 40 50 RED GRN BLU AMB YLW	15 40 50x10	Clear Frosted	Left Right	End Back Nearside Farside	IPG OPG Fly	Right Left	X - None End Back Nearside Farside	FM - Fixed Mount AM - Articulating Mount



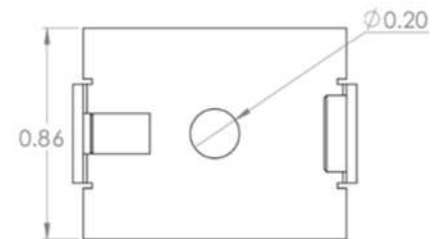
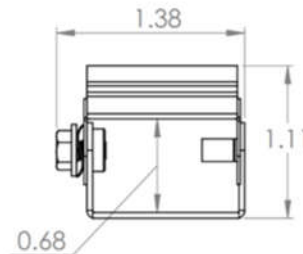
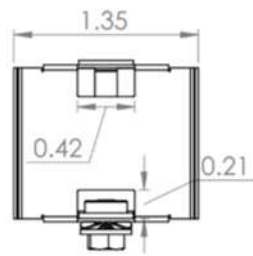
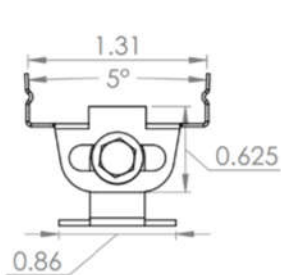
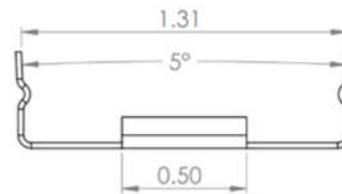
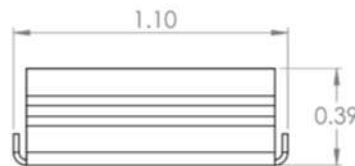
¹ Fixture length in inches, ² CRI does not apply to Colors; leave blank ³ Indoor PlugGo, Outdoor PlugGo or Flying leads ⁴ Will always be the opposite letter of the Ingress Cable Orientation (R or L)

Mounting Clips

Mounting Clips



Fixed Mounting Clip

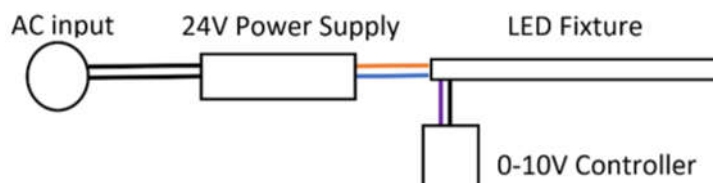


Articulating Mounting Clip

- All dimensions in INCHES

Dimming

The Luma Series of products are designed with a built-in dimming circuit that requires a 0 - 10 V_{DC} sinking dimming controller to properly function. Either a third party sinking dimmer controller can be used or select one of two available options in the LEDynamics LVD Series of dimmer solutions.



Prolume | (203) 268-7778 | www.Prolumeled.com