

CS DUO SERIES

LOW VOLTAGE LINEAR LUMINAIRE

The **Duo CS** once again proves that the whole is greater than the sum of its parts. Designed with a sleek contemporary flair, the **CS** blends into many venues and visually complements the surroundings. Once energized, the setting is transformed and engulfed by the fixture's crisp and clean illumination.

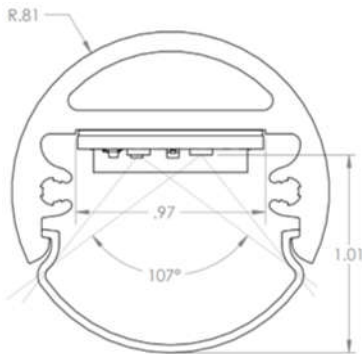
Based upon a dual row LED light engine design, the **CS** is available in both a standard and high output configuration capable of delivering over five-hundred-twenty-five (525+) lumens. The solid extruded aluminum envelop has a one-hundred-seven-degree (107°) lens opening and a beam angle of one-hundred-fifteen degrees (115°). Whether suspension or wall mounted, the **CS** can be articulated one-hundred-fifty-degrees (150°) to illuminate an area precisely.

Available in one inch increments up to ninety-six inches (96") or join with unions to create a single two-hundred-fifty-two inch (252") contiguous fixture length. Configurable as a daisy chain connection or with multiple fixtures connected to a single driver, the **CS** is only limited by the specifier's imagination and is certain create the desired striking visual impression wherever installed.

Features

- Made in America quality and craftsmanship
- Customizable fixture lengths, CCT and CRI available
- Five standard CCTs and custom options available
- Broad and even light distribution with zero pixelation
- Daisy chain or connect multiple fixtures to a single driver
- Ultra-light weight envelope of twelve ounces per foot

Mechanical Profile & Compliance



- All dimensions in INCHES



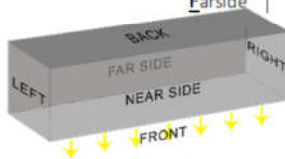
Specifications					
CCT	2700K	3000K	3500K	4000K	5000K
LED Pitch	Dual 0.5"				
Lumen Output					
SO	242	249	250	278	289
HO	442	456	459	511	528
SO - IP65	211	217	218	242	251
HO - IP65	376	388	390	434	449
CRI	80+ & 90+				
Beam Angle	115°				
Lens	Frosted				
Dimmable	Yes				
On Board Dimming	No				
Construction	Aluminum & Polycarbonate				
Housing Finish	Anodized Aluminum or White Powder Coat				
Fixture Length _{Min}	8"				
Fixture Length _{Max}	96"				
Ordering Increments	1"				
Power Consumption _w	SO 3.84W HO 7.68W				
Efficacy _{LM/W}					
SO	63	65	65	72	75
HO	58	59	60	67	69
SO - IP65	55	56	57	63	65
HO - IP65	49	50	51	57	58
Power Supply	Class II				
Operating Voltage _{dc}	24V				
Fixture Connectors	Indoor PlugnGo, Outdoor PlugnGo				
Fixture Mounting	Suspension Cable, Pendant Tube				
Fixture Extender	Aluminum Coupling				
Fixture Articulation	150°				
Environmental Rating	Dry, Damp & Wet (IP65)				
Certifications	UL				
Warranty _{Limited product}	5 years				
Size	Fixture End Cap 1.6" 1.88"				
Operating Temp Range	-40 to 120 °F				
Storage Temp Range	-40 to 150 °F				
Weight	0.75 lb / ft				

Specifications subject to change without prior notification

Ordering Information

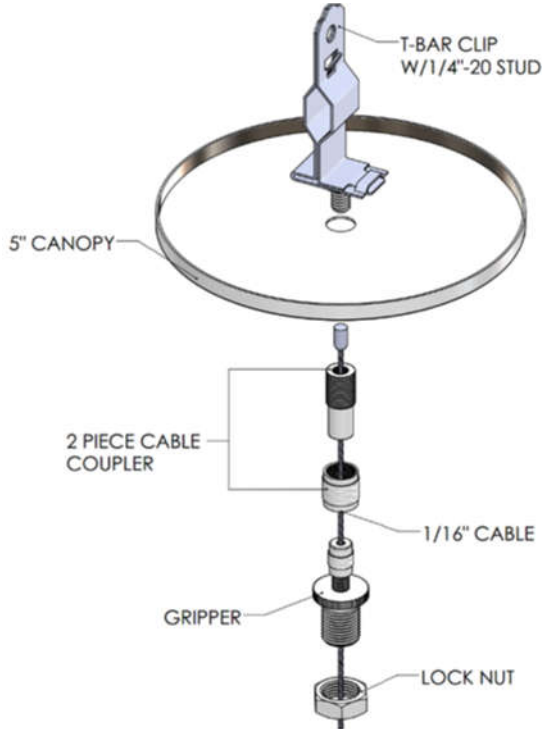
Example: CS-88H-950-115F-LE-IRX-SG

Product	Length ¹	Output	CRI	Color	Beam Angle	Lens	Cable Orientation	iPosition	Termination ²	Cable Orientation ³	ePosition	Mount	Accessory
CS Dry/Damp	##	SO	80+	27	115	Frosted	Left	End	IPG	Right	X - None	ST Tbar	None
CS65 - IP65		HO	90+	30			Right	Back	OPG	Left	End	SG Cable	Union
				35				Nearside			Back	PT - Pendant Tube	
				40				Farside			Nearside		
				50							Farside		

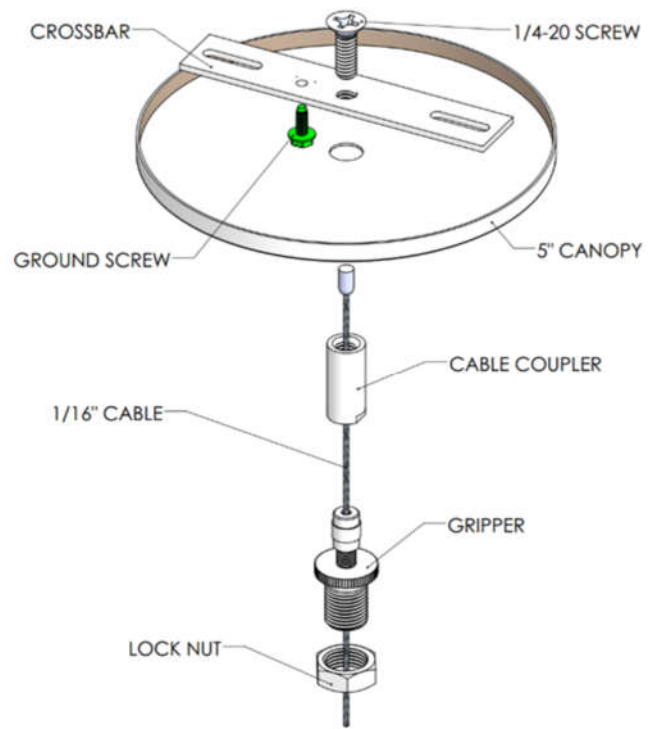


¹ Fixture length in inches. ² Indoor PlugnGo for Drv/Damo & Outdoor PlugnGo for IP67. ³ Will always be the opposite letter of the Ingress Cable Orientation (R or L)

Mounting Clips



Suspension TBar Grip



Suspension Cable Grip

Dimming

- All dimensions in INCHES

The **Duo Series** integrates on board constant current regulation and requires a constant voltage power supply input. Dimming of these fixtures is achieved via Pulse Width Modulation, PWM, to control the driver output. The two methods recommended for dimming are through use of an inline PWM dimming controller in conjunction with the constant voltage power supply, or through use of a dimming compatible driver that will output a PWM signal.

