

Chromatour PROFILE SERIES LOW VOLTAGE LINEAR LUMINAIRE

Designed as the intersection of high quality and cost effective, **Chromatour** is a RGBW linear luminaire like no other currently in the market. Leveraging state-of-the-art mid-power LED technology, **Chromatour** delivers maximum brightness, color consistency and efficiency in a small low voltage linear luminaire package.

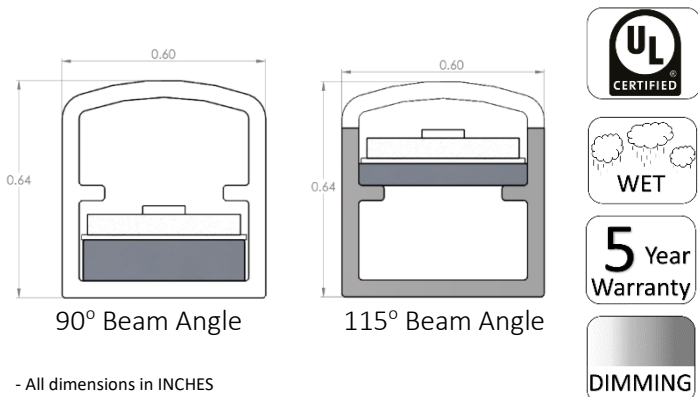
Chromatour is synonymous with lighting variety and allows you to add color accents to any space. Set the tone of the room with a vibrant red, cool blue, energetic green, illuminating white or any mixture imaginable. Complemented by a proprietary diffused lens, **Chromatour** will create a soft neon like glow or light up a plane with a clean and crisp illumination. Housed in a small and efficient profile, **Chromatour** is easy to conceal in a cove or under a cabinet while sufficiently powerful to deliver the desired illumination. Constructed with LEDs from industry leaders and implementing a very tight binning process, **Chromatour** ensures consistency in color temperature and hue across the entire length of the fixture.

With either fixed or articulating mounting options available and the ability to daisy chain multiple fixtures to a single driver, **Chromatour** is an ideal solution for applications where lighting requirements are dynamic and illumination variety is desired.

Features

- Made in America craftsmanship and quality
- RGBW in customized fixture lengths
- Ultra-low profile for seamless application integration
- Fixed and articulating mounting options
- Designed to work multiple control systems including DMX

Mechanical Profile & Compliance



Specifications					
CCT ¹	3000K	4000K	5000K	6000K	RGB
Range	2850K - 3300K	3800K - 4450K	4500K - 5300K	5550K - 6500K	
LED Pitch	0.5 in				
Lumen Output					
Clear & White	72	72	93	103	
Clear & RGBW	324	324	418	464	
Frosted & White	44	44	57	63	
Frosted & RGBW	196	196	253	281	
Domiant Wavelength					
Red					619 - 624
Green					520 - 535
Blue					460 - 475
CRI	80+				
Beam Angle	90° & 115°				
Lens	Clear & Frosted				
Dimmable	Yes				
On Board Dimming	No				
Housing	Polycarbonate body & lens				
Fixture Length	Min 4 Max 97 in				
Ordering Increments	3 in				
Power Consumption _(W/Ft)					
Single Channel - White					1.44
Four Channel - RGBW					5.76
Efficacy _(LM/W)					
Clear & White	50	50	64	72	
Clear & RGBW	56	56	73	81	
Frosted & White	31	31	39	44	
Frosted & RGBW	34	34	44	49	
Power Supply	Class II				
Operating Voltage _{DC}	24V				
Fixture Connectors	M12 & Outdoor PlugnGo				
Fixture Mounting	Very High Bond Tape, Spring, Articulating, Channel & Deep Channel Clip				
Environmental Rating	Wet				
Certifications	UL				
Warranty _{Limited}	5 years				
Product Dimensions _{WxH}	0.60 x 0.62 in				
Operating Temp Range	-40 to 130 °F				
Storage Temp Range	-40 to 150 °F				
Weight	0.15 lb / ft				

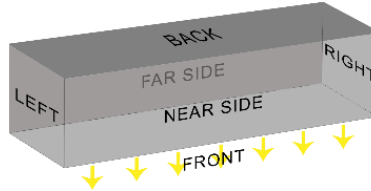
Specifications subject to change without prior notification. ¹ CCT

Chromatour

Ordering Information

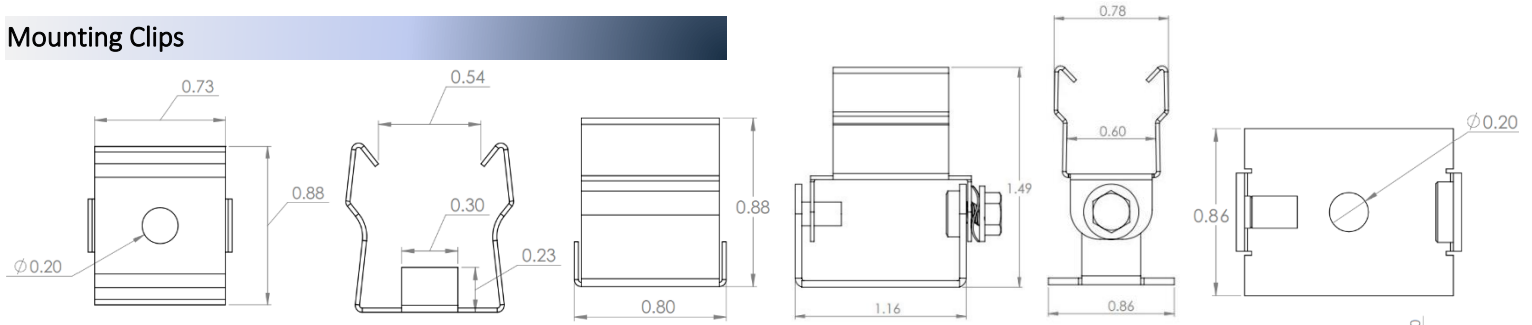
Example: CHR-72S-850F-90-LE-MRX-SC

Product	Length ¹	Output	CRI	CCT	Extrusion	Beam Angle	Ingress Cable Orientation	iPosition	Termination ²	Egress Cable Orientation ³	ePosition	Mount
CHR	##	SO	80+	30	Clear	90	Left	End	M12	Right	X - None	BT - Very High Bond Tape
				40	Frosted	115	Right	Back	OPG	Left	End	SC - Spring Clip
				50				Nearside			Back	AS - Articulating Spring Clip
				57				Far Side			Nearside	CC - Channel Clip
											Far Side	DC - Deep Channel Clip

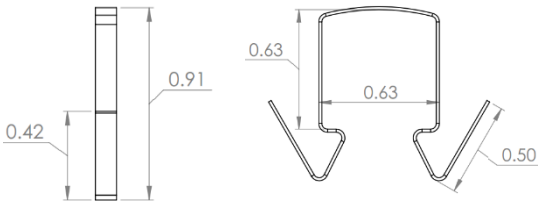


¹ Fixture length in inches, ² M12 can be wired in the field ³ Will always be the opposite letter of the Ingress Cable Orientation (R or L)

Mounting Clips

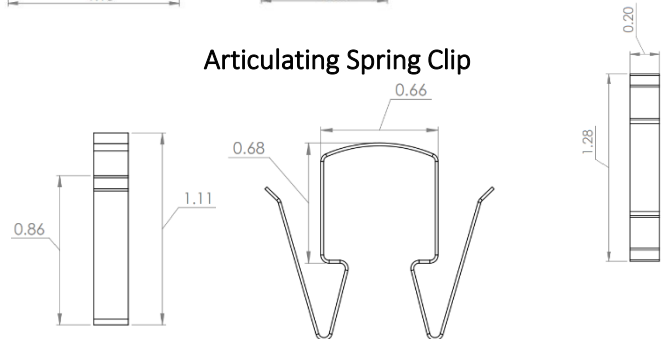


Stainless Spring Clip



Steel Channel Clip

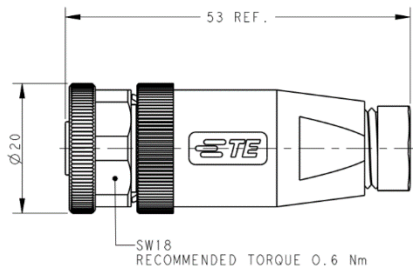
Articulating Spring Clip



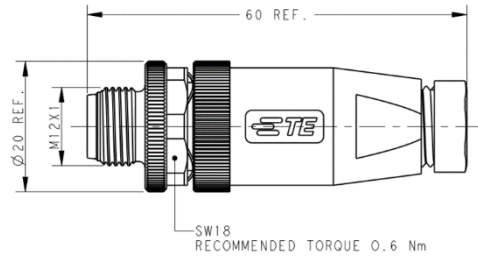
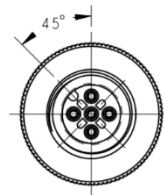
Deep Channel Clip

- All dimensions in INCHES

Termination



Female Female



Male Connector

The M12 is IP67 rated connector and can be terminated in the field by the installer.

Control

The versatile and robust architecture of **Chromatour** is designed to work with a wide variety of 24V_{DC} RGBW controls that are available in the marketplace. Contact your Prolume representative for specific questions related to your control plans or environment.