

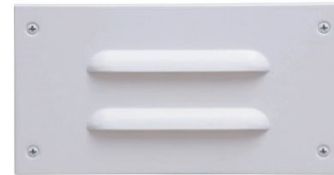


525 Nite-Glow

Low Voltage Night/Aisle Light

Sleek, stylish and designed with the needs of occupant and public safety. With a low profile recessed design, the 525 has become a standard for specifiers when night light or aisle lighting is required. Available in three different finishes, the louvers are designed to maximize light output with a clean cutoff while still delivering sufficient illumination to navigate a darkened room.

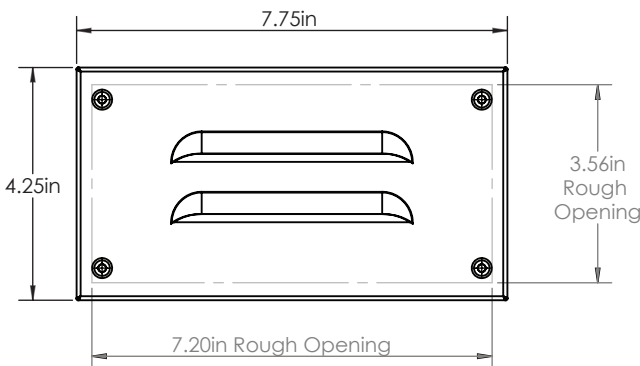
Designed with a state-of-the-art LED light engine for energy efficiency and a variety of white CCTs and colored LEDs option, the 525 can be configured to meet the specific needs of nearly any nightlight or aisle application and will deliver years of maintenance free performance. The 525 is also available with a through wall mounting option which allows a second satellite fixture to be mounted on an adjacent wall and powered via a low voltage connection from up to three feet away.



Features

- Made in America craftsmanship and quality
- Galvanized steel back box with folded and welded corners, and mounting tabs
- Five standard CCTs and four colored LEDs standard options available
- Through wall or satellite configuration capable
- Three standard louver options; contact factory for custom requirements

Mechanical Profile and Compliance



Specifications					
CCT	2700K	3000K	3500K	4000K	5000K
Lumen Output	35	42	43	45	49
CRI	80+ and 90+				
Power Consumption	1W				
Efficacy _{LM/W}	35	42	43	45	49
Operating Voltage	Universal Input 120-277VAC				
Power Supply	12Vdc Class II				
Dimmable	Non dimming				
On Board Dimming	No				

Lens	None
Construction	Steel, Plastic
Housing	Steel
Mounting	In Wall

Physical	7.75" L x 4.24" W x 0.45" D (Faceplate Only)
Dimensions	7.375" L x 3.6" W x 2.35" D (Backbox Only)
Environmental Rating	Damp, Wet ¹
Certifications	UL, RoHS
Warranty _{Limited}	5 Years
Operating Temp	-40° to 140° F
Storage Temp	-40° to 180° F
Weight	2 lbs

¹ Indoor Applications only, contact your local Prolume Agent for additional details.
 * All specifications subject to change without prior notification.

Ordering Information

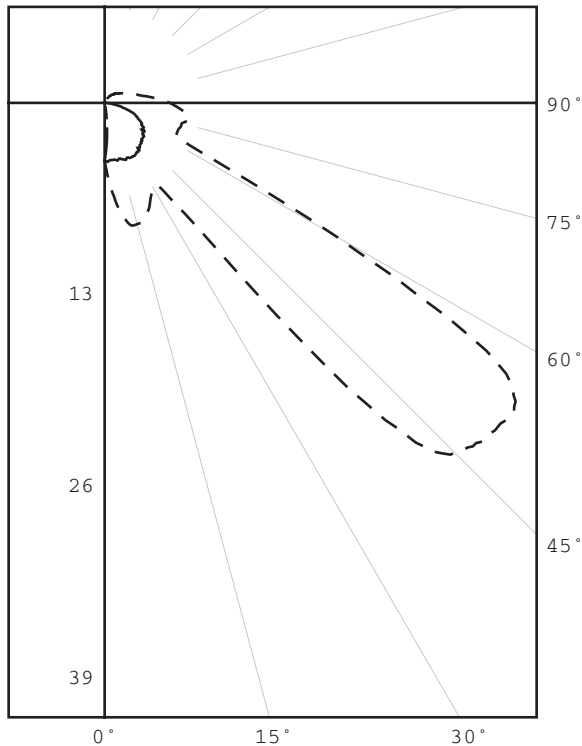
Example: 525-FS-827-WHM-D-PC

Product ID	Type	Config	CRI	Color	Plate ²	Screws	Env	Accessory
<u>525</u>	<u>Fixture</u> <u>Retrofit</u>	<u>Single</u> <u>Double</u>	<u>80+</u> <u>90+</u>	<u>2700K</u> <u>3000K</u> <u>3500K</u> <u>4000K</u> <u>5000K</u> <u>AMBER</u> <u>BLUe</u> <u>GReeN</u> <u>RED</u>	<u>None</u> ³ <u>WH</u> ite ⁴ <u>BL</u> ack <u>ST</u> ainless	<u>None</u> ³ <u>M</u> atching <u>T</u> amper Proof	<u>None</u> ³ <u>D</u> amp <u>W</u> et ⁵	<u>None</u> <u>Photo</u> <u>C</u> ell ⁶

- ² Custom colors available upon request.
- ³ Retrofits available with or without faceplate.
- ⁴ White includes an antimicrobial finish.
Can be added to other colors.
- ⁵ Indoor applications only.
- ⁶ Separate Accessory options with a dash (-)

Photometric Data

PHOTOMETRIC CURVE



LEGEND
 0-deg - - - - -
 90-deg = = = = =
 180-deg - - - - -

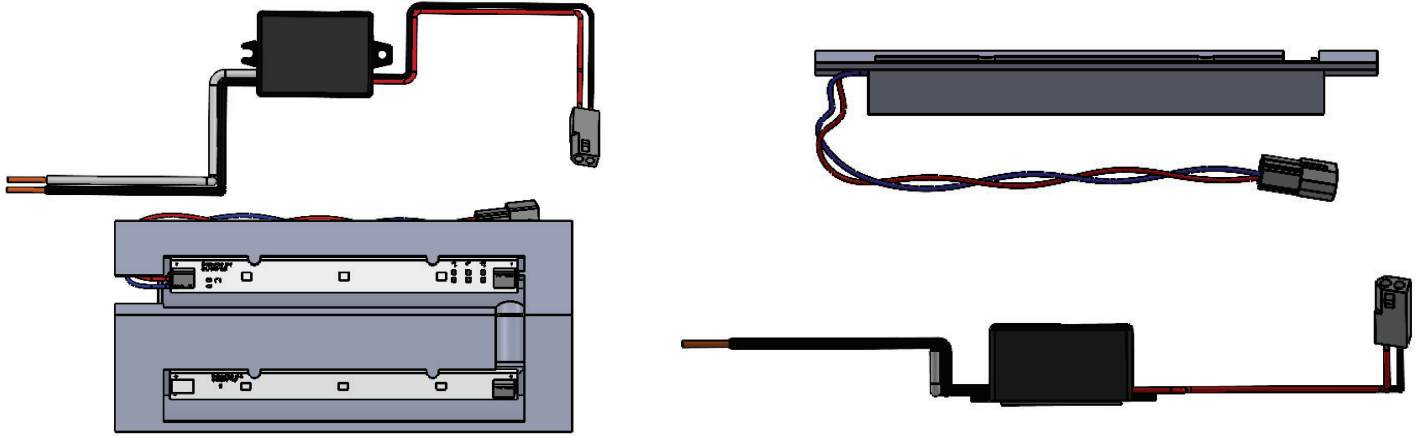
Zonal Lumens

Zone	Lumens
0	0
0-10	0.4
10-20	1.2
20-30	1.8
30-40	2.5
40-50	6.2
50-60	9.2
60-70	5.6
70-80	2.7
80-90	1.8
90	0.7

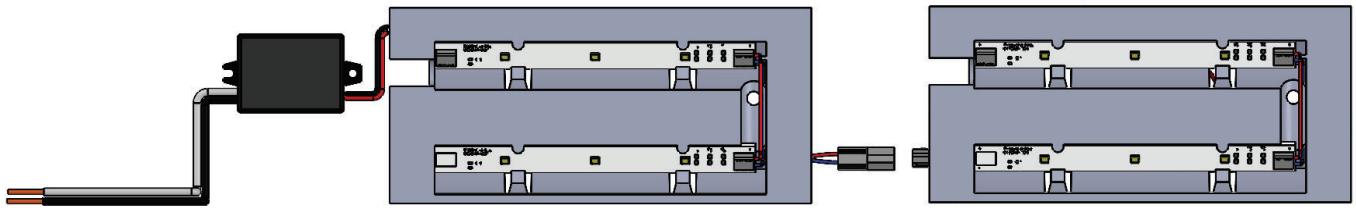
LUMENS: 34lm
 LPW: 27 LPW
 CCT: 3000K
 WATTS: 1.29W

TESTED ACCORDING TO IESNA LM-79-2008

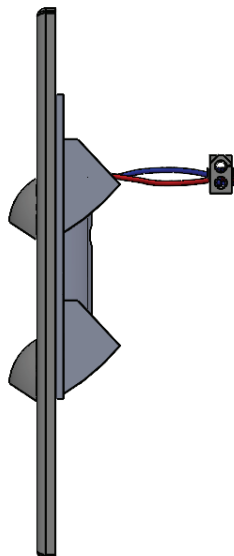
Retrofit Kits



Single Retrofit

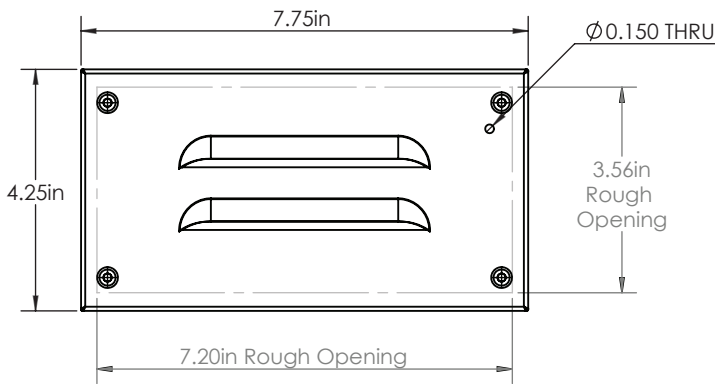


Double Retrofit

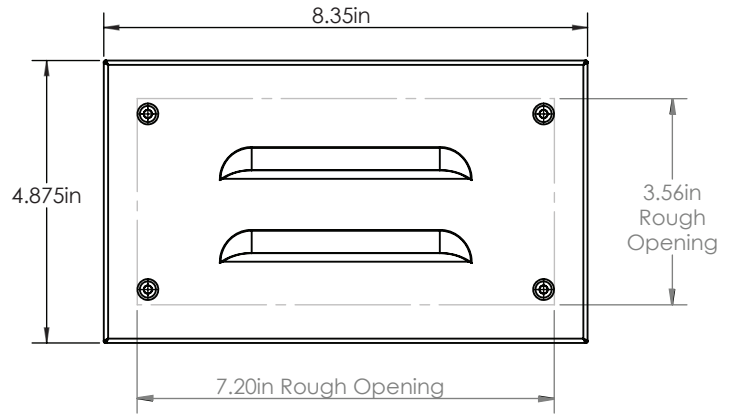


Retrofit Attached to Faceplate

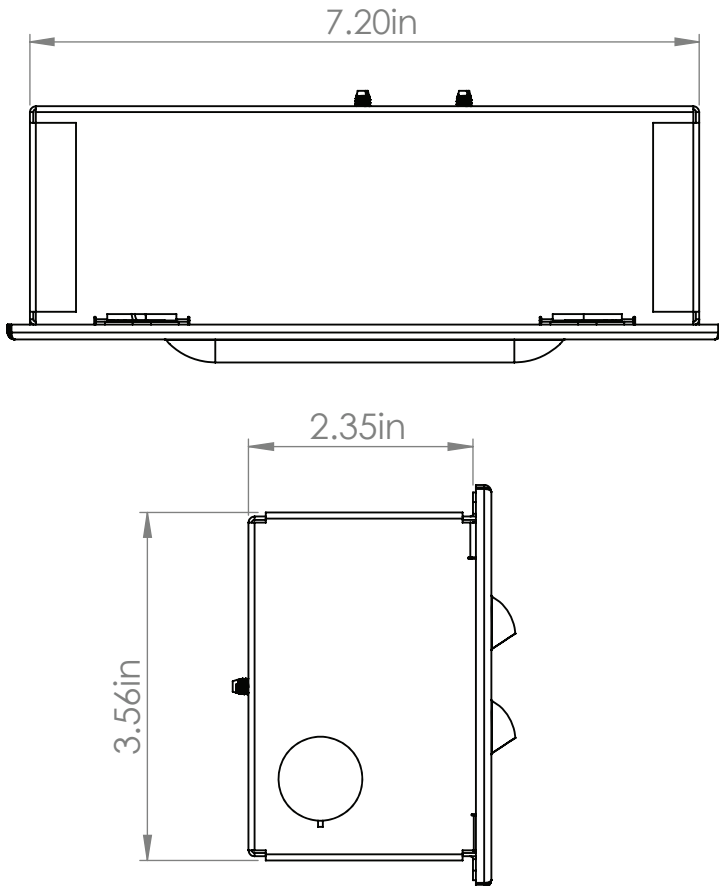
Mechanical Drawings



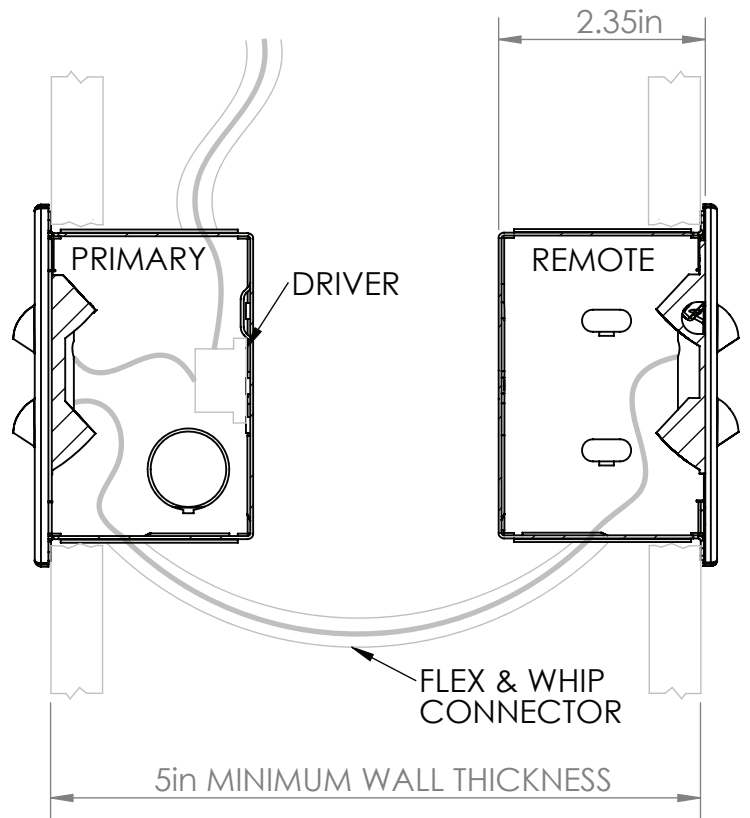
Dry/Damp Faceplate



Wet Faceplate



Housing



Primary and Remote